



Chipsmall Limited consists of a professional team with an average of over 10 year of expertise in the distribution of electronic components. Based in Hongkong, we have already established firm and mutual-benefit business relationships with customers from,Europe,America and south Asia,supplying obsolete and hard-to-find components to meet their specific needs.

With the principle of “Quality Parts,Customers Priority,Honest Operation,and Considerate Service”,our business mainly focus on the distribution of electronic components. Line cards we deal with include Microchip,ALPS,ROHM,Xilinx,Pulse,ON,Everlight and Freescale. Main products comprise IC,Modules,Potentiometer,IC Socket,Relay,Connector.Our parts cover such applications as commercial,industrial, and automotives areas.

We are looking forward to setting up business relationship with you and hope to provide you with the best service and solution. Let us make a better world for our industry!



Contact us

Tel: +86-755-8981 8866 Fax: +86-755-8427 6832

Email & Skype: info@chipsmall.com Web: www.chipsmall.com

Address: A1208, Overseas Decoration Building, #122 Zhenhua RD., Futian, Shenzhen, China



UNCONTROLLED DOCUMENT

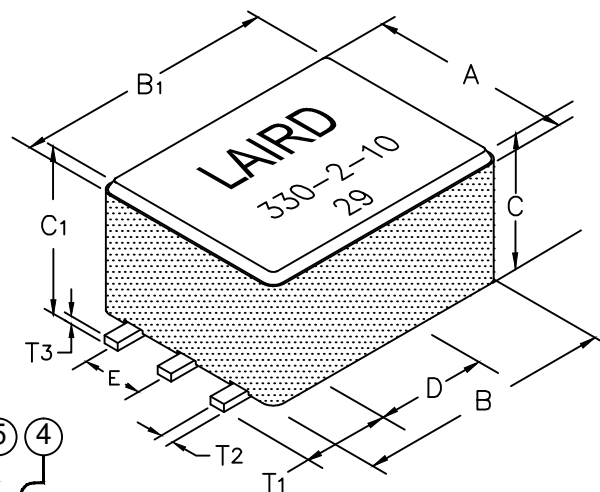
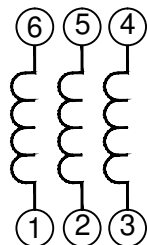
29F0330-2SR-10

PHYSICAL DIMENSIONS:

A	8.33 [.328]	± 0.13 [.005]
B	10.87 [.428]	± 0.15 [.006]
B1	13.46 [.530]	MAX
C	6.35 [.250]	± 0.10 [.004]
C1	7.11 [.280]	MAX
D	7.62 [.300]	± 0.13 [.005]
E	2.54 [.100]	± 0.13 [.005]

WIRE DIMENSIONS:

T ₁	2.64 [.104]	± 0.25 [.010]
T ₂	0.64 [.025]	TYP
T ₃	0.38 [.015]	TYP

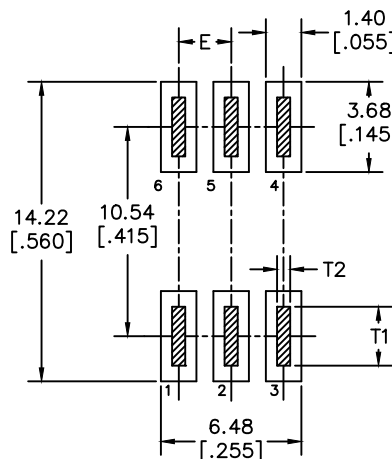


ELECTRICAL CHARACTERISTICS:			
Z @ 100MHz (Ω)	DCR (Ω)	Rated Current	
Nominal	200		
Minimum	150		
Maximum	250	0.01	9,000 mA

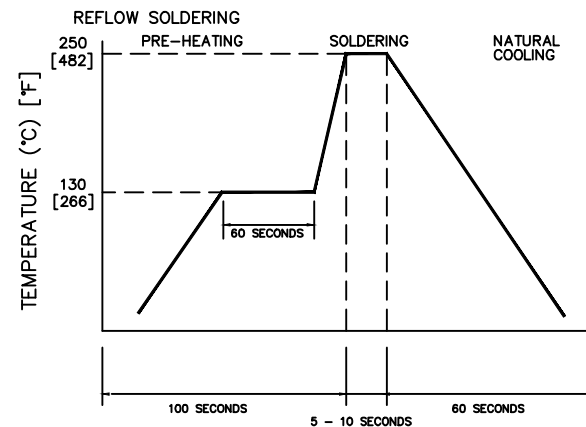
NOTES: UNLESS OTHERWISE SPECIFIED

1. TAPED AND REELED per CURRENT EIA SPECIFICATION, 13" REELS, 450 PCS/REEL.
2. COMPONENTS SHOULD BE ADEQUATELY PREHEATED BEFORE SOLDERING.
3. REF. CARRIER TAPE SPEC.# CART330-23.
4. TERMINATION FINISH IS 100% TIN.
5. THIS PART HAS NO PIN POLARITY.
6. OPERATION TEMPERATURE (INCLUDING SELF-HEATING): -40 ~ +125°C.

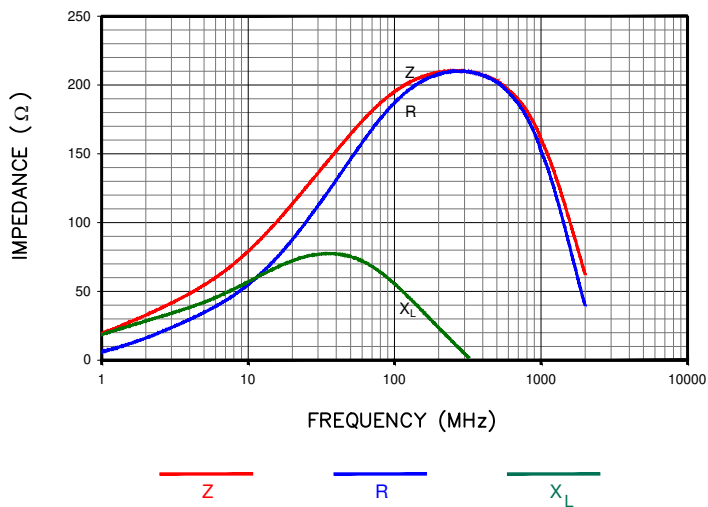
LAND PATTERNS FOR REFLOW SOLDERING



RECOMMENDED SOLDERING CONDITIONS



|Z| , R, AND X vs. FREQUENCY



DIMENSIONS ARE IN mm [INCHES]			
G	ADD NOTE 6	08/30/12	QIU
F	CHANGE THE C1 DIMENSION	11/03/09	JUN
E	COR LAND PATTERN DIMS FROM 7.62MM	03/31/09	JRK
D	UPDATE COMPANY LOGO ADD EQUIV. CIRCUIT CHG KAPTON LABEL	10/27/08	JRK
C	UPDATE COMPANY LOGO	05/03/07	JRK
B	CORRECT REV BLOCK mm [INCHES]	10/20/06	JRK
A	ORIGINAL DRAFT	04/30/04	JRK
REV	DESCRIPTION	DATE	INT

This print is the property of Laird Tech. and is loaned in confidence subject to return upon request and with the understanding that no copies shall be made without the written consent of Laird Tech. All rights to design or invention are reserved.



PROJECT/PART NUMBER: 29F0330-2SR-10	REV G	PART TYPE: FERRITE ASSEMBLY	DRAWN BY: JRK
DATE: 04/30/04	SCALE: NTS	SHEET: 1 of 2	
CAD #: 29F0330-2SR-10-G-1	TOOL #: H0331		

