



Chipsmall Limited consists of a professional team with an average of over 10 year of expertise in the distribution of electronic components. Based in Hongkong, we have already established firm and mutual-benefit business relationships with customers from,Europe,America and south Asia,supplying obsolete and hard-to-find components to meet their specific needs.

With the principle of "Quality Parts,Customers Priority,Honest Operation,and Considerate Service",our business mainly focus on the distribution of electronic components. Line cards we deal with include Microchip,ALPS,ROHM,Xilinx,Pulse,ON,Everlight and Freescale. Main products comprise IC,Modules,Potentiometer,IC Socket,Relay,Connector.Our parts cover such applications as commercial,industrial, and automotives areas.

We are looking forward to setting up business relationship with you and hope to provide you with the best service and solution. Let us make a better world for our industry!



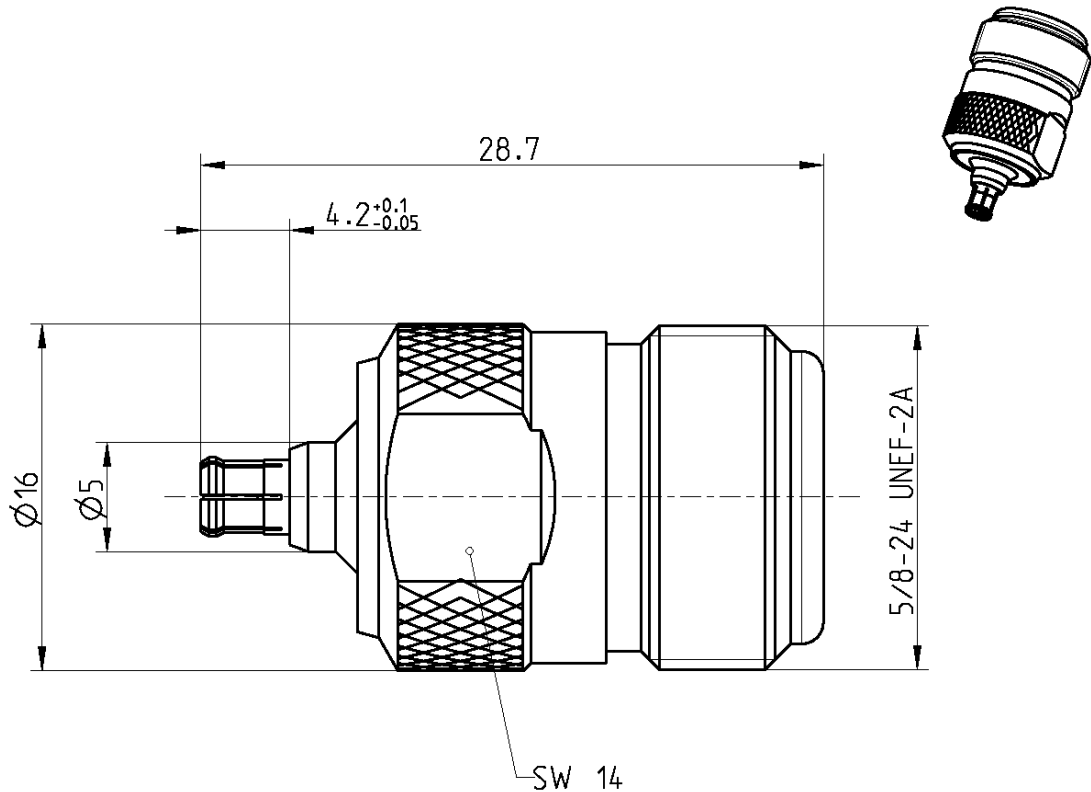
Contact us

Tel: +86-755-8981 8866 Fax: +86-755-8427 6832

Email & Skype: info@chipsmall.com Web: www.chipsmall.com

Address: A1208, Overseas Decoration Building, #122 Zhenhua RD., Futian, Shenzhen, China





All dimensions are in mm; tolerances acc. ISO 2768 m-H

Interface

According to	MCX side:	CECC 22 220, IEC 60169-36
	N side:	IEC 60169-16, MIL-PRF-39012, CECC 22210

Documents

N/A

Material and plating

Connector parts

Center contact
Outer contact MCX side
Outer contact N side
Dielectric

Material

Beryllium copper
Beryllium copper
Brass
PTFE

Plating

AuroDur, gold plated
AuroDur, gold plated
Nickel, 2.5-5 µm

**ADAPTOR
mcx plug – N JACK**

29S153-K00Z5

Electrical data

Impedance	50 Ω	
Frequency	DC to 6 GHz	
Return loss	≥ 30 dB, DC to 2 GHz	
	≥ 28 dB, 2 to 4 GHz	
	≥ 18 dB, 4 to 6 GHz	
Insertion loss	≤ 0.05 x √f(GHz) dB	
Insulation resistance	≥ 1 GΩ	
Center contact resistance	≤ 5.0 mΩ, MCX side;	≤ 1 mΩ, N side
Outer contact resistance	≤ 2.5 mΩ, MCX side;	≤ 0.25 mΩ, N side
Test voltage	750 V rms	
Working voltage	335 V rms	
Contact Current	1.5A DC max.	

Mechanical data

	MCX side	N side
Mating cycles	≥ 500	min. 500
Center contact captivation: axial	≥ 28 N	≥ 28 N
Engagement force	≤ 25 N	N/A
Disengagement force	8 N min. to 20 N max.	N/A
Coupling test torque	N/A	max. 1.7 Nm
Recommended torque	N/A	0.7 Nm to 1.1 Nm

Environmental data

Temperature range	-55°C to +155°C
Thermal shock	CECC 22 220, Chapter 4.6.7
Vibration	CECC 22 220, Chapter 4.6.3
Corrosion	CECC 22 220, Chapter 4.6.10
Moisture resistance	CECC 22 220, Chapter 4.6.6
RoHS	compliant

Tooling

N/A

Suitable cables

N/A

Weight

Weight 25.8 g/pce

While the information has been carefully compiled to the best of our knowledge, nothing is intended as representation or warranty on our part and no statement herein shall be construed as recommendation to infringe existing patents. In the effort to improve our products, we reserve the right to make changes judged to be necessary.

Draft	Date	Approved	Date	Rev.	Engineering change number	Name	Date
Inge Mühlauer	30/08/04	Sa. Krautenbacher	13.03.14	e00	14-0352	T. Krojer	13.03.14
Rosenberger Hochfrequenztechnik GmbH & Co. KG P.O.Box 1260 D-84526 Tittmoning Germany www.rosenberger.de					Tel.: +49 8684 18-0 Fax: +49 8684 18-499 email: info@rosenberger.de		Page 2 / 2