



Chipsmall Limited consists of a professional team with an average of over 10 year of expertise in the distribution of electronic components. Based in Hongkong, we have already established firm and mutual-benefit business relationships with customers from,Europe,America and south Asia,supplying obsolete and hard-to-find components to meet their specific needs.

With the principle of “Quality Parts,Customers Priority,Honest Operation,and Considerate Service”,our business mainly focus on the distribution of electronic components. Line cards we deal with include Microchip,ALPS,ROHM,Xilinx,Pulse,ON,Everlight and Freescale. Main products comprise IC,Modules,Potentiometer,IC Socket,Relay,Connector.Our parts cover such applications as commercial,industrial, and automotives areas.

We are looking forward to setting up business relationship with you and hope to provide you with the best service and solution. Let us make a better world for our industry!



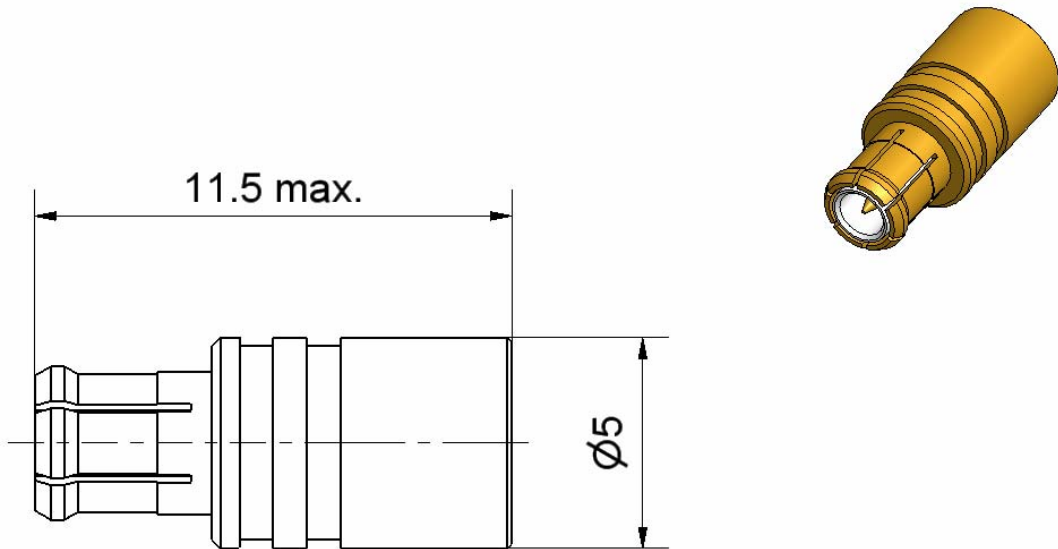
Contact us

Tel: +86-755-8981 8866 Fax: +86-755-8427 6832

Email & Skype: info@chipsmall.com Web: www.chipsmall.com

Address: A1208, Overseas Decoration Building, #122 Zhenhua RD., Futian, Shenzhen, China





All dimensions are in mm; tolerances according to ISO 2768 m-H

Interface
According to IEC 60169-36

Documents
N/A

Material and plating		
Connector parts	Material	Plating
Center contact	Brass	Gold, min. 1.27 µm, over nickel
Outer contact	Beryllium copper	Gold, min. 0.8 µm, over nickel
Dielectric	PTFE	
Substrate	Al ₂ O ₃	
Insulator	Silicone	

MCX TERMINATION
PLUG 1 WATT

29S15R-1.0E3

Electrical data

Impedance 50 Ω
 Frequency DC to 6 GHz
 Return loss ≥ 23.1 dB, DC to 4 GHz
 ≥ 17.7 dB, 4 to 6 GHz
 Center contact resistance ≤ 5 mΩ
 Outer contact resistance ≤ 2.5 mΩ
 Power handling 1 W at 25°C
 derated linearity to 0 Watts at 125°C

Mechanical data

Mating cycles ≥ 500
 Engagement force ≤ 25 N
 Disengagement force 8 N - 20 N
 Center contact captivation ≥ 10 N

Environmental data

Temperature range -55°C to +155°C

Tooling

N/A

Suitable cables

N/A

Packing

Standard 100 pcs in bag
 Weight 0.7 g/pce

While the information has been carefully compiled to the best of our knowledge, nothing is intended as representation or warranty on our part and no statement herein shall be construed as recommendation to infringe existing patents. In the effort to improve our products, we reserve the right to make changes judged to be necessary.

Draft	Date	Approved	Date	Rev.	Engineering change number	Name	Date
Kerstin Herzog	16/02/05	Frank Weiß	11/04/05	a00	04-0130	Siegmar Hoyer	15/03/05
Rosenberger Hochfrequenztechnik GmbH & Co. KG P.O.Box 1260 D-84526 Tittmoning Germany www.rosenberger.de					Tel.: +49 8684 18-0 Fax: +49 8684 18-499 email: info@rosenberger.de		Page 2 / 2