



Chipsmall Limited consists of a professional team with an average of over 10 year of expertise in the distribution of electronic components. Based in Hongkong, we have already established firm and mutual-benefit business relationships with customers from,Europe,America and south Asia,supplying obsolete and hard-to-find components to meet their specific needs.

With the principle of "Quality Parts,Customers Priority,Honest Operation,and Considerate Service",our business mainly focus on the distribution of electronic components. Line cards we deal with include Microchip,ALPS,ROHM,Xilinx,Pulse,ON,Everlight and Freescale. Main products comprise IC,Modules,Potentiometer,IC Socket,Relay,Connector.Our parts cover such applications as commercial,industrial, and automotives areas.

We are looking forward to setting up business relationship with you and hope to provide you with the best service and solution. Let us make a better world for our industry!



## Contact us

Tel: +86-755-8981 8866 Fax: +86-755-8427 6832

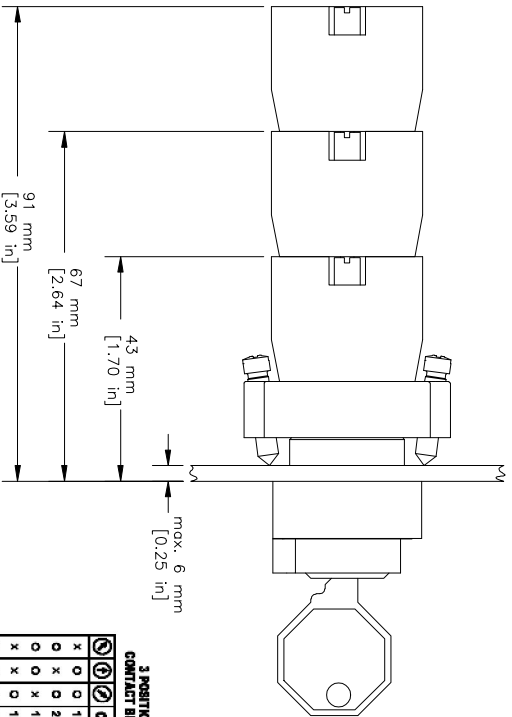
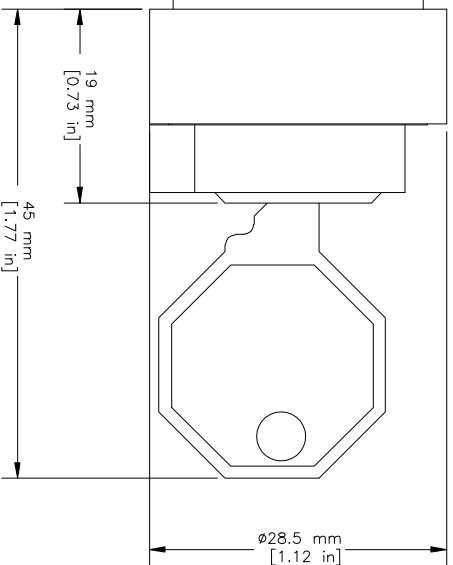
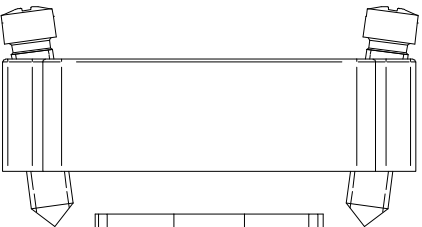
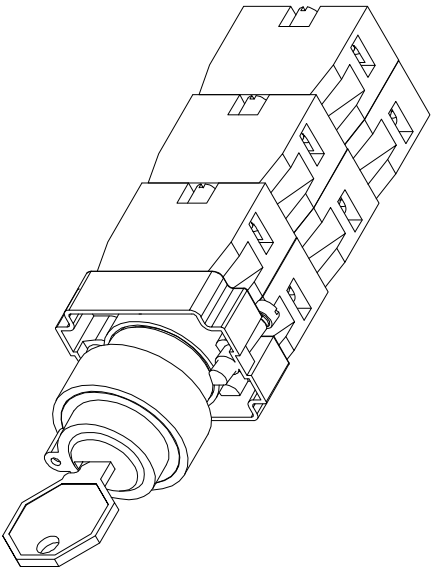
Email & Skype: info@chipsmall.com Web: www.chipsmall.com

Address: A1208, Overseas Decoration Building, #122 Zhenhua RD., Futian, Shenzhen, China



REV	CH. NO.	DESCRIPTION	DATE	REVISED BY
-	-	ORIGINAL DESIGN	10/31/07	Phil E.

REVISIONS FOR DWG # 1PB-2AK2-xx



3 POSITION SELECTOR SWITCH	
CONTACT BLOCK OPERATION GUIDE	
<input checked="" type="checkbox"/>	1 NO (left)
<input checked="" type="checkbox"/>	2 NC In center (slide x slide)
<input checked="" type="checkbox"/>	1 NO (right)
<input checked="" type="checkbox"/>	1 NC (right)
<input checked="" type="checkbox"/>	1 NC (left)
<input checked="" type="checkbox"/>	2 NO In parallel (slide x slide)

(Left or right as seen from front of operator)

ITEM	DESCRIPTION	CAT. NO.	DESCRIPTION	Key Removal	MIN. QTY.	MAX. QTY.
1	Key Selector(comes with mounting bracket ZBRK)	2AK2-01	Maintained	Left/Right	1	1
		2AK2-02	Maintained	Left/Right	1	1
		2AK2-03	Maintained	Right	1	1
		2AK2-04	Spring Return	Left	1	1
		2AK2-05	Maintained	Left/Right	1	1
		2AK2-06	Maintained	All	1	1
		2AK2-07	Maintained	Center	1	1
		2AK2-08	Spring Return	Center	1	1
		2AK2-09	Spring Return	Center	1	1
		2AK2-10	Spring Return	Center	1	1
		2AK2-11	Maintained	Left	1	1
2	Key (incl. in Key Selector)	2KY455	-	-	1	1
3	Mounting Bracket	ZBRK	-	-	1	1
4	Mounting Bracket Screws	incl. in ZBRK	-	-	2	2
5	Panel	-	-	-	-	-
		S1	-	Green	1	6
		S2	-	Red	1	6
		S3	-	Green/Gray	1	6
		S4	-	Red/Gray	1	6
6	Switch Contacts	-	-	-	1	6

UNLESS OTHERWISE SPECIFIED  
 • ALL DIMENSIONS ARE IN MILLIMETERS  
 • THIRD ANGLE PROJECTION

TOLERANCE

XX	±1 mm
XX X	±0.5 mm
XX.XX	±0.2 mm
ALL	- mm

35 Royal Road  
 Flemington NJ 08822-6000  
 (908) 806-9400 • Fax (908) 806-9490

1PB-2AK2-xx (xx=type)

SCALE: - SHEET: 1 OF: 1

REV: -