



Chipsmall Limited consists of a professional team with an average of over 10 year of expertise in the distribution of electronic components. Based in Hongkong, we have already established firm and mutual-benefit business relationships with customers from,Europe,America and south Asia,supplying obsolete and hard-to-find components to meet their specific needs.

With the principle of “Quality Parts,Customers Priority,Honest Operation,and Considerate Service”,our business mainly focus on the distribution of electronic components. Line cards we deal with include Microchip,ALPS,ROHM,Xilinx,Pulse,ON,Everlight and Freescale. Main products comprise IC,Modules,Potentiometer,IC Socket,Relay,Connector.Our parts cover such applications as commercial,industrial, and automotives areas.

We are looking forward to setting up business relationship with you and hope to provide you with the best service and solution. Let us make a better world for our industry!



Contact us

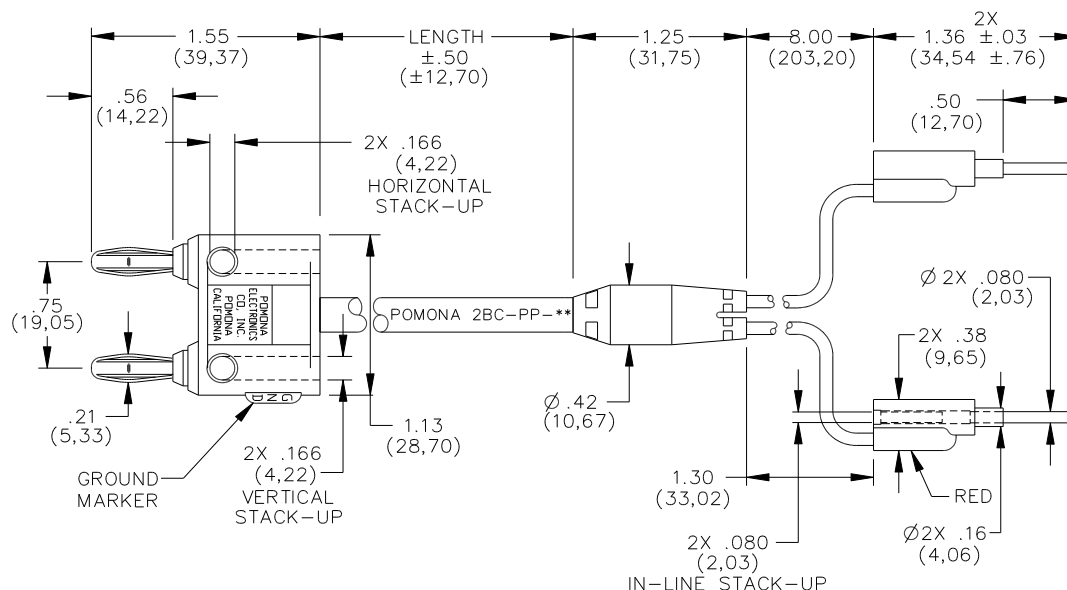
Tel: +86-755-8981 8866 Fax: +86-755-8427 6832

Email & Skype: info@chipsmall.com Web: www.chipsmall.com

Address: A1208, Overseas Decoration Building, #122 Zhenhua RD., Futian, Shenzhen, China



Model 2BC-PP Double Banana Plug To Stacking Pin Tips Cable Assembly



MATERIALS:

Double Banana Plug:

Plug Bodies: Brass, Nickel Plated

Springs: Beryllium Copper, Nickel Plated.

Insulation: Polypropylene Molded to the Plug Bodies and Cable. Color Matches Color of Cable.

Cable: RG-58C/U .195 (5,0) O.D., Color: Black, Marking: POMONA 2BC-PP-XX

Molded Breakout: PVC Molded to the Breakout Leads and Cable. Color Matches Color of Cable.

Breakout Leads: 20 AWG Stranding 41 x 36 t.c., PVC Insulated, .087 (2,21) O.D. Color Matches Color of of Pin Tip Plug.

Single Pin Tip Plugs:

Bodies: Brass, Gold Plated.

Stack-up Springs – Beryllium Copper, Gold Plated over Electroless Nickel.

Insulation: Polypropylene Molded to Pin Tip Bodies and Wire. Color: One Black and One Red.

RATINGS:

Operating Temperature: +50°C Max.

Operating Voltage: 1400 VRMS.

ORDERING INFORMATION: Model 2BC-PP-XX

XX = Cable Length, Standard Lengths: 36" (91,44cm), 48" (121,92cm) 60" (152,4cm).

Additional

Lengths can be quoted upon request.

Ordering Example: 2BC-PP-36 Cable Assembly is 36" (60,96cm)

All dimensions are in inches. Tolerances (except noted): .xx = ±.02" (.51 mm), .xxx = ±.005" (.127 mm).

All specifications are to the latest revisions. Specifications are subject to change without notice.

Registered trademarks are the property of their respective companies. Made in USA