



Chipsmall Limited consists of a professional team with an average of over 10 year of expertise in the distribution of electronic components. Based in Hongkong, we have already established firm and mutual-benefit business relationships with customers from,Europe,America and south Asia,supplying obsolete and hard-to-find components to meet their specific needs.

With the principle of “Quality Parts,Customers Priority,Honest Operation,and Considerate Service”,our business mainly focus on the distribution of electronic components. Line cards we deal with include Microchip,ALPS,ROHM,Xilinx,Pulse,ON,Everlight and Freescale. Main products comprise IC,Modules,Potentiometer,IC Socket,Relay,Connector.Our parts cover such applications as commercial,industrial, and automotives areas.

We are looking forward to setting up business relationship with you and hope to provide you with the best service and solution. Let us make a better world for our industry!



Contact us

Tel: +86-755-8981 8866 Fax: +86-755-8427 6832

Email & Skype: info@chipsmall.com Web: www.chipsmall.com

Address: A1208, Overseas Decoration Building, #122 Zhenhua RD., Futian, Shenzhen, China



Type 4, 4X Mild Steel and Stainless Steel Turret Units *Series 2000*

Modular Console System



Application

- Ideal as a housing for video screens.
- Flexible design provides panel mount or rack mount capabilities for a variety of applications.
- Generally used in combination with other modular console components (ie. base, pedestal, and/or desk).
- Available in either Standard (supported by Base, Pedestal, or Standard Desk) or Deep (supported by Deep Desk only) format.
- Smooth lines and clean edges provide an attractive, contemporary appearance.

Standards

- UL 508 Type 3R, 4, 12
- CSA Type 3R, 4, 12, 13
- EIA RS-310-D
- Complies with
 - NEMA Type 3R, 4, 12
 - IEC 60529, IP66

Construction

- UL 508 Type 3R, 4, 4X, 12
- CSA Type 3R, 4, 4X, 12
- EIA RS-310-D
- Complies with
 - NEMA Type 3R, 4, 4X, 12
 - IEC 60529, IP66

Finish

- Formed 14 gauge steel bodies with 14 gauge steel doors. Also offered with formed 14 gauge 304 stainless steel bodies with 14 gauge 304 stainless steel doors.
- Smooth, continuously welded seams without knockouts or holes.
- Body stiffeners are provided where required for increased strength and rigidity.
- Offered in 4 widths 24", 36", 48" and 60".
- Features solid sides and top, solid door on front (opens down) and back (opens up), and open bottom.
- Front door features sliding rod mechanism, which allows a 102° opening when in the lowered position.
- Rear door features manual, 3 position adjustable door stop which provides convenient support while door in open position.
- Formed lip on enclosure excludes flowing liquids and contaminants.
- Slotted quarter turn oil-tight latches secure the door, with optional tamper



resistant and locking latches available.

- Stainless steel models utilize stainless steel hardware.
- Oil resistant gaskets are permanently secured and mechanically retained.
- Features several internal stud locations for mounting of various accessories.
- A bonding screw is provided on the door and a grounding stud is provided in the enclosure.

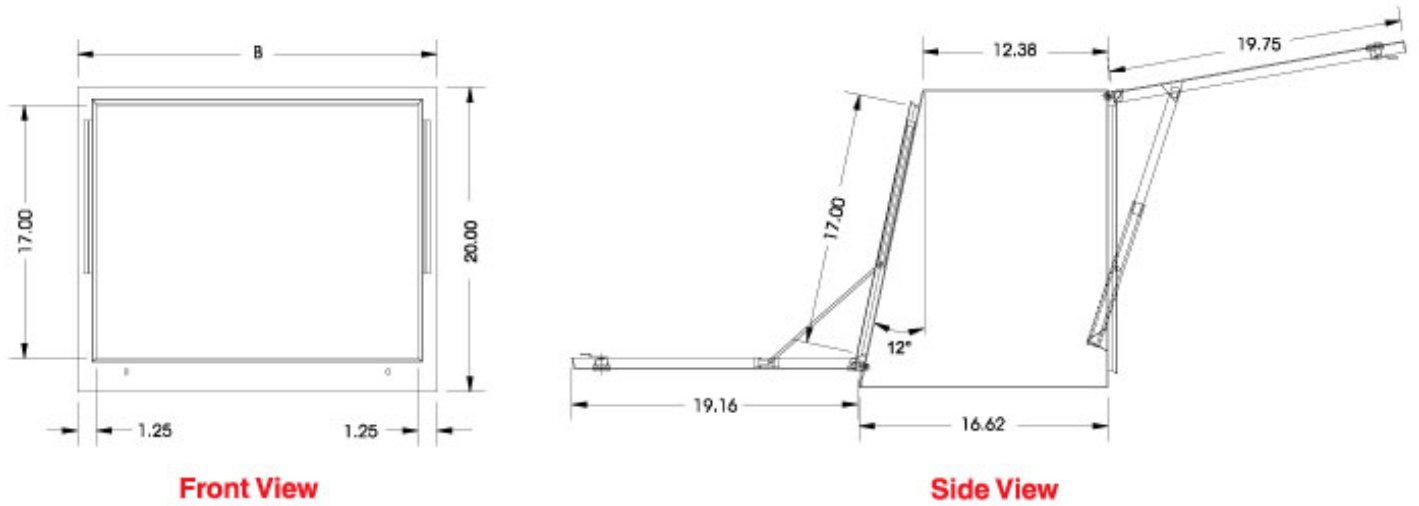
Accessories

- Available in RAL 7035 light gray textured powder coating and natural stainless steel with a smooth, brushed finish.
- 24" Front Window Door available in same finishes.

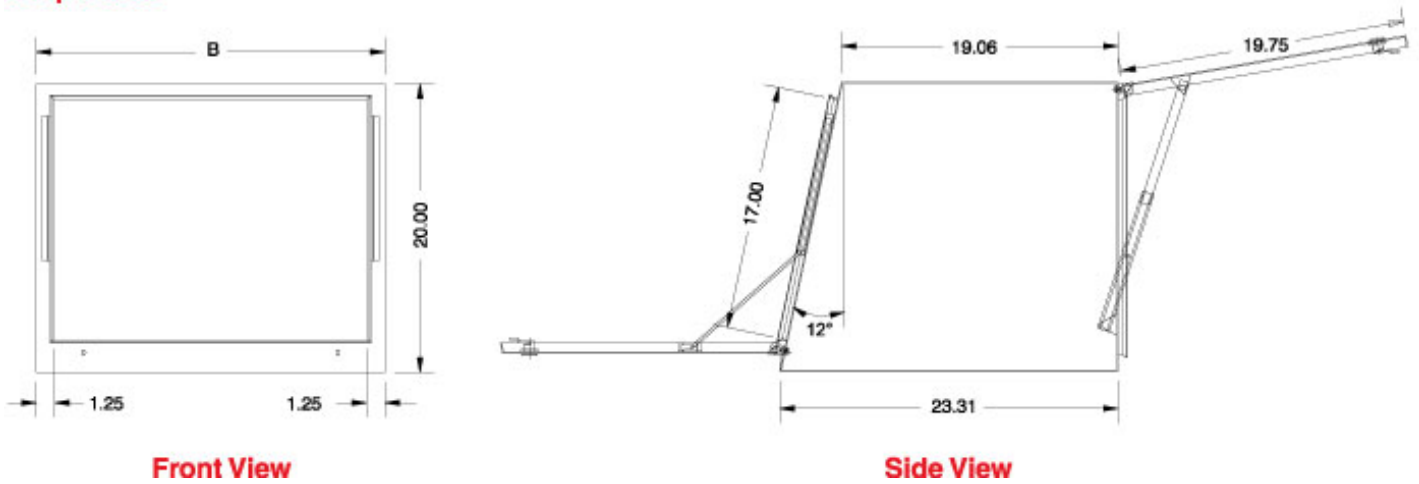
Accessories

- Cooling Products
- Filtered Fans
- Heaters
- Modular Plinth
- Turret/Terminal Window Door
- "C" Channel Mounting Kit
- Combination Rails
- Gas Filled Door Support
- 24 to 19 Inch Rack Rail Reducer Panel
- Side Support Angles
- Four Post Mounting Fixed Chassis Shelf
- Two Post Mounting Storage Shelf
- Blowers and Fans
- Rack Mount Fan Tray
- Pedestal
- Footrest
- Swing Frame
- Rail Support Kit
- CRT Mounting Kit
- Steel Rack Panels
- Rack Mount Locking Storage Drawer
- Four Post Mounting Equipment Slides
- Equipment Support Rack Panel
- Ground Wire Kits

Standard Turret



Deep Turret



Standard Turret

RAL 7035 Light Gray Part No.	Stainless Steel Part No.	B
2CLT202436	2CST202436	24.00
2CLT203636	2CST203636	36.00
2CLT204836	2CST204836	48.00
2CLT206036	2CST206036	60.00

Deep Turret

RAL 7035 Light Gray Part No.	Stainless Steel Part No.	B
2CLT202443	2CST202443	24.00
2CLT203643	2CST203643	36.00
2CLT204843	2CST204843	48.00
2CLT206043	2CST206043	60.00

Data subject to change without notice