



Chipsmall Limited consists of a professional team with an average of over 10 year of expertise in the distribution of electronic components. Based in Hongkong, we have already established firm and mutual-benefit business relationships with customers from,Europe,America and south Asia,supplying obsolete and hard-to-find components to meet their specific needs.

With the principle of “Quality Parts,Customers Priority,Honest Operation,and Considerate Service”,our business mainly focus on the distribution of electronic components. Line cards we deal with include Microchip,ALPS,ROHM,Xilinx,Pulse,ON,Everlight and Freescale. Main products comprise IC,Modules,Potentiometer,IC Socket,Relay,Connector.Our parts cover such applications as commercial,industrial, and automotives areas.

We are looking forward to setting up business relationship with you and hope to provide you with the best service and solution. Let us make a better world for our industry!



## Contact us

Tel: +86-755-8981 8866 Fax: +86-755-8427 6832

Email & Skype: info@chipsmall.com Web: www.chipsmall.com

Address: A1208, Overseas Decoration Building, #122 Zhenhua RD., Futian, Shenzhen, China



# 2IOM series

## Space Saving Mounting Boards for Slim Line Input/Output Modules



- LED status indicators, plug-in fuses & pull-up resistors
- Card edge, straight header, right-angle header and screw terminal logic connections
- Screw terminals for field wiring
- UL recognized/CSA certified for 125V max. with 5A fuses; 250V max. with #22 solid copper jumper wire instead of fuses

File E61482

File LR15734

Users should thoroughly review the technical data before selecting a product part number. It is recommended that users also seek out the pertinent approvals files of the agencies/laboratories and review them to ensure the product meets the requirements for a given application.

### Ordering Information - Boldface items listed below are more likely to be maintained in stock by authorized distributors.

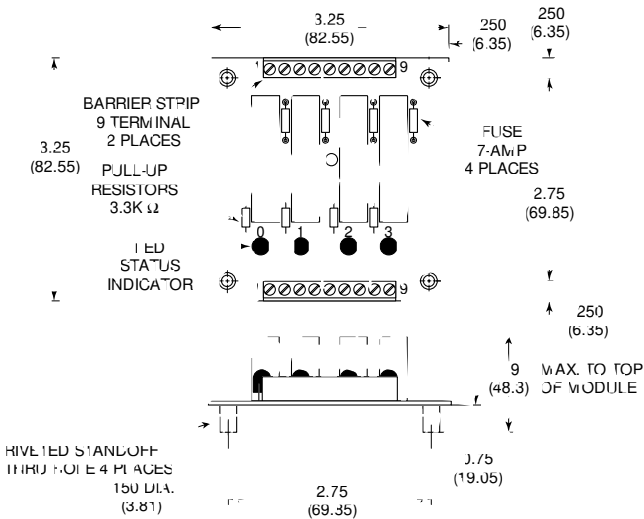
Part Number	2IOM4A	2IOM16	2IOM16A	2IOM16E	2IOM24	2IOM24D	2IOM32D
Number of I/O Channels	4	16	16	16	24	24	32
Number of Module Positions	4	16	16	16	24	24	32
Field Terminals: Screw Terminals	X	X	X	X	X	X	X
Logic Terminals: Screw Terminals	X		X				
Logic Terminals: 50-pin card edge connector		X			X	X	
Logic Terminals: 50-pin straight header						X	X
Logic Terminals: 50-pin right angle header				X			
Will accept 50-pin dual row header		X			X		
Designed for neg. true logic; one logic voltage	X	X	X	X	X	X	X

### Suggested Mating Connectors and Fuses

50-pin card edge connector	3M 3415-0001 <sup>1</sup>
50-pin header connector	AMP 7-1437021-4 <sup>1</sup>
5 amp fuse	Littelfuse 251-005 <sup>1</sup>
7 amp fuse <sup>3</sup>	Littelfuse 251-007 <sup>1</sup>
1 amp fuse <sup>2</sup>	Littelfuse 251-001 <sup>1</sup>

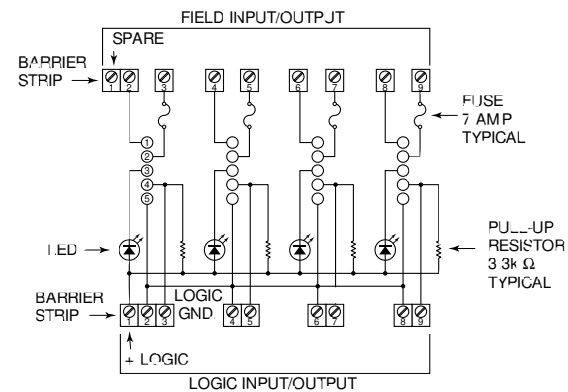
- Notes:**
1. Or equivalent. Customer assumes ultimate responsibility for applicability.
  2. Used only on 24 and 32 position models.
  3. Used only on 2IOM4A and 2IOM16A.

### 2IOM4A Outline Dimensions

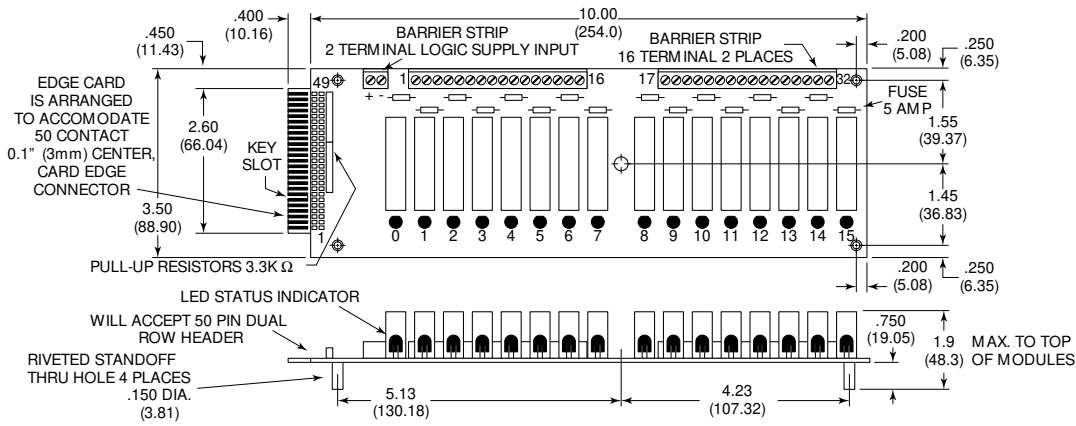


### 2IOM4A Schematic

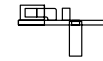
Designed to operate with neg. true logic (active low) systems & one logic voltage.



**2IOM 16 & 2IOM 16E Outline Dimensions**

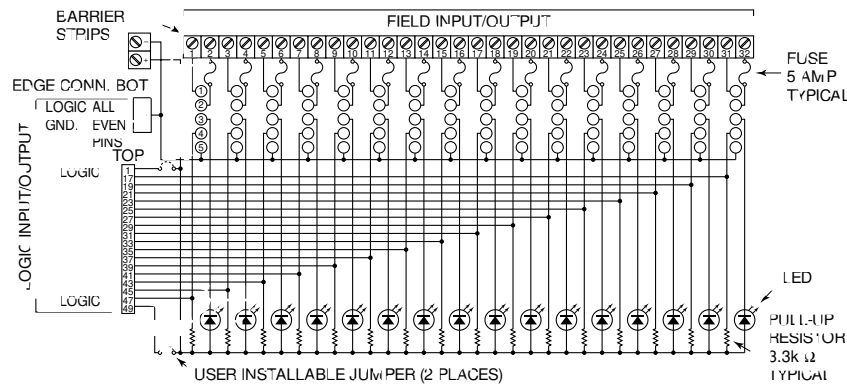


**2IOM 16E With Right-Angle Header**

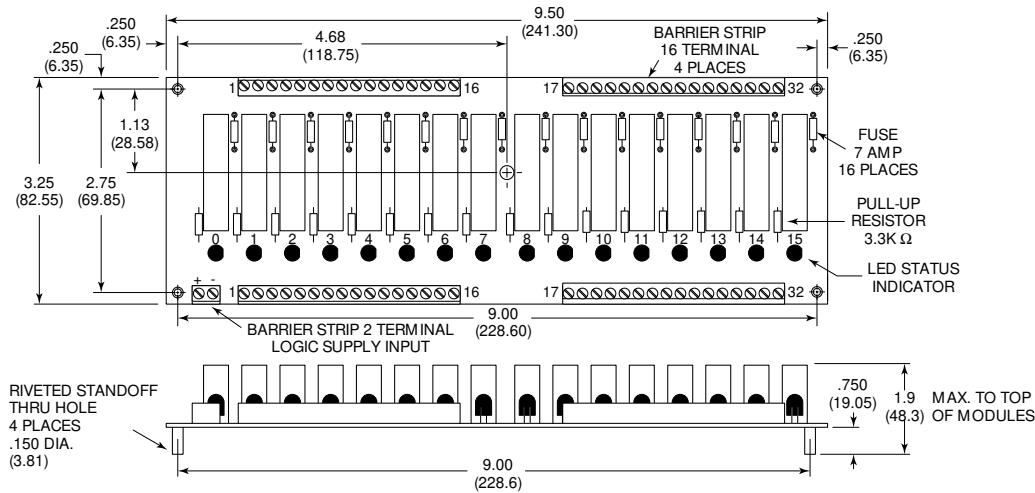


**2IOM 16 & 2IOM 16E Schematic**

Designed to operate with neg. true logic (active low) systems & one logic voltage.

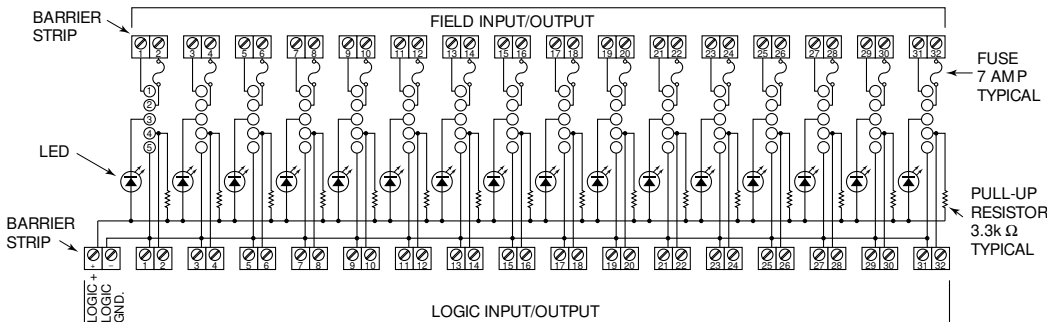


**2IOM 16A Outline Dimensions**

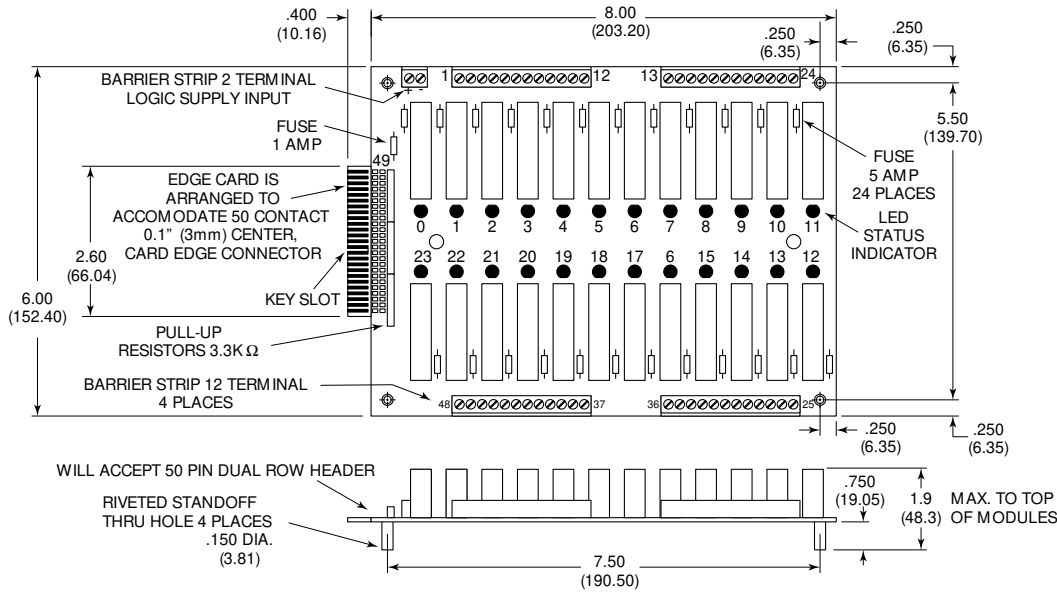


**2IOM 16A Schematic**

Designed to operate with neg. true logic (active low) systems & one logic voltage.



**2IOM24 & 2IOM24D Outline Dimensions**

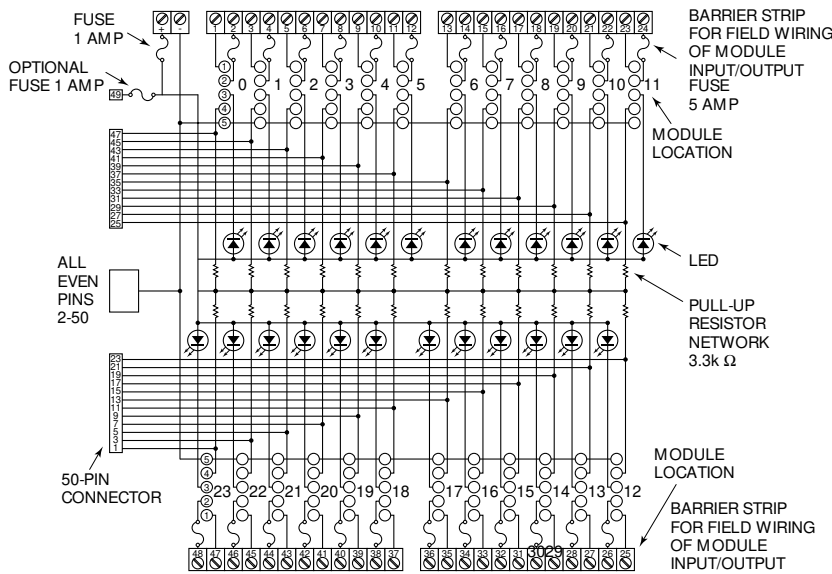


**2IOM24D With Straight Header**

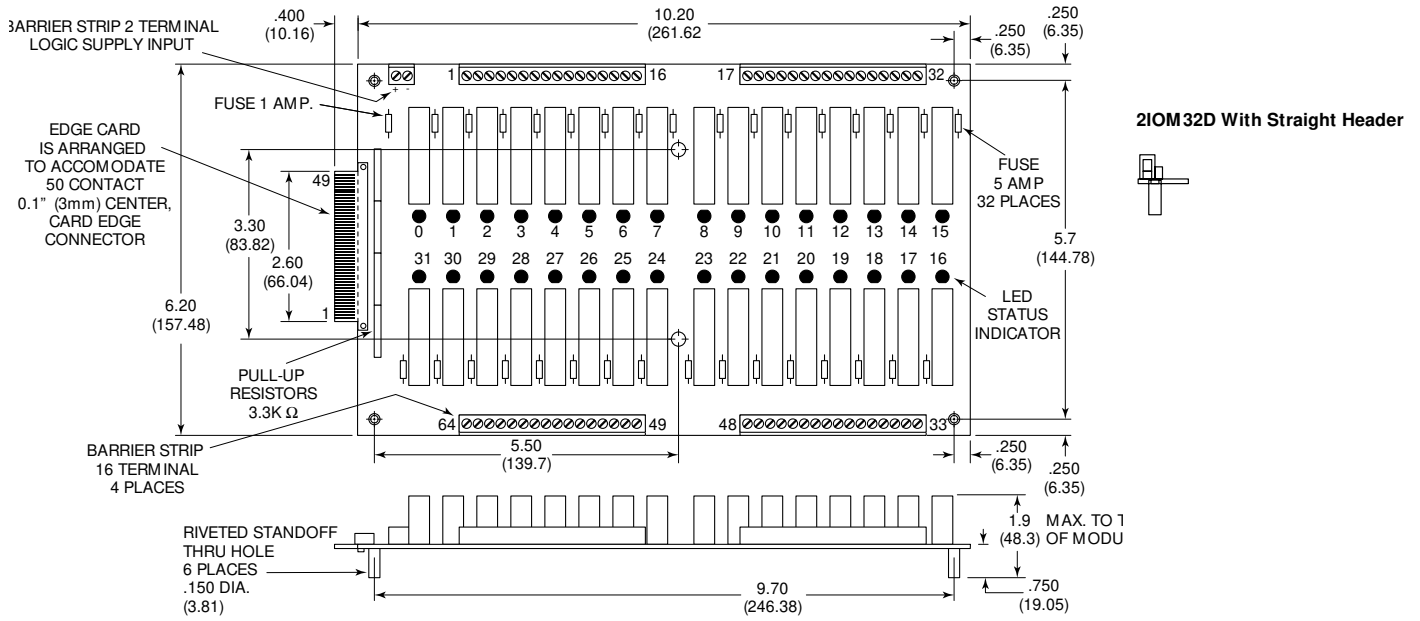


**2IOM24 & 2IOM24D Schematic**

Designed to operate with neg. true logic (active low) systems & one logic voltage.

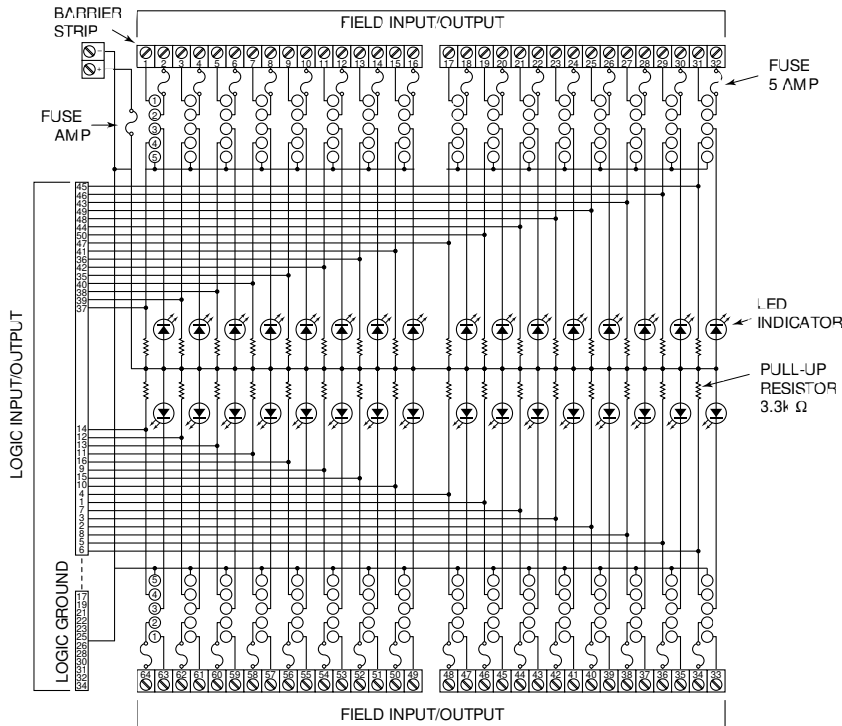


**2IOM32D Outline Dimensions**



**2IOM32D Schematic**

Designed to operate with neg. true logic (active low) systems & one logic voltage.



**Engineering Notes**

