



Chipsmall Limited consists of a professional team with an average of over 10 year of expertise in the distribution of electronic components. Based in Hongkong, we have already established firm and mutual-benefit business relationships with customers from,Europe,America and south Asia,supplying obsolete and hard-to-find components to meet their specific needs.

With the principle of “Quality Parts,Customers Priority,Honest Operation,and Considerate Service”,our business mainly focus on the distribution of electronic components. Line cards we deal with include Microchip,ALPS,ROHM,Xilinx,Pulse,ON,Everlight and Freescale. Main products comprise IC,Modules,Potentiometer,IC Socket,Relay,Connector.Our parts cover such applications as commercial,industrial, and automotives areas.

We are looking forward to setting up business relationship with you and hope to provide you with the best service and solution. Let us make a better world for our industry!



## Contact us

Tel: +86-755-8981 8866 Fax: +86-755-8427 6832

Email & Skype: info@chipsmall.com Web: www.chipsmall.com

Address: A1208, Overseas Decoration Building, #122 Zhenhua RD., Futian, Shenzhen, China



THIS DRAWING IS UNPUBLISHED. RELEASED FOR PUBLICATION  
 © COPYRIGHT - By - ALL RIGHTS RESERVED.

LOC	DIST	REVISIONS					
FT	0	P	LTR	DESCRIPTION	DATE	DWN	APVD
		D1		REVISED PER ECO-11-005027	11MAR11	RK	HMR


**SPECIFICATIONS:**

**D-SUB CONNECTOR:**

**MATERIALS:**  
 HOUSING: THERMOPLASTIC POLYESTER, 94V-0.  
 CONTACTS: COPPER ALLOY, GOLD OVER NICKEL  
**MECHANICAL:**  
 WIRE RANGE: 26-30 AWG SOLID, 28 AWG STRANDED

**TERMINAL BLOCK:**

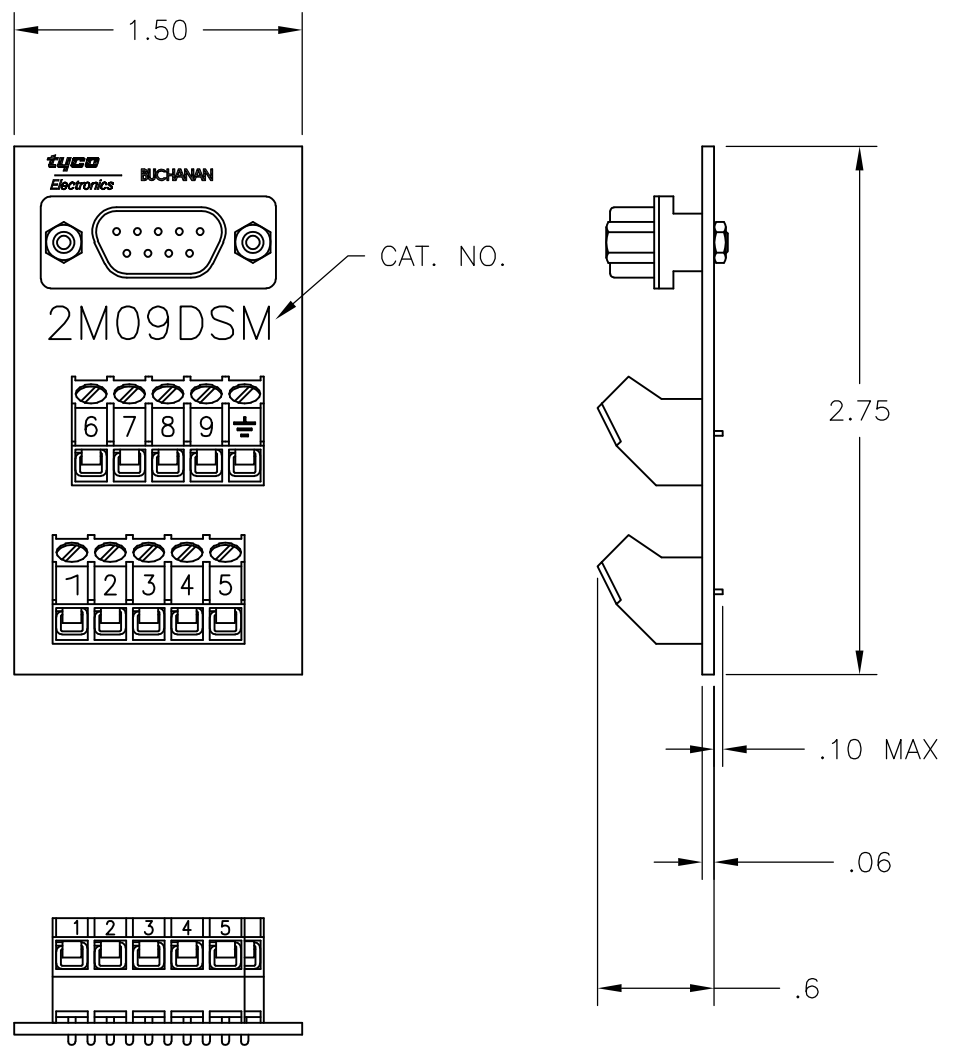
**MATERIALS:**  
 HOUSING: THERMOPLASTIC NYLON, BLACK, 94V-0.  
 TERMINALS: COPPER ALLOY, BRIGHT ACID-TIN OVER COPPER PLATED.  
 SCREWS: 3M, BRASS, NICKEL PLATED.


**ELECTRICAL:**  
 RATING: 10A, 300V,   
**MECHANICAL:**  
 WIRE RANGE: 14-22 AWG.


**MOUNTING:**

**MATERIALS:** RIGID PVC, GRAY.  
**MOUNTING:** 2TK2 AND 2TK2D SERIES SNAPTRACK, (SOLD SEPARATELY).

 CONTAINS NO TIN-LEAD PLATING.



	2M09DSML	1546693-1
	2M09DSM	1437684-3
	CATALOG NO.	PART NUMBER

THIS DRAWING IS A CONTROLLED DOCUMENT.		DWN S SCHLEGEL 08JUL02	 TE Connectivity		
DIMENSIONS: INCHES		CHK H. WAKEEM 7/8/02			
TOLERANCES UNLESS OTHERWISE SPECIFIED:		APVD H. WAKEEM 7/8/02	NAME 2M09DSM ASSEMBLY		
0 PLC ± -		PRODUCT SPEC	-		
1 PLC ± .1		APPLICATION SPEC	-		
2 PLC ± .01		WEIGHT	-		
3 PLC ± -		SIZE	CAGE CODE	DRAWING NO	RESTRICTED TO
4 PLC ± -			A3	00779	C-1437684-3
ANGLES ± -		CUSTOMER DRAWING			
FINISH		SCALE NTS SHEET 1 OF 1 REV D1			