

Chipsmall Limited consists of a professional team with an average of over 10 year of expertise in the distribution of electronic components. Based in Hongkong, we have already established firm and mutual-benefit business relationships with customers from,Europe,America and south Asia,supplying obsolete and hard-to-find components to meet their specific needs.

With the principle of “Quality Parts,Customers Priority,Honest Operation,and Considerate Service”,our business mainly focus on the distribution of electronic components. Line cards we deal with include Microchip,ALPS,ROHM,Xilinx,Pulse,ON,Everlight and Freescale. Main products comprise IC,Modules,Potentiometer,IC Socket,Relay,Connector.Our parts cover such applications as commercial,industrial, and automotives areas.

We are looking forward to setting up business relationship with you and hope to provide you with the best service and solution. Let us make a better world for our industry!



Contact us

Tel: +86-755-8981 8866 Fax: +86-755-8427 6832

Email & Skype: info@chipsmall.com Web: www.chipsmall.com

Address: A1208, Overseas Decoration Building, #122 Zhenhua RD., Futian, Shenzhen, China

2N5193
2N5194
2N5195

**PNP SILICON
POWER TRANSISTORS**



TO-126 CASE

CentralTM
Semiconductor Corp.

DESCRIPTION:

The CENTRAL SEMICONDUCTOR 2N5193 Series types are Silicon PNP Power Transistors, manufactured by the epitaxial base process, designed for medium power amplifier and switching applications. These devices are complementary to the NPN 2N5190 Series types.

MARKING: FULL PART NUMBER

MAXIMUM RATINGS: ($T_A=25^\circ\text{C}$)

Collector-Base Voltage	V_{CBO}	40	60	80	V
Collector-Emitter Voltage	V_{CEO}	40	60	80	V
Emitter-Base Voltage	V_{EBO}		5.0		V
Continuous Collector Current	I_C		4.0		A
Base Current	I_B		1.0		A
Power Dissipation ($T_C=25^\circ\text{C}$)	P_D		40		W
Operating and Storage Junction Temperature	T_J, T_{stg}		-65 to +150		$^\circ\text{C}$
Thermal Resistance (Junction to Case)	θ_{JC}		3.12		$^\circ\text{C/W}$

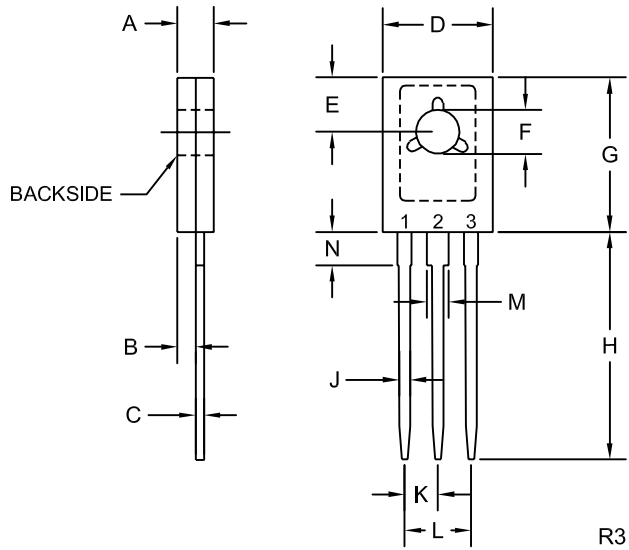
SYMBOL	<u>2N5193</u>	<u>2N5194</u>	<u>2N5195</u>	UNITS
V_{CBO}	40	60	80	V
V_{CEO}	40	60	80	V
V_{EBO}		5.0		V
I_C		4.0		A
I_B		1.0		A
P_D		40		W
T_J, T_{stg}		-65 to +150		$^\circ\text{C}$
θ_{JC}		3.12		$^\circ\text{C/W}$

ELECTRICAL CHARACTERISTICS: ($T_C=25^\circ\text{C}$)

SYMBOL	TEST CONDITIONS	MIN	MAX	UNITS
I_{CBO}	$V_{CB}=\text{Rated } V_{CBO}$		100	μA
I_{CEX}	$V_{CE}=\text{Rated } V_{CEO}, V_{EB}=1.5\text{V}$		100	μA
I_{CEO}	$V_{CE}=\text{Rated } V_{CEO}$		1.0	mA
I_{EBO}	$V_{EB}=5.0\text{V}$		1.0	mA
BV_{CEO}	$I_C=100\text{mA}$ (2N5193)	40		V
BV_{CEO}	$I_C=100\text{mA}$ (2N5194)	60		V
BV_{CEO}	$I_C=100\text{mA}$ (2N5195)	80		V
$V_{CE(SAT)}$	$I_C=1.5\text{A}, I_B=150\text{mA}$		0.6	V
$V_{CE(SAT)}$	$I_C=4.0\text{A}, I_B=1.0\text{A}$		1.4	V
$V_{BE(ON)}$	$V_{CE}=2.0\text{V}, I_C=1.5\text{A}$		1.2	V
h_{FE}	$V_{CE}=2.0\text{V}, I_C=1.5\text{A}$ (2N5193, 2N5194)	25	100	
h_{FE}	$V_{CE}=2.0\text{V}, I_C=1.5\text{A}$ (2N5195)	20	80	
h_{FE}	$V_{CE}=2.0\text{V}, I_C=4.0\text{A}$ (2N5193, 2N5194)	10		
h_{FE}	$V_{CE}=2.0\text{V}, I_C=4.0\text{A}$ (2N5195)	7.0		
f_T	$V_{CE}=10\text{V}, I_C=1.0\text{A}, f=1.0\text{MHz}$	2.0		MHz

PNP SILICON
POWER TRANSISTORS

TO-126 CASE - MECHANICAL OUTLINE



SYMBOL	DIMENSIONS			
	INCHES		MILLIMETERS	
	MIN	MAX	MIN	MAX
A	0.094	0.110	2.40	2.80
B	0.050		1.27	
C	0.015	0.030	0.38	0.75
D	0.291	0.335	7.40	8.50
E	0.148		3.75	
F	0.118	0.134	3.00	3.40
G	0.413	0.472	10.50	12.00
H	0.618		15.70	
J	0.024	0.035	0.62	0.90
K	0.089		2.25	
L	0.177		4.50	
M	0.045	0.055	1.14	1.40
N	0.083		2.10	

TO-126 (REV:R3)

LEAD CODE:
1) EMITTER
2) COLLECTOR
3) BASE

MARKING:
FULL PART NUMBER

R1 (10-February 2009)

OUTSTANDING SUPPORT AND SUPERIOR SERVICES



PRODUCT SUPPORT

Central's operations team provides the highest level of support to insure product is delivered on-time.

- Supply management (Customer portals)
- Inventory bonding
- Consolidated shipping options
- Custom bar coding for shipments
- Custom product packing

DESIGNER SUPPORT/SERVICES

Central's applications engineering team is ready to discuss your design challenges. Just ask.

- Free quick ship samples (2nd day air)
- Online technical data and parametric search
- SPICE models
- Custom electrical curves
- Environmental regulation compliance
- Customer specific screening
- Up-screening capabilities
- Special wafer diffusions
- PbSn plating options
- Package details
- Application notes
- Application and design sample kits
- Custom product and package development

REQUESTING PRODUCT PLATING

1. If requesting Tin/Lead plated devices, add the suffix "TIN/LEAD" to the part number when ordering (example: 2N2222A TIN/LEAD).
2. If requesting Lead (Pb) Free plated devices, add the suffix "PBFREE" to the part number when ordering (example: 2N2222A PBFREE).

CONTACT US

Corporate Headquarters & Customer Support Team

Central Semiconductor Corp.
145 Adams Avenue
Hauppauge, NY 11788 USA
Main Tel: (631) 435-1110
Main Fax: (631) 435-1824
Support Team Fax: (631) 435-3388
www.centrasemi.com

Worldwide Field Representatives:
www.centrasemi.com/wwreps

Worldwide Distributors:
www.centrasemi.com/wwdistributors

For the latest version of Central Semiconductor's **LIMITATIONS AND DAMAGES DISCLAIMER**, which is part of Central's Standard Terms and Conditions of sale, visit: www.centrasemi.com/terms



<http://www.centrasemi.com>

Product End of Life Notification

PDN ID:	PDN01039
Notification Date:	8/11/16
Last Buy Date:	2/11/17
Last Shipment Date	8/11/17

Summary: The 2N5190 series of NPN and PNP Power transistors, with the exception of 2N5192 and 2N5195, is discontinued and is now classified as End of Life (EOL).

Although Central Semiconductor Corp. makes every effort to continue to produce devices that have been proclaimed EOL (End of Life) by various manufacturers, it is an accepted industry practice to discontinue certain devices when customer demand falls below a minimum level of sustainability. Accordingly, the following product(s) have been transitioned to End of Life status as part of Central's Product Management Process. Any replacement product will be noted below. The effective date for placing the last purchase order will be six(6) months from the date of this notice and twelve(12) months from the notice date for final shipments; this may be extended if inventory is available.

<u>Central Part Number</u>	<u>Replacement</u>
2N5190	2N5192 SL H
2N5191	2N5192 SL H
2N5192R	N/A
2N5193	2N5195 SL H
2N5194	2N5195 SL H

Central would be happy to assist you by providing additional information or technical data to help locate an alternate source if we have no replacement available. Please email your requests to engineering@centrasemi.com.

DISCLAIMER: This End of Life (EOL) notification is in accordance with JEDEC standard JESD48 - Product Discontinuance. Central Semiconductor Corp. will make every effort to offer life-time buy (LTB) opportunities and/or offer replacement devices to existing customers for discontinued devices, however, one or both may not be possible for all devices. Please contact your local Central Semiconductor sales representative for LTB opportunities/additional information.