



Chipsmall Limited consists of a professional team with an average of over 10 year of expertise in the distribution of electronic components. Based in Hongkong, we have already established firm and mutual-benefit business relationships with customers from,Europe,America and south Asia,supplying obsolete and hard-to-find components to meet their specific needs.

With the principle of "Quality Parts,Customers Priority,Honest Operation,and Considerate Service",our business mainly focus on the distribution of electronic components. Line cards we deal with include Microchip,ALPS,ROHM,Xilinx,Pulse,ON,Everlight and Freescale. Main products comprise IC,Modules,Potentiometer,IC Socket,Relay,Connector.Our parts cover such applications as commercial,industrial, and automotives areas.

We are looking forward to setting up business relationship with you and hope to provide you with the best service and solution. Let us make a better world for our industry!



Contact us

Tel: +86-755-8981 8866 Fax: +86-755-8427 6832

Email & Skype: info@chipsmall.com Web: www.chipsmall.com

Address: A1208, Overseas Decoration Building, #122 Zhenhua RD., Futian, Shenzhen, China



2N5820 2N5822 NPN
2N5821 2N5823 PNP

**COMPLEMENTARY
SILICON TRANSISTORS**



TO-92-18R CASE



www.centrasemi.com

DESCRIPTION:

The CENTRAL SEMICONDUCTOR 2N5820 series devices are epoxy molded complementary silicon small signal transistors manufactured by the epitaxial planar process designed for general purpose amplifier applications where a high collector current rating is required.

MARKING: FULL PART NUMBER

MAXIMUM RATINGS: ($T_A=25^\circ\text{C}$ unless otherwise noted)

	SYMBOL		UNITS
Collector-Base Voltage	V_{CBO}	70	V
Collector-Emitter Voltage	V_{CES}	70	V
Collector-Emitter Voltage	V_{CEO}	60	V
Emitter-Base Voltage	V_{EBO}	5.0	V
Continuous Collector Current	I_C	750	mA
Peak Collector Current	I_{CM}	1.0	A
Power Dissipation	P_D	625	mW
Power Dissipation ($T_C=25^\circ\text{C}$)	P_D	1.5	W
Operating and Storage Junction Temperature	T_J, T_{stg}	-65 to +150	$^\circ\text{C}$
Thermal Resistance	θ_{JA}	200	$^\circ\text{C/W}$
Thermal Resistance	θ_{JC}	83.3	$^\circ\text{C/W}$

ELECTRICAL CHARACTERISTICS: ($T_A=25^\circ\text{C}$ unless otherwise noted)

SYMBOL	TEST CONDITIONS	MIN	MAX	UNITS
I_{CBO}	$V_{CB}=25\text{V}$		100	nA
I_{CBO}	$V_{CB}=25\text{V}, T_A=100^\circ\text{C}$		15	μA
I_{EBO}	$V_{EB}=5.0\text{V}$		10	μA
BV_{CES}	$I_C=10\mu\text{A}$	70		V
BV_{CEO}	$I_C=10\text{mA}$	60		V
BV_{EBO}	$I_E=10\mu\text{A}$	5.0		V
$V_{CE(SAT)}$	$I_C=500\text{mA}, I_B=50\text{mA}$		0.75	V
$V_{BE(SAT)}$	$I_C=500\text{mA}, I_B=50\text{mA}$		1.2	V
$V_{BE(ON)}$	$V_{CE}=2.0\text{V}, I_C=500\text{mA}$	0.6	1.1	V
h_{FE}	$V_{CE}=2.0\text{V}, I_C=2.0\text{mA}$ (2N5820, 21)	60	120	
h_{FE}	$V_{CE}=2.0\text{V}, I_C=2.0\text{mA}$ (2N5822, 23)	100	250	
h_{FE}	$V_{CE}=2.0\text{V}, I_C=500\text{mA}$ (2N5820, 21)	20		
h_{FE}	$V_{CE}=2.0\text{V}, I_C=500\text{mA}$ (2N5822, 23)	25		
f_T	$V_{CE}=2.0\text{V}, I_C=50\text{mA}, f=20\text{MHz}$ (2N5820, 21)	100		MHz
f_T	$V_{CE}=2.0\text{V}, I_C=50\text{mA}, f=20\text{MHz}$ (2N5822, 23)	120		MHz
C_{ob}	$V_{CB}=10\text{V}, I_C=0, f=1.0\text{MHz}$		15	pF
C_{ib}	$V_{EB}=0.5\text{V}, I_E=0, f=1.0\text{MHz}$		55	pF

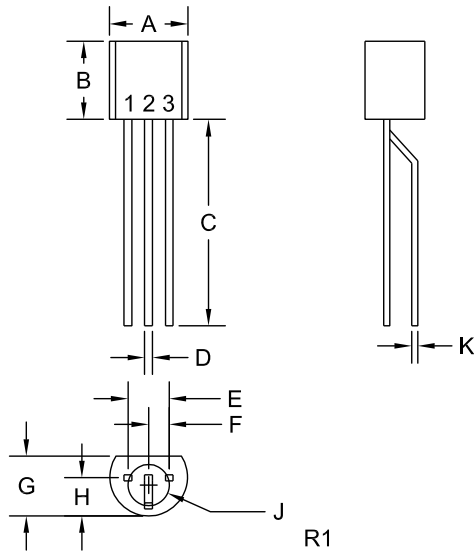
R2 (17-November 2014)

2N5820 2N5822 NPN
 2N5821 2N5823 PNP

COMPLEMENTARY
 SILICON TRANSISTORS



TO-92-18R CASE - MECHANICAL OUTLINE



SYMBOL	INCHES		MILLIMETERS	
	MIN	MAX	MIN	MAX
A (DIA)	0.175	0.205	4.45	5.21
B	0.170	0.210	4.32	5.33
C	0.500	-	12.70	-
D	0.016	0.022	0.41	0.56
E	0.100		2.54	
F	0.050		1.27	
G	0.125	0.165	3.18	4.19
H	0.080	0.105	2.03	2.67
J (DIA)	0.100		2.54	
K	0.015		0.38	

TO-92-18R (REV: R1)

LEAD CODE:

- 1) Collector
- 2) Base
- 3) Emitter

MARKING:

FULL PART NUMBER

R2 (17-November 2014)

OUTSTANDING SUPPORT AND SUPERIOR SERVICES



PRODUCT SUPPORT

Central's operations team provides the highest level of support to insure product is delivered on-time.

- Supply management (Customer portals)
- Inventory bonding
- Consolidated shipping options
- Custom bar coding for shipments
- Custom product packing

DESIGNER SUPPORT/SERVICES

Central's applications engineering team is ready to discuss your design challenges. Just ask.

- Free quick ship samples (2nd day air)
- Online technical data and parametric search
- SPICE models
- Custom electrical curves
- Environmental regulation compliance
- Customer specific screening
- Up-screening capabilities
- Special wafer diffusions
- PbSn plating options
- Package details
- Application notes
- Application and design sample kits
- Custom product and package development

REQUESTING PRODUCT PLATING

1. If requesting Tin/Lead plated devices, add the suffix "TIN/LEAD" to the part number when ordering (example: 2N2222A TIN/LEAD).
2. If requesting Lead (Pb) Free plated devices, add the suffix "PBFREE" to the part number when ordering (example: 2N2222A PBFREE).

CONTACT US

Corporate Headquarters & Customer Support Team

Central Semiconductor Corp.
145 Adams Avenue
Hauppauge, NY 11788 USA
Main Tel: (631) 435-1110
Main Fax: (631) 435-1824
Support Team Fax: (631) 435-3388
www.centalsemi.com

Worldwide Field Representatives:
www.centalsemi.com/wwreps

Worldwide Distributors:
www.centalsemi.com/wwdistributors

For the latest version of Central Semiconductor's **LIMITATIONS AND DAMAGES DISCLAIMER**, which is part of Central's Standard Terms and Conditions of sale, visit: www.centalsemi.com/terms