



Chipsmall Limited consists of a professional team with an average of over 10 year of expertise in the distribution of electronic components. Based in Hongkong, we have already established firm and mutual-benefit business relationships with customers from,Europe,America and south Asia,supplying obsolete and hard-to-find components to meet their specific needs.

With the principle of “Quality Parts,Customers Priority,Honest Operation,and Considerate Service”,our business mainly focus on the distribution of electronic components. Line cards we deal with include Microchip,ALPS,ROHM,Xilinx,Pulse,ON,Everlight and Freescale. Main products comprise IC,Modules,Potentiometer,IC Socket,Relay,Connector.Our parts cover such applications as commercial,industrial, and automotives areas.

We are looking forward to setting up business relationship with you and hope to provide you with the best service and solution. Let us make a better world for our industry!



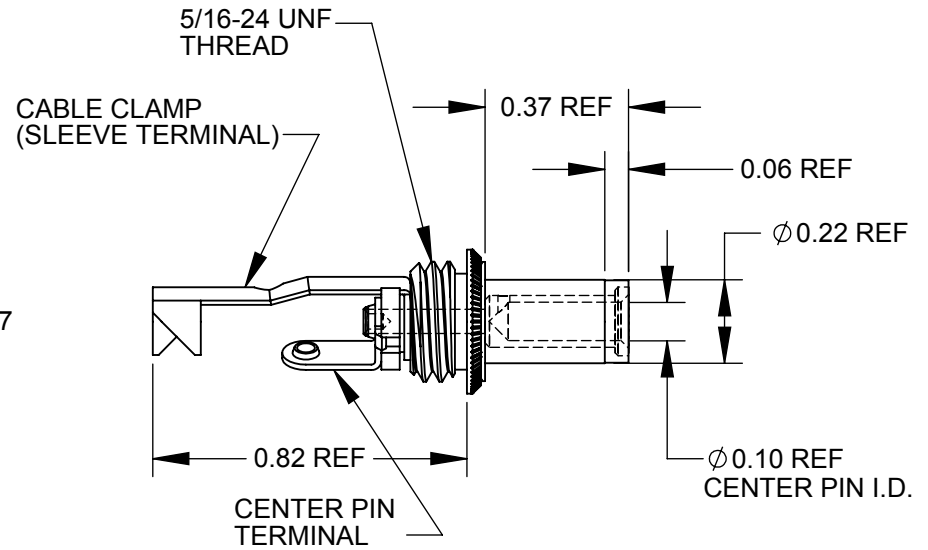
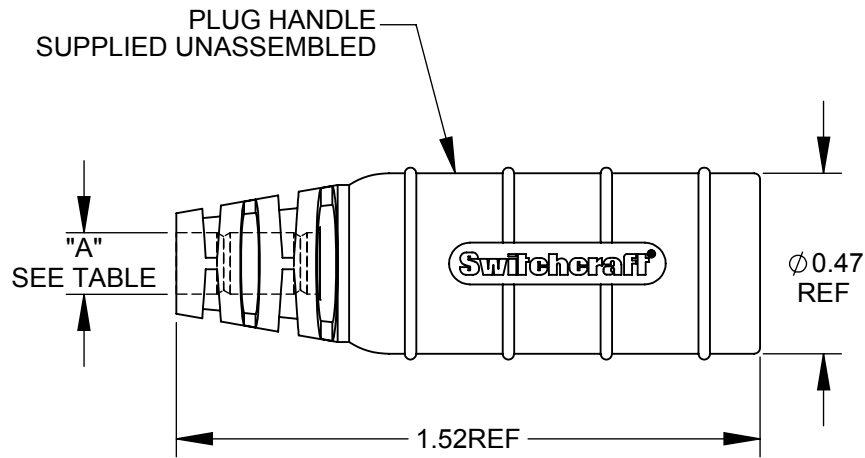
Contact us

Tel: +86-755-8981 8866 Fax: +86-755-8427 6832

Email & Skype: info@chipsmall.com Web: www.chipsmall.com

Address: A1208, Overseas Decoration Building, #122 Zhenhua RD., Futian, Shenzhen, China





NOTES:

1. MATERIAL:
 PLUG BODY, CENTER PIN - COPPER ALLOY, NICKEL PLATED
 INSULATORS - THERMOPLASTIC
 PLUG HANDLE - THERMOPLASTIC RUBBER OVER THERMOPLASTIC, BLACK
2. REF 760 PLUG WITH HANDLE & STRAIN RELIEF
3. THIS PRODUCT IS RoHS COMPLIANT

PART NUMBER	REV	Ø "A" DIM	CABLE NOMINAL O.D. RANGE
2P3248	A	0.140 DIA	0.125 - 0.150
2P3249	A	0.160 DIA	0.150 - 0.175
2P3250	A	0.190 DIA	0.175 - 0.210

CUSTOMER DRAWING

					THIS DRAWING DESCRIBES A DESIGN CONSIDERED PROPRIETARY IN NATURE, DEVELOPED AND MANUFACTURED BY SWITCHCRAFT INC. AND IS RELEASED ON A CONFIDENTIAL BASIS FOR IDENTIFICATION PURPOSES ONLY.				
					SIZE *	WIDTH *	MULT *	LBS/M *	TEMPER *
					FINISH *			MATERIAL *	
					SPEC No. *			SPEC No. *	
					FIRST USED ON *		SCALE 2:1		
					DATE DRAWN	BY	CHKD	APVD	
					8-02-12	EB	*	*	
REV	ECO NUMBER	DATE	BY	APVD	NAME 760 PLUG WITH HANDLE & STRAIN RELIEF, RoHS			PART No. 2P3248-3250	REV 0A
REVISIONS					DO NOT SCALE DRAWING				

SolidWorks CAD File

