



Chipsmall Limited consists of a professional team with an average of over 10 year of expertise in the distribution of electronic components. Based in Hongkong, we have already established firm and mutual-benefit business relationships with customers from,Europe,America and south Asia,supplying obsolete and hard-to-find components to meet their specific needs.

With the principle of “Quality Parts,Customers Priority,Honest Operation,and Considerate Service”,our business mainly focus on the distribution of electronic components. Line cards we deal with include Microchip,ALPS,ROHM,Xilinx,Pulse,ON,Everlight and Freescale. Main products comprise IC,Modules,Potentiometer,IC Socket,Relay,Connector.Our parts cover such applications as commercial,industrial, and automotives areas.

We are looking forward to setting up business relationship with you and hope to provide you with the best service and solution. Let us make a better world for our industry!



Contact us

Tel: +86-755-8981 8866 Fax: +86-755-8427 6832

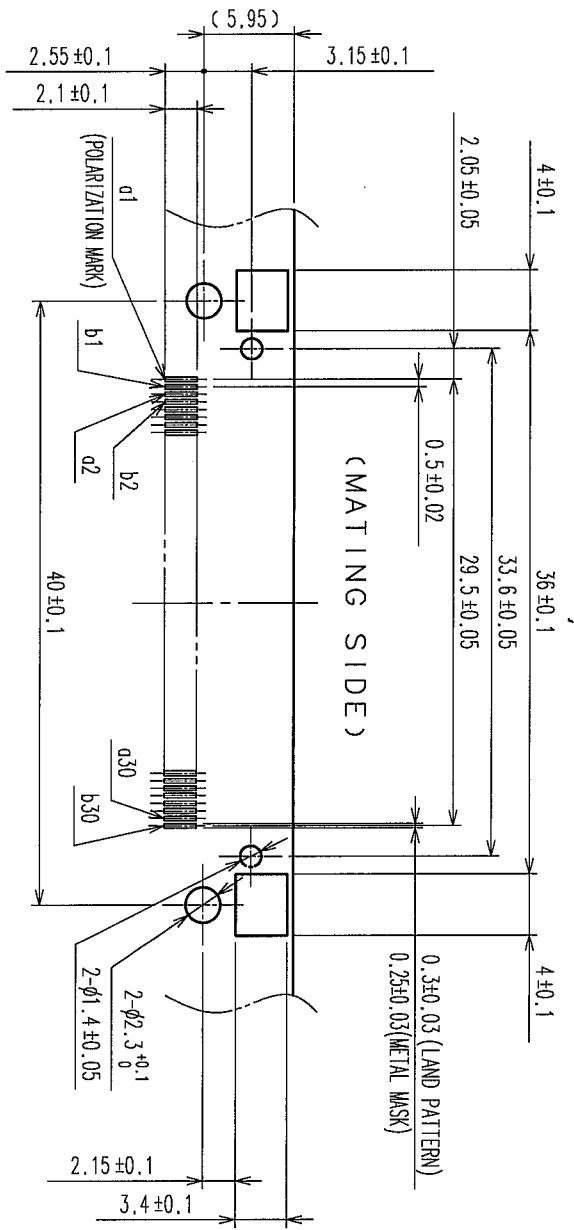
Email & Skype: info@chipsmall.com Web: www.chipsmall.com

Address: A1208, Overseas Decoration Building, #122 Zhenhua RD., Futian, Shenzhen, China

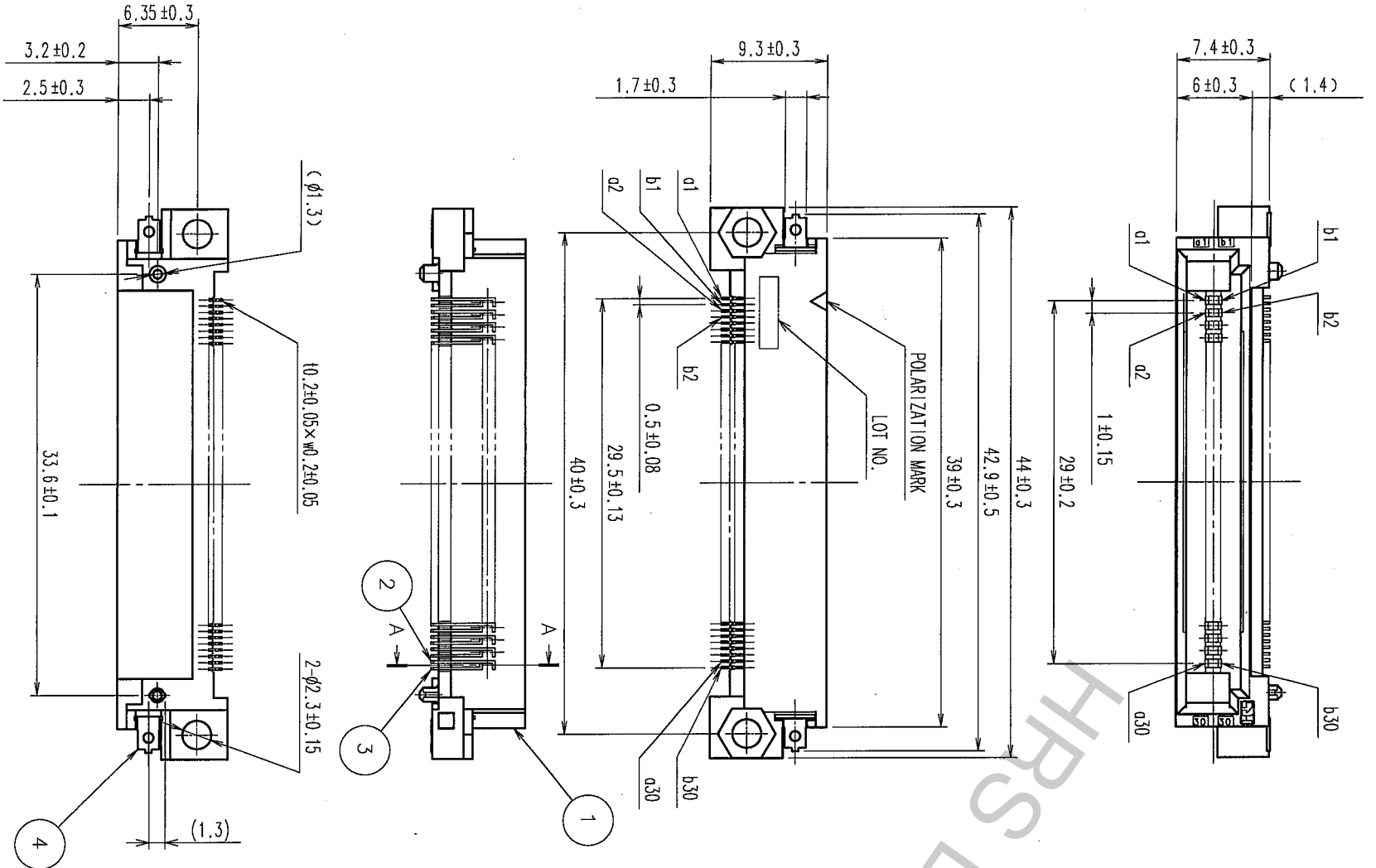
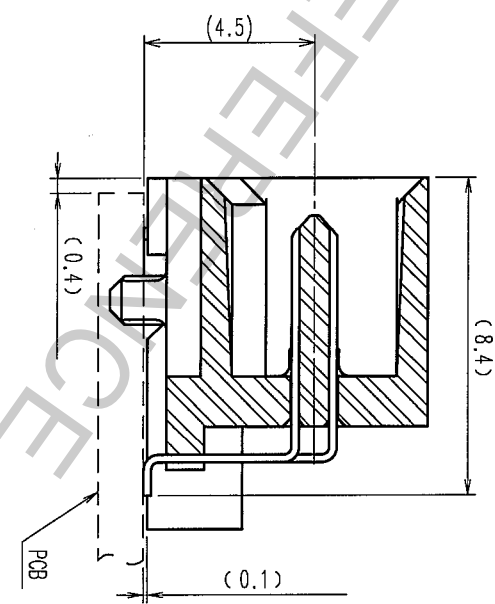


COUNT	DESCRIPTION OF REVISIONS	BY	CHKD	DATE	COUNT	DESCRIPTION OF REVISIONS	BY	CHKD	DATE

RECOMMENDED PCB HOLE PATTERN (MOUNTING SIDE)



A-A (5:1)



NOTES
 1. LEAD CO-PLANARITY INCLUDING REINFORCED METAL FITTINGS TO BE 0.1 MAX.
 2. NOTE THAT THE REFERENCE TIGHTENING TORQUE IS 0.15 N·m.
 3. THE DIMENSIONS IN PARENTHESES ARE FOR REFERENCE.

NO.	MATERIAL	FINISH, REMARKS	NO.	MATERIAL	FINISH, REMARKS
4	BRASS	TIN-PLATING	2, 3	BRASS	CONTACT AREA: GOLD 0.1μm min.
1	POLYAMIDE	BLACK UL94V-0			LEAD AREA: TIN-PLATING 1.2μm min.
					UNDER PLATING: NICKEL 1μm min.

CODE NO. (OLD)	CL	DRAWN	DESIGNED	CHECKED	APPROVED	RELEASED
		A. SUZUKAWA	M. Yamamura	M. Igarashi	H. Okawa	
		06.09.01	06.09.01	06.09.01	06.09.01	

DRAWING NO.	PART NO.	SCALE	UNITS	CODE NO.
EDC3-151934-22	FX5-60P-SH09(91)	2:1	mm	CL575-0057-1-91

TO	
PCK	