



Chipsmall Limited consists of a professional team with an average of over 10 year of expertise in the distribution of electronic components. Based in Hongkong, we have already established firm and mutual-benefit business relationships with customers from,Europe,America and south Asia,supplying obsolete and hard-to-find components to meet their specific needs.

With the principle of “Quality Parts,Customers Priority,Honest Operation,and Considerate Service”,our business mainly focus on the distribution of electronic components. Line cards we deal with include Microchip,ALPS,ROHM,Xilinx,Pulse,ON,Everlight and Freescale. Main products comprise IC,Modules,Potentiometer,IC Socket,Relay,Connector.Our parts cover such applications as commercial,industrial, and automotives areas.

We are looking forward to setting up business relationship with you and hope to provide you with the best service and solution. Let us make a better world for our industry!



Contact us

Tel: +86-755-8981 8866 Fax: +86-755-8427 6832

Email & Skype: info@chipsmall.com Web: www.chipsmall.com

Address: A1208, Overseas Decoration Building, #122 Zhenhua RD., Futian, Shenzhen, China



REV. C

DIMENSIONS ARE IN INCHES		UNLESS OTHERWISE NOTED	TOLERANCES ARE:	TITLE:	DWG NO:
ONE PLACE DECIMALS ± .1	THREE PLACE DECIMALS ± .005		ANGLES ± 5°	2 mm C.L. SHUNT ASSEMBLY	2SN-XX-X
TWO PLACE DECIMALS ± .01	FOUR PLACE DECIMALS ± .0020				SHEET 1 OF 1

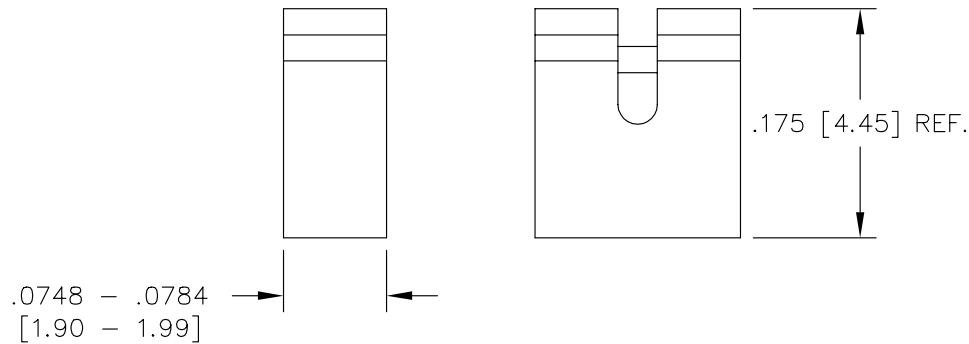
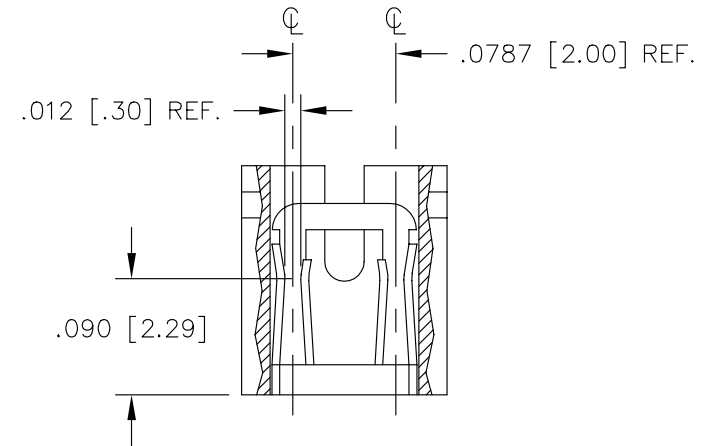
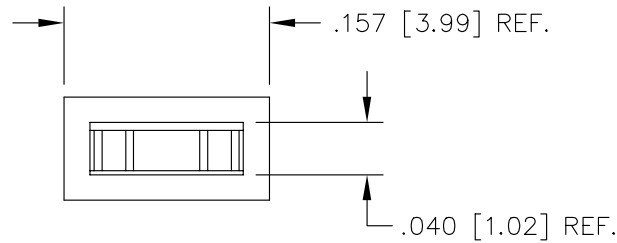
2SN-XX-X

COLOR SPECIFICATION

-BK: BLACK

PLATING SPECIFICATION

-G: GOLD: SPECIFY -G IN CONTACT SUFFIX -X



NOTES:

1. DIM IN [] ARE METRIC AND ARE NOT CONTROLLING DIMENSIONS.
2. INSULATOR MATERIAL: BLACK, GLASS-FILLED POLYESTER.
CONTACT MATERIAL: PHOSPHOR BRONZE

PROPRIETARY NOTE
THIS DOCUMENT CONTAINS INFORMATION CONFIDENTIAL AND PROPRIETARY TO SAMTEC INC. AND SHALL NOT BE REPRODUCED OR TRANSMITTED TO OTHER DOCUMENTS OR DISCLOSED TO OTHERS OR USED FOR ANY PURPOSE OTHER THAN THAT FOR WHICH IT WAS OBTAINED WITHOUT THE EXPRESSED WRITTEN CONSENT OF SAMTEC INC.

PLOT SCALE: 1=.075

samtec		MISC\MKTG 2SN-MKT
520 PARK EAST BLVD. NEW ALBANY, INDIANA 47150 PHONE (812) 944-6733 P.O. BOX 1147 CODE 55322		
MADE BY: GREG REIDINGER 3-8-93	ENG APPROVAL: PAE	2SN-XX-X
CHECKED BY: ECKERT		SHEET 1 OF 1