



Chipsmall Limited consists of a professional team with an average of over 10 year of expertise in the distribution of electronic components. Based in Hongkong, we have already established firm and mutual-benefit business relationships with customers from,Europe,America and south Asia,supplying obsolete and hard-to-find components to meet their specific needs.

With the principle of “Quality Parts,Customers Priority,Honest Operation,and Considerate Service”,our business mainly focus on the distribution of electronic components. Line cards we deal with include Microchip,ALPS,ROHM,Xilinx,Pulse,ON,Everlight and Freescale. Main products comprise IC,Modules,Potentiometer,IC Socket,Relay,Connector.Our parts cover such applications as commercial,industrial, and automotives areas.

We are looking forward to setting up business relationship with you and hope to provide you with the best service and solution. Let us make a better world for our industry!



Contact us

Tel: +86-755-8981 8866 Fax: +86-755-8427 6832

Email & Skype: info@chipsmall.com Web: www.chipsmall.com

Address: A1208, Overseas Decoration Building, #122 Zhenhua RD., Futian, Shenzhen, China



4

3

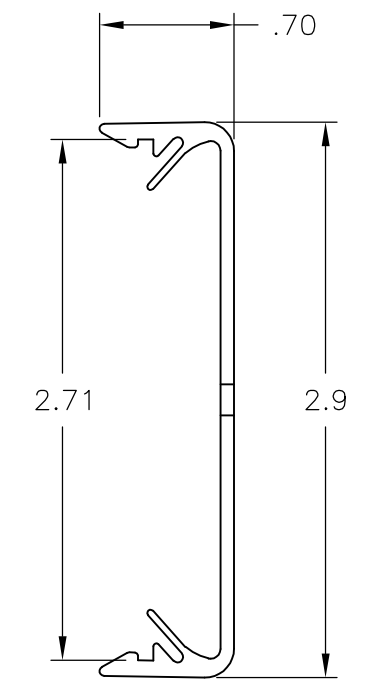
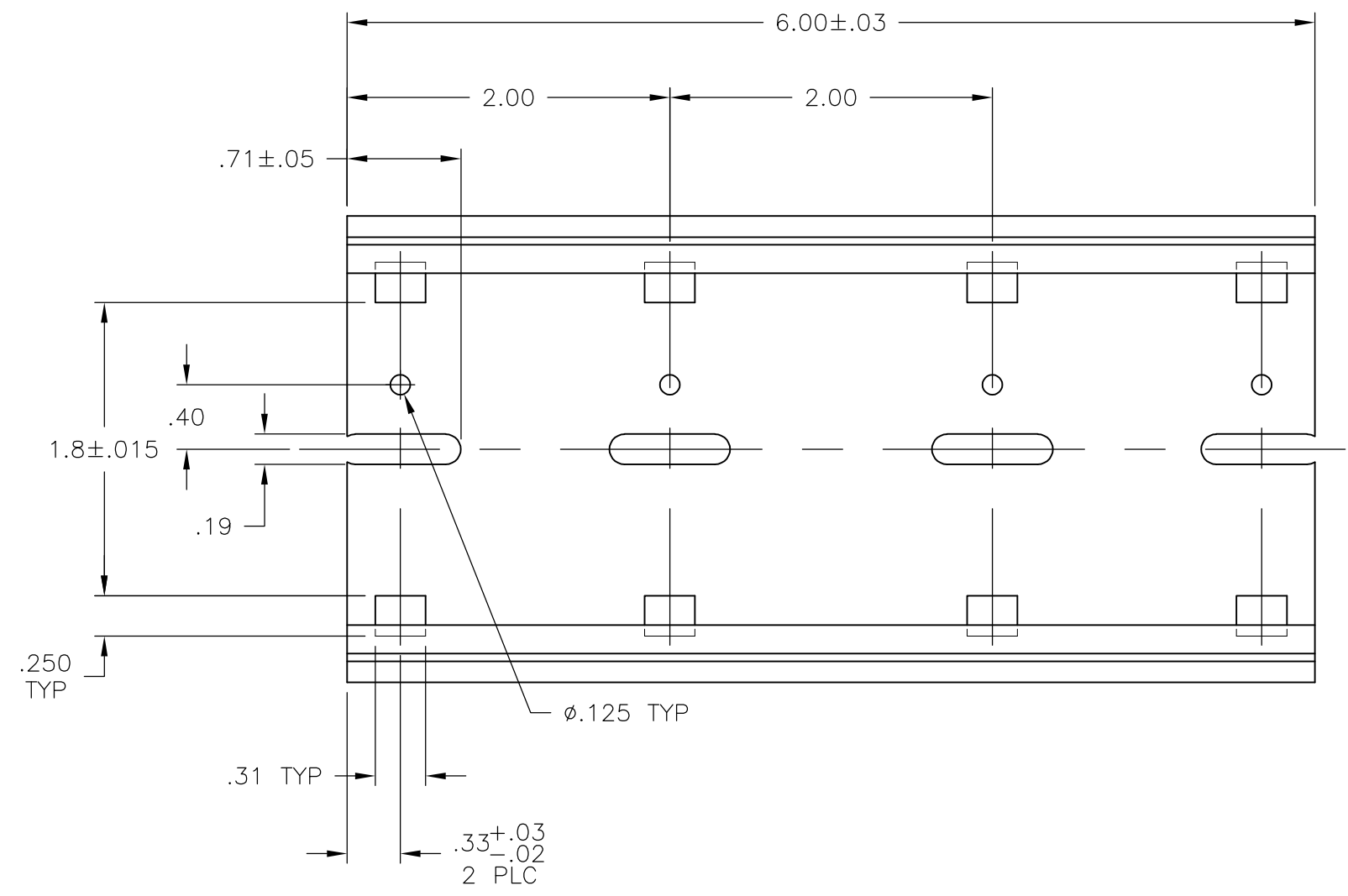
2

1

THIS DRAWING IS UNPUBLISHED. RELEASED FOR PUBLICATION
 © COPYRIGHT - By - ALL RIGHTS RESERVED.

LOC	DIST	REVISIONS			
P	LTR	DESCRIPTION	DATE	DWN	APVD
FT	0	C	REVISED PER ECO-13-010157	19JUN13	KH MB

- 1 MATERIAL: RIGID PVC, COLOR GRAY.
- 2 RECOMMENDED PCB WIDTH 2.75"



2TK2D-6	2-1437685-0
CATALOG NUMBER	PART NUMBER

THIS DRAWING IS A CONTROLLED DOCUMENT.		DWN	S SCHLEGEL	22NOV2006	STE TE Connectivity			
DIMENSIONS: INCHES		CHK	S YODER	11/22/06				
		APVD	S YODER	11/22/06				
		PRODUCT SPEC		NAME		2TK2D-6 SNAPTRACK		
TOLERANCES UNLESS OTHERWISE SPECIFIED:		APPLICATION SPEC		SIZE	CAGE CODE	DRAWING NO	RESTRICTED TO	
0 PLC ± - 1 PLC ± .1 2 PLC ± .02 3 PLC ± .010 4 PLC ± - ANGLES ± 1°		-		WGT	-	A3 00779	C-2-1437685-0	
MATERIAL		FINISH		CUSTOMER DRAWING		SCALE	SHEET	REV
1		-		-		NTS	1 OF 1	C