



Chipsmall Limited consists of a professional team with an average of over 10 year of expertise in the distribution of electronic components. Based in Hongkong, we have already established firm and mutual-benefit business relationships with customers from,Europe,America and south Asia,supplying obsolete and hard-to-find components to meet their specific needs.

With the principle of "Quality Parts,Customers Priority,Honest Operation,and Considerate Service",our business mainly focus on the distribution of electronic components. Line cards we deal with include Microchip,ALPS,ROHM,Xilinx,Pulse,ON,Everlight and Freescale. Main products comprise IC,Modules,Potentiometer,IC Socket,Relay,Connector.Our parts cover such applications as commercial,industrial, and automotives areas.

We are looking forward to setting up business relationship with you and hope to provide you with the best service and solution. Let us make a better world for our industry!



## Contact us

Tel: +86-755-8981 8866 Fax: +86-755-8427 6832

Email & Skype: info@chipsmall.com Web: www.chipsmall.com

Address: A1208, Overseas Decoration Building, #122 Zhenhua RD., Futian, Shenzhen, China



**MICRO SWITCH**  
 FREEPORT ILLINOIS U S A  
 A DIVISION OF HONEYWELL  
 FED. MFG. CODE 91929

**SWITCH - TOGGLE**  
**ABOVE PANEL MOUNT**

CATALOG LISTING  
**2TP7 SERIES**  
**CHART 1**

THIS DRAWING COVERS A PROPRIETARY ITEM AND IS THE PROPERTY OF MICRO SWITCH A DIVISION OF HONEYWELL THIS DRAWING IS NOT TO BE COPIED OR USED WITHOUT THE APPROVAL OF MICRO SWITCH.

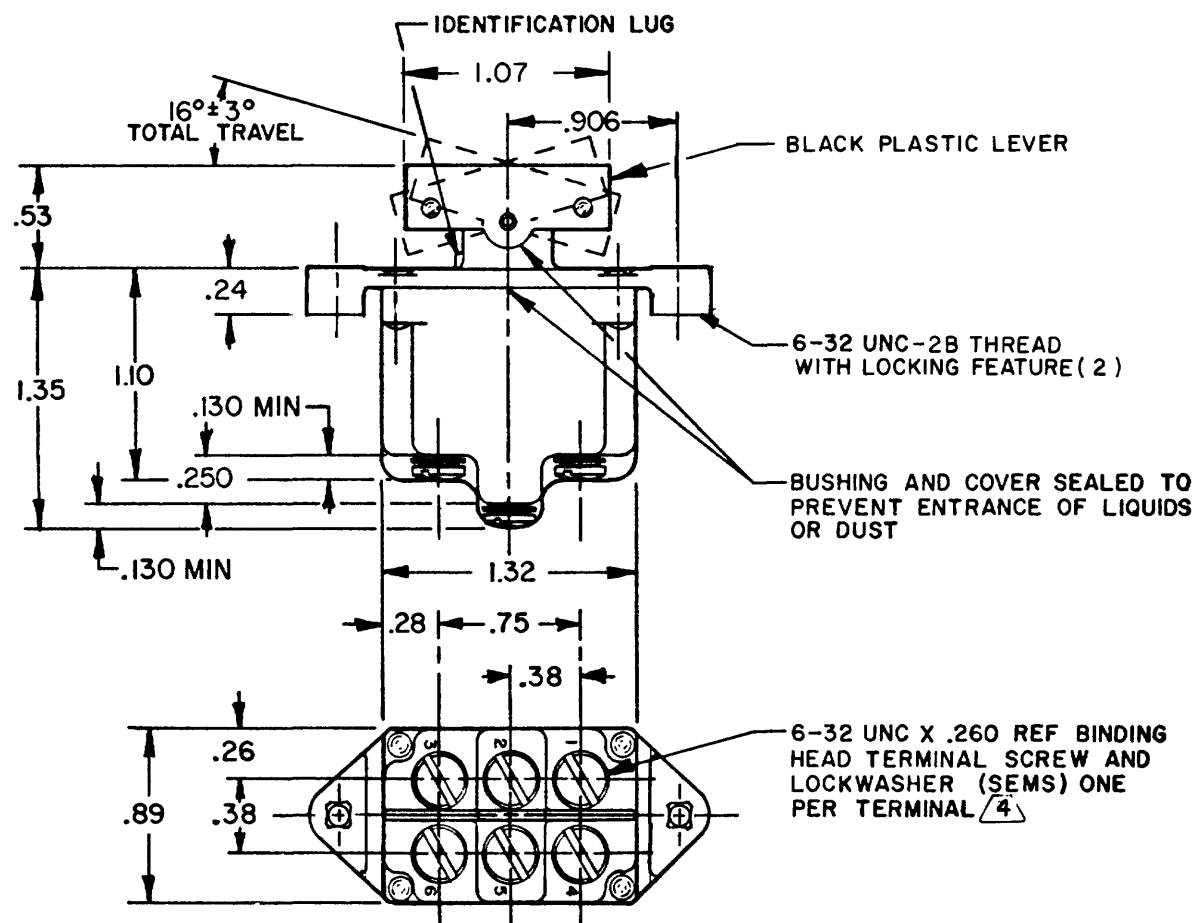
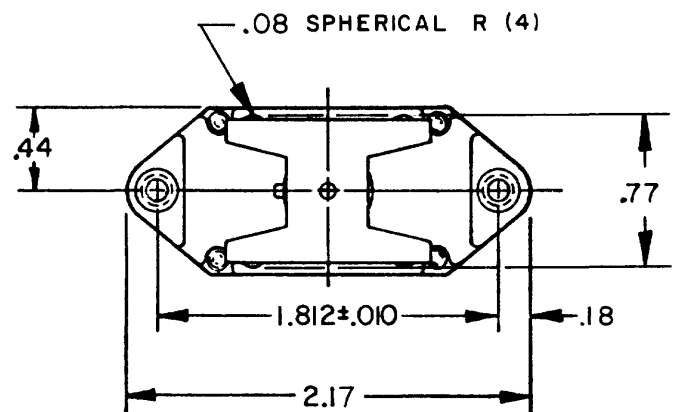
CATALOG LISTING  
**2TP7 SERIES CHART 1**  
 PAGE 1 OF 1

ISSUE  
**M**  
 9

REVISIONS

A	DBS DWG	CO36515
B	K S W	18 FEB 76
B	RE-IN	CO78497
C	J A F	21 JUN 94
C	CO-	95612
D	J J A	1 OCT 99
D	CO94415	
E	TSM	24 NOV 99
E	203709	
	C.S.L.	10 SEP 01

RELEASE NO CO-78497  
 CHECK  
 KAG 7 JUL 94  
 JAF 21 JUN 94  
 DRAWN  
 RASTER



CATALOG LISTING	CIRCUIT MADE WITH BUTTON DEPRESSED ON		
	LUG SIDE (1-2,4-5)	CENTER (1-2,4-5)	OPPOSITE LUG (2-3,5-6)
2TP7-1	ON	OFF	ON
2TP7-2	OFF	NONE	ON
2TP7-3	ON	NONE	ON
2TP7-21	NONE	OFF	ON
2TP7-31	NONE	ON	ON
(E)	MOM OFF	NONE	ON
2TP7-5	MOM ON	OFF	ON
(E)	MOM ON	NONE	OFF
2TP7-7	MOM ON	OFF	MOM ON
2TP7-8	MOM ON	NONE	ON
2TP7-51	NONE	ON	MOM ON
2TP7-61	MOM ON	OFF	NONE

ELECTRICAL DATA

L 191  
 15A 125, 250, 277 VAC  
 1/2 HP 125 VAC;  
 1 HP 250, 277 VAC  
 5A 125 VAC "L"

L 192  
 10A 125, 250, 277 VAC  
 1/4 HP 125 VAC,  
 1/2 HP 250, 277 VAC  
 3A 125 VAC "L"

BUTTON COLOR CODE (5)

COLOR IDENTIFICATION	COLOR
W	WHITE
R	RED
Y	YELLOW
BK	BLACK
G	GREEN
BL	BLUE
T	TRANSPARENT

NOTES

- SWITCH WILL WITHSTAND TEMPERATURE OF 160°F CONTINUOUSLY AT FULL RATED LOAD
- MICRO SWITCH CATALOG LISTING MARKED ON SIDE OF SWITCH
- APPLIES ONLY TO "ON" AND "MOMENTARY ON" POSITIONS
- SCREWS FURNISHED UNASSEMBLED
- SUFFIX MUST BE ADDED FOR DESIRED BUTTON COLOR (EXAMPLE: 2TP7-1-W)

THIRD ANGLE PROJECTION

SCALE FULL

DO NOT SCALE PRINT

TOLERANCES  
 APPLY TO DESIGN UNITS. CONVERSIONS ARE ONLY FOR REFERENCE UNLESS NOTED. TOLERANCES ARE ±

DIM.	TOL.	DIM.	TOL.
in	mm/in	in	mm/in
NO PLACES	X	1/64	
ONE PLACE	X,X	0.4/018	X,X 0.8/05
TWO PLACES	X,XX	0.15/008	X,XX 0.38/016
THREE PLACES	X,XXX	0.15/008	X,XXX 0.15/008

DESIGN UNITS  SI METRIC  US CUSTOMARY

RAW MATERIAL - COMMERCIAL STANDARD  
 MICRO SWITCH STANDARDS APPLY  
 DIMENSIONS ARE TO BE MEASURED BEFORE PROTECTIVE COATINGS ARE APPLIED

WEIGHT .14 LB EST