



Chipsmall Limited consists of a professional team with an average of over 10 year of expertise in the distribution of electronic components. Based in Hongkong, we have already established firm and mutual-benefit business relationships with customers from,Europe,America and south Asia,supplying obsolete and hard-to-find components to meet their specific needs.

With the principle of "Quality Parts,Customers Priority,Honest Operation,and Considerate Service",our business mainly focus on the distribution of electronic components. Line cards we deal with include Microchip,ALPS,ROHM,Xilinx,Pulse,ON,Everlight and Freescale. Main products comprise IC,Modules,Potentiometer,IC Socket,Relay,Connector.Our parts cover such applications as commercial,industrial, and automotives areas.

We are looking forward to setting up business relationship with you and hope to provide you with the best service and solution. Let us make a better world for our industry!



Contact us

Tel: +86-755-8981 8866 Fax: +86-755-8427 6832

Email & Skype: info@chipsmall.com Web: www.chipsmall.com

Address: A1208, Overseas Decoration Building, #122 Zhenhua RD., Futian, Shenzhen, China



MICRO SWITCH
 FREEPORT ILLINOIS U.S.A.
 A DIVISION OF HONEYWELL
 FED MFG CODE 81928

**SWITCH- TOGGLE
 FLUSH KEY**

CATALOG LISTING
2TP8 SERIES
CHART 1

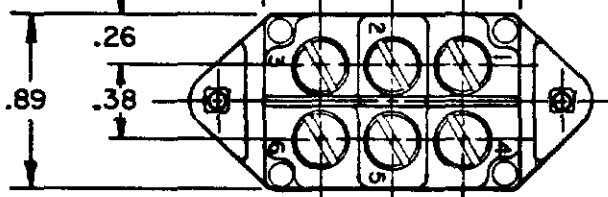
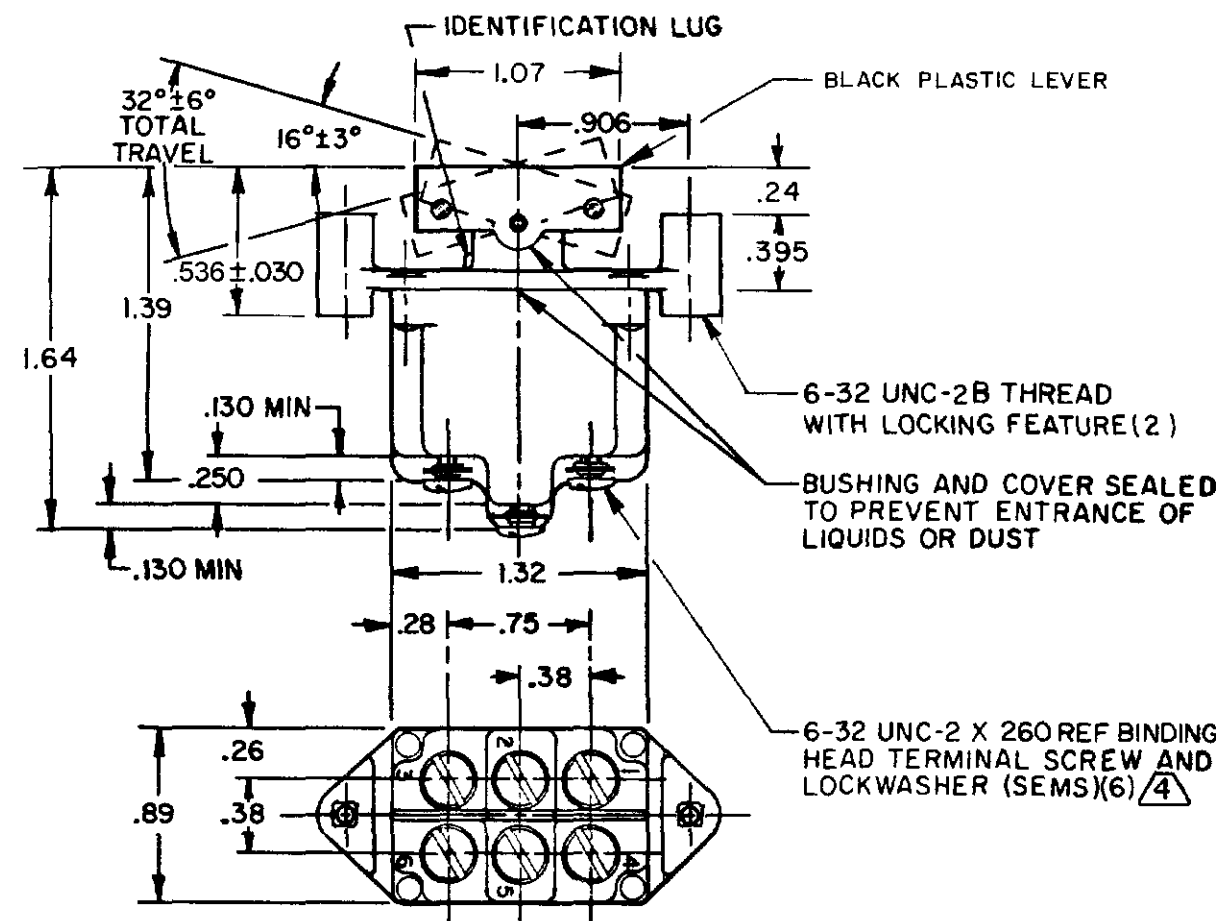
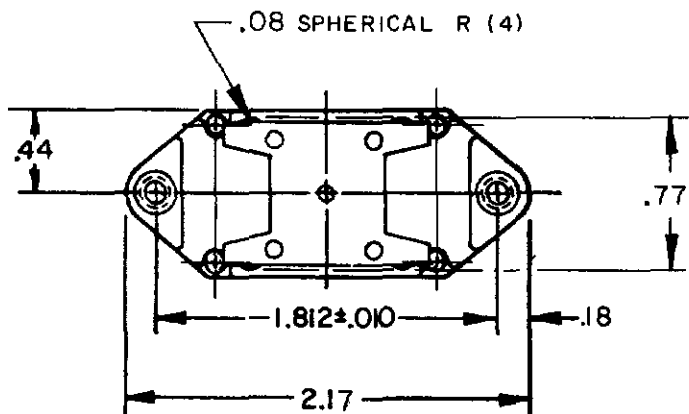
THIS DRAWING COVERS A PROPRIETARY ITEM AND IS THE PROPERTY OF MICRO SWITCH A DIVISION OF HONEYWELL THIS DRAWING IS NOT TO BE COPIED OR USED WITHOUT THE APPROVAL OF MICRO SWITCH.

CATALOG LISTING
2TP8 SERIES CHART 1
 PAGE 1 OF 1

ISSUE
M
 17

REVISIONS
 A C094415
 TSM
 24 NOV 99
 B 202714
 C SL
 3 APR 01

FO-32854-B
 DRAWN
 JM
 27 JAN 81
 CHECK
 GJH
 23 JAN 81
 CHECK
 KJC
 29 JAN 81
 CHECK
 KJC



CATALOG LISTING	3 CIRCUIT WITH BUTTON IN			ELECTRICAL DATA
	LUG SIDE (1-2, 4-5)	CENTER (1-2, 4-5)	OPPOSITE LUG (2-3, 5-6)	
2TP8-1	ON	OFF	ON	L 191 15A 125, 250, 277 VAC 1/2 HP 125 VAC, 1 HP 250, 277 VAC 5A 125 VAC "L" UL CS CE
2TP8-2	OFF	NONE	ON	
2TP8-3	ON	NONE	ON	
2TP8-21	NONE	OFF	ON	
①	NONE	ON	ON	
2TP8-4	MOM OFF	NONE	ON	L 192 10A 125, 250, 277 VAC 1/4 HP 125 VAC, 1/2 HP 250, 277 VAC 3A 125 VAC "L" UL CS CE
2TP8-5	MOM ON	OFF	ON	
2TP8-6	MOM ON	NONE	OFF	
2TP8-7	MOM ON	OFF	MOM ON	
2TP8-8	MOM ON	NONE	ON	
2TP8-51	NONE	ON	MOM ON	
2TP8-61	MOM ON	OFF	NONE	

- NOTES
 1 - THESE SWITCHES WILL WITHSTAND TEMPERATURE OF 160°F
 2 - MICRO SWITCH CATALOG LISTING MARKED ON SIDE OF SWITCH
 3 - APPLIES ONLY TO "ON" AND "MOMENTARY ON" POSITIONS
 4 - SCREWS FURNISHED UNASSEMBLED

THIRD ANGLE PROJECTION

SCALE FULL

DO NOT SCALE PRINT

TOLERANCES
 APPLY TO DESIGN UNITS. CONVERSIONS ARE ONLY FOR REFERENCE UNLESS NOTED TOLERANCES ARE 2

	DIM.	TOL.	DIM.	TOL.
	IN	MM/10	IN	MM/10
NO PLACES	X	1/64	X X	0.01/64
ONE PLACE	X,X	0.0010	X X X	0.0010/64
TWO PLACES	X,X,X	0.0008	X X X X	0.0008/64
THREE PLACES	X,X,X,X	0.0006	X X X X X	0.0006/64

DESIGN UNITS METRIC US CUSTOMARY

RAW MATERIAL—COMMERCIAL STANDARD
 MICRO SWITCH STANDARDS APPLY

DIMENSIONS ARE TO BE MET BEFORE
 PROTECTIVE COATINGS ARE APPLIED

WEIGHT 14 LB EST