



Chipsmall Limited consists of a professional team with an average of over 10 year of expertise in the distribution of electronic components. Based in Hongkong, we have already established firm and mutual-benefit business relationships with customers from,Europe,America and south Asia,supplying obsolete and hard-to-find components to meet their specific needs.

With the principle of “Quality Parts,Customers Priority,Honest Operation,and Considerate Service”,our business mainly focus on the distribution of electronic components. Line cards we deal with include Microchip,ALPS,ROHM,Xilinx,Pulse,ON,Everlight and Freescale. Main products comprise IC,Modules,Potentiometer,IC Socket,Relay,Connector.Our parts cover such applications as commercial,industrial, and automotives areas.

We are looking forward to setting up business relationship with you and hope to provide you with the best service and solution. Let us make a better world for our industry!



Contact us

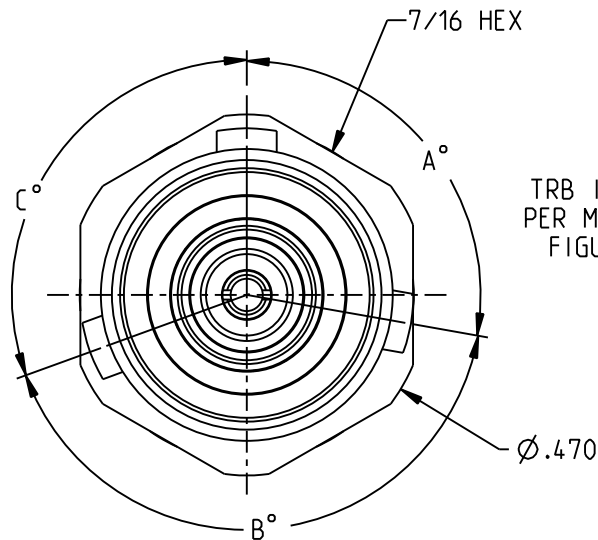
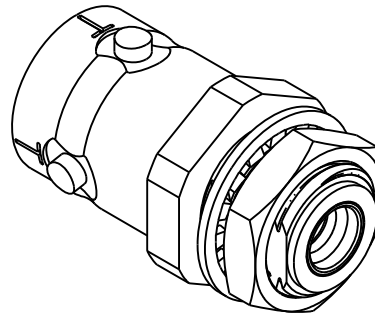
Tel: +86-755-8981 8866 Fax: +86-755-8427 6832

Email & Skype: info@chipsmall.com Web: www.chipsmall.com

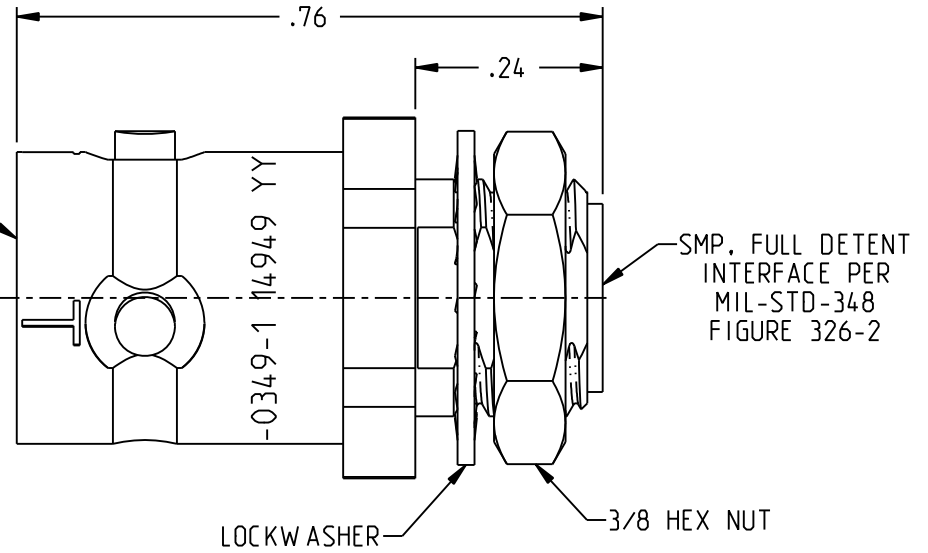
Address: A1208, Overseas Decoration Building, #122 Zhenhua RD., Futian, Shenzhen, China



| POLARIZATION CHART | | | | |
|--------------------|---------------|-----|-----|-----|
| TROMPETER PART NO | KEYING LETTER | A° | B° | C° |
| 3-0349-1 | T | 100 | 150 | 110 |
| 3-0349-2 | U | 120 | 130 | 110 |
| 3-0349-3 | V | 115 | 130 | 115 |
| 3-0349-4 | W | 125 | 110 | 125 |
| 3-0349-5 | X | 130 | 100 | 130 |
| 3-0349-6 | Y | 110 | 140 | 110 |
| 3-0349-7 | Z | 100 | 160 | 100 |
| 3-0349-8 | S | 135 | 135 | 90 |
| 3-0349-9 | NONE | 120 | 120 | 120 |



TRB INTERFACE
PER MIL-STD-348
FIGURE 201-2

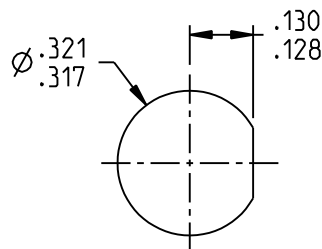


SMP, FULL DETENT
INTERFACE PER
MIL-STD-348
FIGURE 326-2

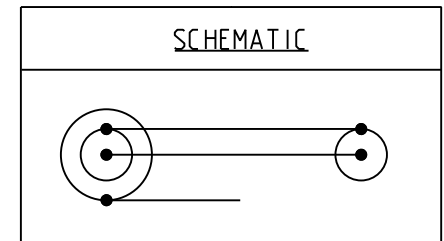
NOTES: UNLESS OTHERWISE SPECIFIED.

- MATERIAL & FINISH:
 - BODY: NICKEL PLATED BRASS
 - OUTER INSULATOR: PTFE (TEFLON)
 - INTERMEDIATE CONTACT: GOLD PLATED BRASS
 - DIELECTRIC: PTFE (TEFLON)
 - CENTER CONTACT: GOLD PLATED BERYLLIUM COPPER
 - MOUNTING HARDWARE: NICKEL PLATED COPPER ALLOY
- ELECTRICAL:
 - IMPEDANCE: NON-CONSTANT
 - FREQUENCY (MAX): 500 MHz
- PANEL THICKNESS (MAX): .10
- PANEL NUT TORQUE (MAX): 25 INCH POUND

3-0349-1 SHOWN



RECOMMENDED
PANEL CUTOUT



| | | | |
|--|---|--|--|
| | 3RD ANGLE PROJECTION | TROMPETER | |
| | This PROPRIETARY Document is property of Cinch Connectivity Solutions. It is confidential in nature, non-transferable, and issued with the clear understanding that it is not traced or copied without permission and is returnable upon demand. INTERPRET DRAWING IN ACCORDANCE WITH ASME Y14.5-2009. | RoHS2 <input checked="" type="checkbox"/> 2011/65/EU UNLESS OTHERWISE SPECIFIED UNITS: INCH .XX ±.02 .XXX ±.010 ANGLES ±2° | Title: ADAPTER, TRB JAC TO SMP MALE FULL DETENT BLKHD MNT. Model No. 3-0349-X |