



Chipsmall Limited consists of a professional team with an average of over 10 year of expertise in the distribution of electronic components. Based in Hongkong, we have already established firm and mutual-benefit business relationships with customers from,Europe,America and south Asia,supplying obsolete and hard-to-find components to meet their specific needs.

With the principle of “Quality Parts,Customers Priority,Honest Operation,and Considerate Service”,our business mainly focus on the distribution of electronic components. Line cards we deal with include Microchip,ALPS,ROHM,Xilinx,Pulse,ON,Everlight and Freescale. Main products comprise IC,Modules,Potentiometer,IC Socket,Relay,Connector.Our parts cover such applications as commercial,industrial, and automotives areas.

We are looking forward to setting up business relationship with you and hope to provide you with the best service and solution. Let us make a better world for our industry!



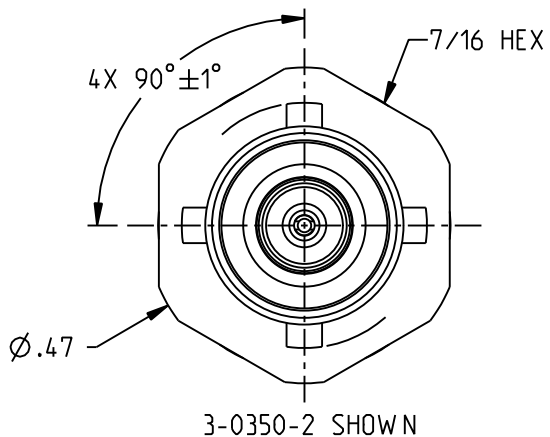
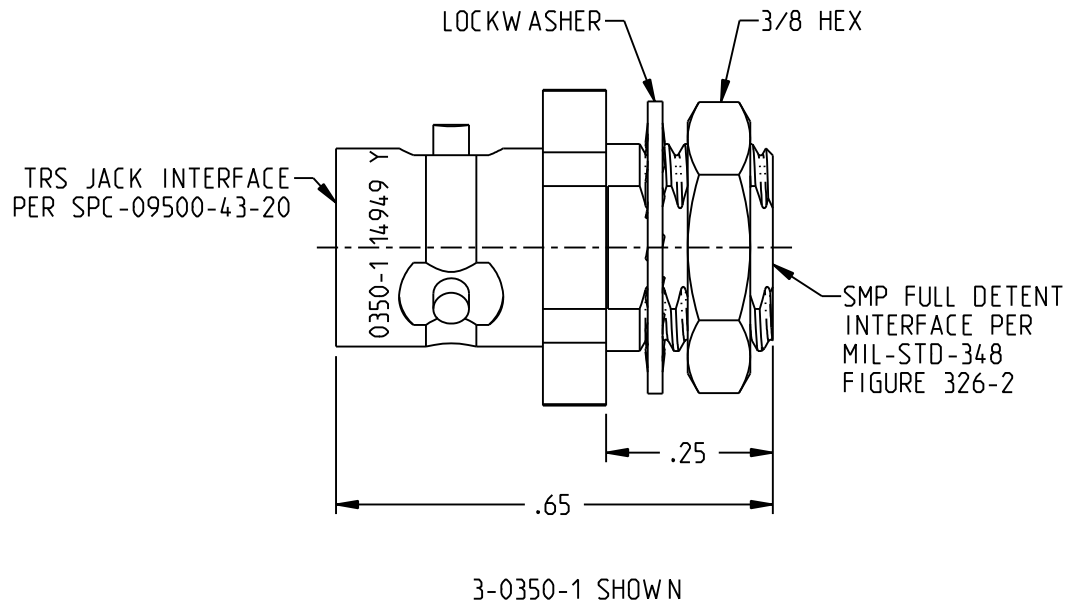
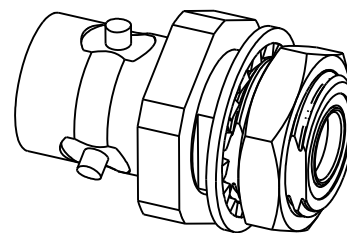
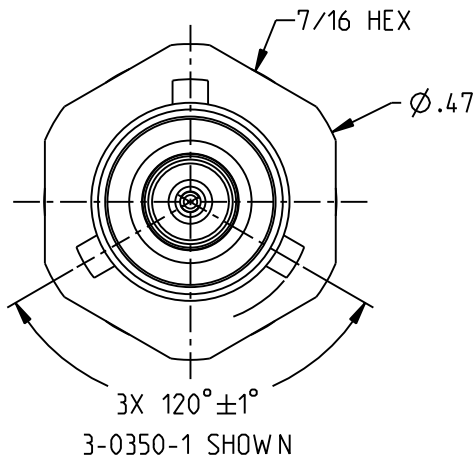
## Contact us

Tel: +86-755-8981 8866 Fax: +86-755-8427 6832

Email & Skype: info@chipsmall.com Web: www.chipsmall.com

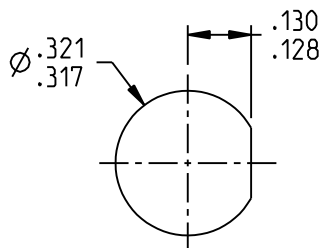
Address: A1208, Overseas Decoration Building, #122 Zhenhua RD., Futian, Shenzhen, China



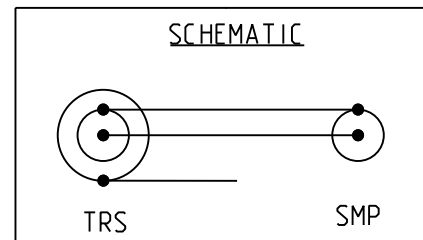


NOTES: UNLESS OTHERWISE SPECIFIED.

1. MATERIAL AND FINISH:
  - 1.1 BODY: NICKEL PLATED BRASS
  - 1.2 INSULATOR: PTFE (TEFLON)
  - 1.3 INTERMEDIATE CONTACT: GOLD PLATED BRASS
  - 1.4 DIELECTRIC: PTFE (TEFLON)
  - 1.5 CENTER CONTACT: GOLD PLATED BERYLLIUM COPPER
  - 1.6 MOUNTING HARDWARE: NICKEL PLATED ALLOY
2. ELECTRICAL:
  - 2.1 FREQUENCY (MAX): 500 MHZ
  - 2.2 IMPEDANCE: NON-CONSTANT
3. PANEL THICKNESS (MAX): .10
4. PANEL NUT TORQUE (MAX): 25 IN-LBS



RECOMMENDED  
PANEL CUTOUT



	3RD ANGLE PROJECTION 	<b>TROMPETER</b>	
	This PROPRIETARY Document is property of Cinch Connectivity Solutions. It is confidential in nature, non-transferable, and issued with the clear understanding that it is not to be traced or copied without permission and is returnable upon demand. INTERPRET DRAWING IN ACCORDANCE WITH ASME Y14.5-2009.	RoHS2 <input checked="" type="checkbox"/> 2011/65/EU UNLESS OTHERWISE SPECIFIED UNITS: INCH .XX ±.02 .XXX ±.010 ANGLES ±2°	Title: ADAPTER, TRS JACK TO MALE SMP, BLKHD MNT Model No.: 3-0350-X Date: 12/7/2017
Size A DO NOT SCALE DRAWING		Date: 12/7/2017	