



Chipsmall Limited consists of a professional team with an average of over 10 year of expertise in the distribution of electronic components. Based in Hongkong, we have already established firm and mutual-benefit business relationships with customers from,Europe,America and south Asia,supplying obsolete and hard-to-find components to meet their specific needs.

With the principle of “Quality Parts,Customers Priority,Honest Operation,and Considerate Service”,our business mainly focus on the distribution of electronic components. Line cards we deal with include Microchip,ALPS,ROHM,Xilinx,Pulse,ON,Everlight and Freescale. Main products comprise IC,Modules,Potentiometer,IC Socket,Relay,Connector.Our parts cover such applications as commercial,industrial, and automotives areas.

We are looking forward to setting up business relationship with you and hope to provide you with the best service and solution. Let us make a better world for our industry!



Contact us

Tel: +86-755-8981 8866 Fax: +86-755-8427 6832

Email & Skype: info@chipsmall.com Web: www.chipsmall.com

Address: A1208, Overseas Decoration Building, #122 Zhenhua RD., Futian, Shenzhen, China



Circuit Breaker for Equipment thermal vertical, THT terminals for PCB mounting, 1 pole



Description

- Thermal circuit breaker
- 1-pole
- On request available with elevated glow-wire ratings
- THT connectors

Unique Selling Proposition

- Reset type
- Cycling trip-free release
- Compact design
- Different mounting possibilities

Standards

- IEC 60934
- UL 1077
- CSA C22.2 No. 235
- GB 17701

Applications

- Designed for standard and medical applications
- Power supplies
- Uninterruptible power supply
- Power tools
- Industrial appliances
- HVAC
- Household appliances

Weblinks

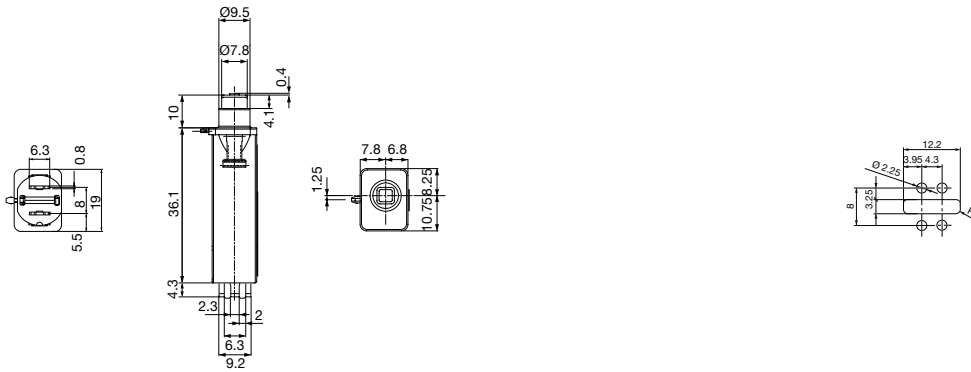
[pdf datasheet](#), [html-datasheet](#), [General Product Information](#), [Approvals](#), [CE declaration of conformity](#), [RoHS](#), [CHINA-RoHS](#), [REACH](#), [Distributor-Stock-Check](#), [Detailed request for product](#), [Product News](#), [Video](#)

Technical Data

Rated Voltage AC	240 V, 50 / 60 Hz	Ambient temperature	5-12 A: -5 °C to 60 °C
Rated Voltage DC	48 V		4 A: -5°C to 50 °C
Rated current	4-12 A	Soldering Methods	Wave
Conditional short circuit capacity	IEC: Inc, PC1, AC 240 V: 2 kA	Solderability	245 °C / 3sec acc. to IEC 60068-2-20 / Test Ta, method 1
	UL / CSA: SC, AC 240 V DC 48 / 32 V: 2 kA, C1	Resistance to Soldering Heat	260 °C / 10sec acc. to IEC 60068-2-20 / Test Tb, method 1A
Degree of protection front side	IP 40	Weight	approx. 12.5 g
Endurance minimum	IEC: 200% I _r , cos φ 0.6: min. 50 switching cycles		
Endurance typical	4-8 A: 150% I _r , cos φ 0.9: 2500 switching cycles		
	10-12 A: 150% I _r , cos φ 0.9: 6000 switching cycles		
Dielectric Strength	1500 VAC		
Insulation resistance	500 VDC > 1000 MΩ		

Detailed information on product approvals, code requirements, usage instructions and detailed test conditions can be looked up in [General Product Information](#)

Dimension

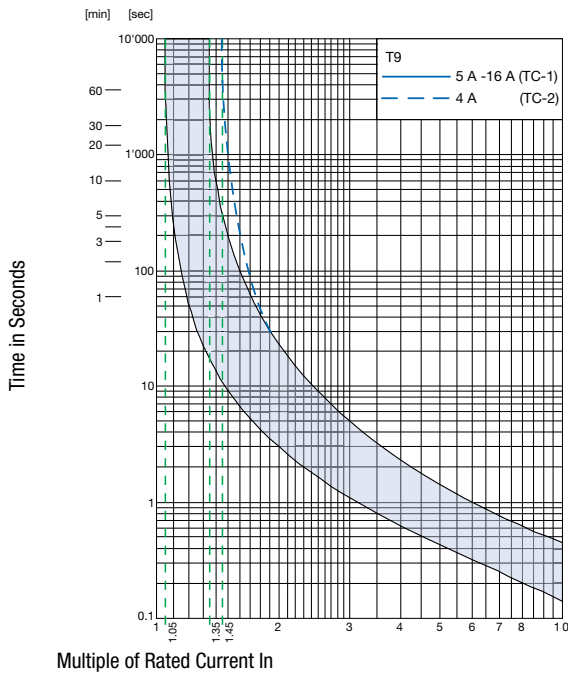


Approval		Rated current	Rated voltage AC	Rated voltage DC
US	UL 1077	4 - 12 A	240 V	48 V
US	CSA 22.2 235	4 - 12 A	240 V	48 V
	IEC 60934	4 - 12 A	240 V	48 V
	GB 17701	4 - 12 A	240 V	48 V

Typical internal resistance

Rated Current [A]	Internal Resistance [mΩ]
4	26.3
5	24.1
6	19.0
7	18.0
8	14.8
10	13.0
12	12.7

Time-Current-Curves



Multiple of Rated Current In

Reference Temperature +23°

Effect of ambient temperature

The units are calibrated for an ambient temperature of +23°C. To determine the rated current for a lower or higher ambient temperature, use a correction factor (typical value) from the table below:

Ambient temperature [°C]	Correction factor
-5	0,85
+10	0,95
+23	1,00
+40	1,08
+60	1,21

Example: Rated current = 10 A; Environmental temperature = 60 °C; --> Correction factor = 1.21; Resulting current = 12.1 A --> Fount to next higher rated current: 13 A

Variants

connection type	Rated current	Order Number
Solder, THT	4A	3-101-228
Solder, THT	5A	3-101-227
Solder, THT	6A	3-101-226
Solder, THT	7A	3-101-232
Solder, THT	8A	3-101-231
Solder, THT	10A	3-101-230
Solder, THT	12A	3-101-229

Availability for all products can be searched real-time:<http://www.schurter.com/en/Stock-Check/Stock-Check-SCHURTER>

Packaging Unit 100 Pcs