



Chipsmall Limited consists of a professional team with an average of over 10 year of expertise in the distribution of electronic components. Based in Hongkong, we have already established firm and mutual-benefit business relationships with customers from,Europe,America and south Asia,supplying obsolete and hard-to-find components to meet their specific needs.

With the principle of “Quality Parts,Customers Priority,Honest Operation,and Considerate Service”,our business mainly focus on the distribution of electronic components. Line cards we deal with include Microchip,ALPS,ROHM,Xilinx,Pulse,ON,Everlight and Freescale. Main products comprise IC,Modules,Potentiometer,IC Socket,Relay,Connector.Our parts cover such applications as commercial,industrial, and automotives areas.

We are looking forward to setting up business relationship with you and hope to provide you with the best service and solution. Let us make a better world for our industry!



Contact us

Tel: +86-755-8981 8866 Fax: +86-755-8427 6832

Email & Skype: info@chipsmall.com Web: www.chipsmall.com

Address: A1208, Overseas Decoration Building, #122 Zhenhua RD., Futian, Shenzhen, China



4

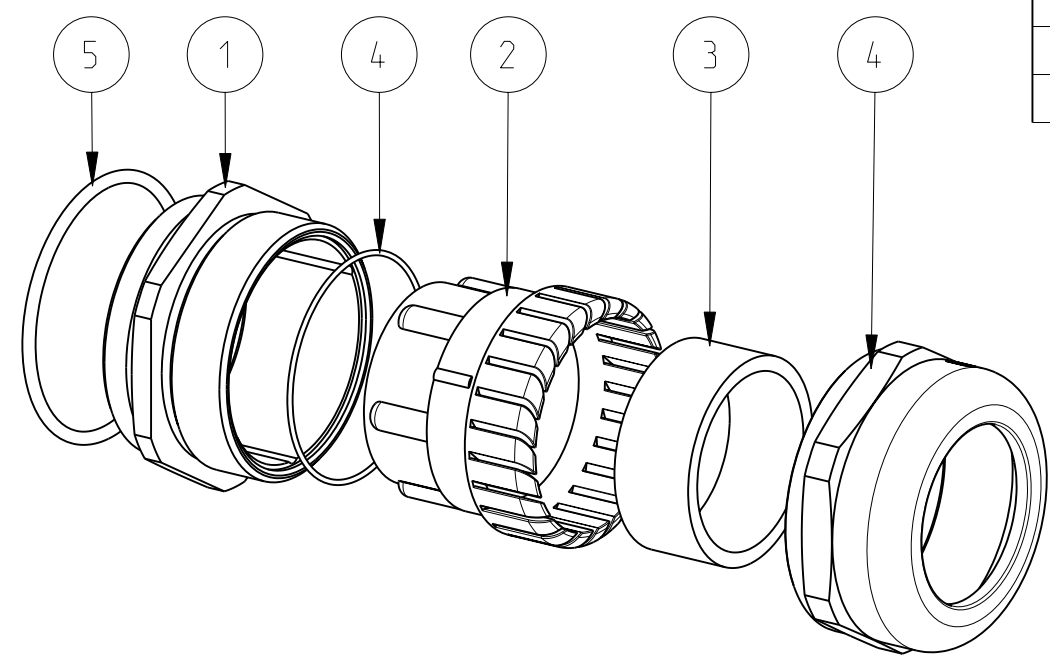
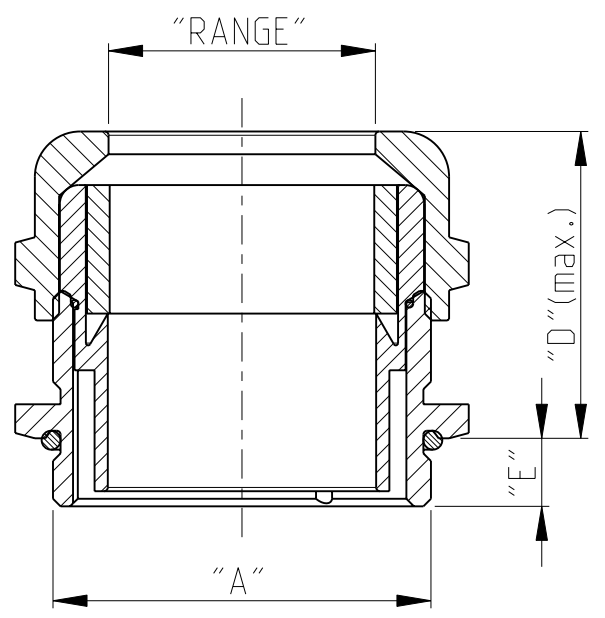
3

2

1

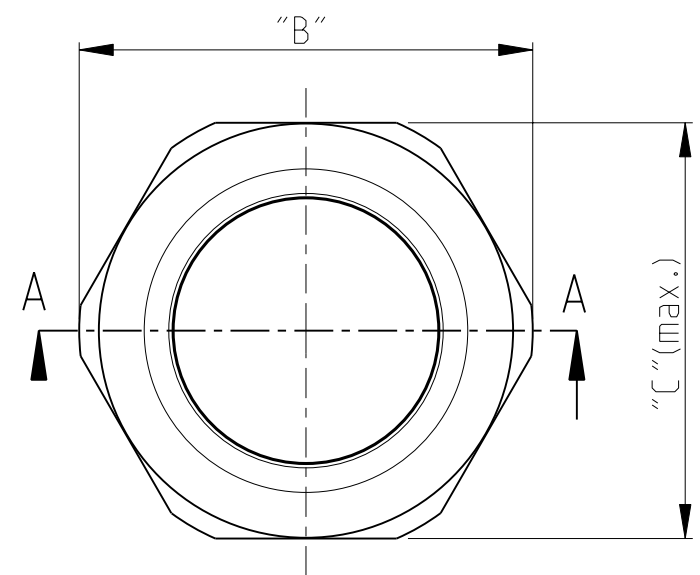
THIS DRAWING IS UNPUBLISHED. RELEASED FOR PUBLICATION 2006
 © COPYRIGHT 2006 ALL RIGHTS RESERVED.

LOC	DIST	REVISIONS					
A1	-	P	LTR	DESCRIPTION	DATE	DWN	APVD
			A3	REVISED PER ECO-11-008493	22APR2011	HMR	MM



Notes

- MATERIALS:
 BASE HOUSING & PRESSURE SCREW: BRASS, NICKEL PLATED
 SEALINGS: NBR, BLACK
 INSERT: PA
- STANDARDS:
 DIN EN 50262



PART NO.	DESCRIPTION	MATERIAL	SURFACE COLOR	DIMENSIONS					WEIGHT [kg]	ITEM
				"A"	"B"	"C"	"D"	"RANGE"		
5-0	PRESSURE NUT	BRASS	NICKEL PLATED	M50x1.5	SW 55	Ø60	40.0	Ø32-38	0.275	6
4-0	O-RING	NBR	BLACK	M40x1.5	SW 43	Ø46	34.0	Ø22-32	0.124	5
3-2	O-RING	NBR	BLACK	M32x1.5	SW 34	Ø36	30.0	Ø18-25	0.075	4
2-5	SEALING INSERT	NBR	BLACK	M25x1.5	SW 27	Ø30	27.0	Ø13-18	0.045	3
2-0	PRESSURE INSERT	PA	GREY	M20x1.5	SW 22	Ø24	27.0	Ø6-12	0.032	2
1-6	DOUBLE NIPPLE	BRASS	NICKEL PLATED	M16x1.5	SW 16	Ø19	25.0	Ø5-10	0.019	1

THIS DRAWING IS A CONTROLLED DOCUMENT.

DWN: H.BRAUN 20DEC2006
 CHK: -
 APVD: T.SCHNURPFEL 20DEC2006
 PRODUCT SPEC: -
 APPLICATION SPEC: -
 WEIGHT: -

STE TE Connectivity

NAME: ASS'Y CABLE GLAND SERIES HUT-MS, METRIC

SIZE: A3 CAGE CODE: 00779 DRAWING NO: C-1102770 RESTRICTED TO: -

CUSTOMER DRAWING SCALE: 1:1 SHEET: 1 OF 1 REV: A3

DIMENSIONS:		TOLERANCES UNLESS OTHERWISE SPECIFIED:	
mm			
0 PLC	±	0 PLC	±
1 PLC	±	1 PLC	±
2 PLC	±	2 PLC	±
3 PLC	±	3 PLC	±
4 PLC	±	4 PLC	±
ANGLES	±1°	FINISH	-