



Chipsmall Limited consists of a professional team with an average of over 10 year of expertise in the distribution of electronic components. Based in Hongkong, we have already established firm and mutual-benefit business relationships with customers from,Europe,America and south Asia,supplying obsolete and hard-to-find components to meet their specific needs.

With the principle of “Quality Parts,Customers Priority,Honest Operation,and Considerate Service”,our business mainly focus on the distribution of electronic components. Line cards we deal with include Microchip,ALPS,ROHM,Xilinx,Pulse,ON,Everlight and Freescale. Main products comprise IC,Modules,Potentiometer,IC Socket,Relay,Connector.Our parts cover such applications as commercial,industrial, and automotives areas.

We are looking forward to setting up business relationship with you and hope to provide you with the best service and solution. Let us make a better world for our industry!



## Contact us

Tel: +86-755-8981 8866 Fax: +86-755-8427 6832

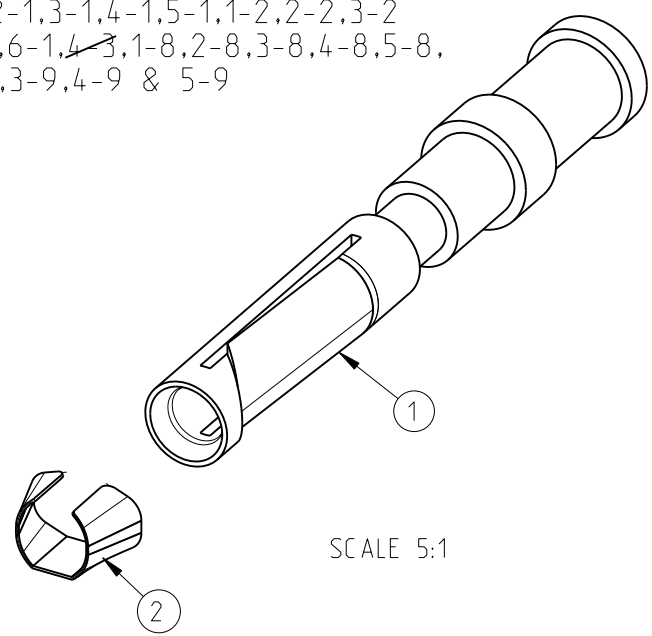
Email & Skype: info@chipsmall.com Web: www.chipsmall.com

Address: A1208, Overseas Decoration Building, #122 Zhenhua RD., Futian, Shenzhen, China

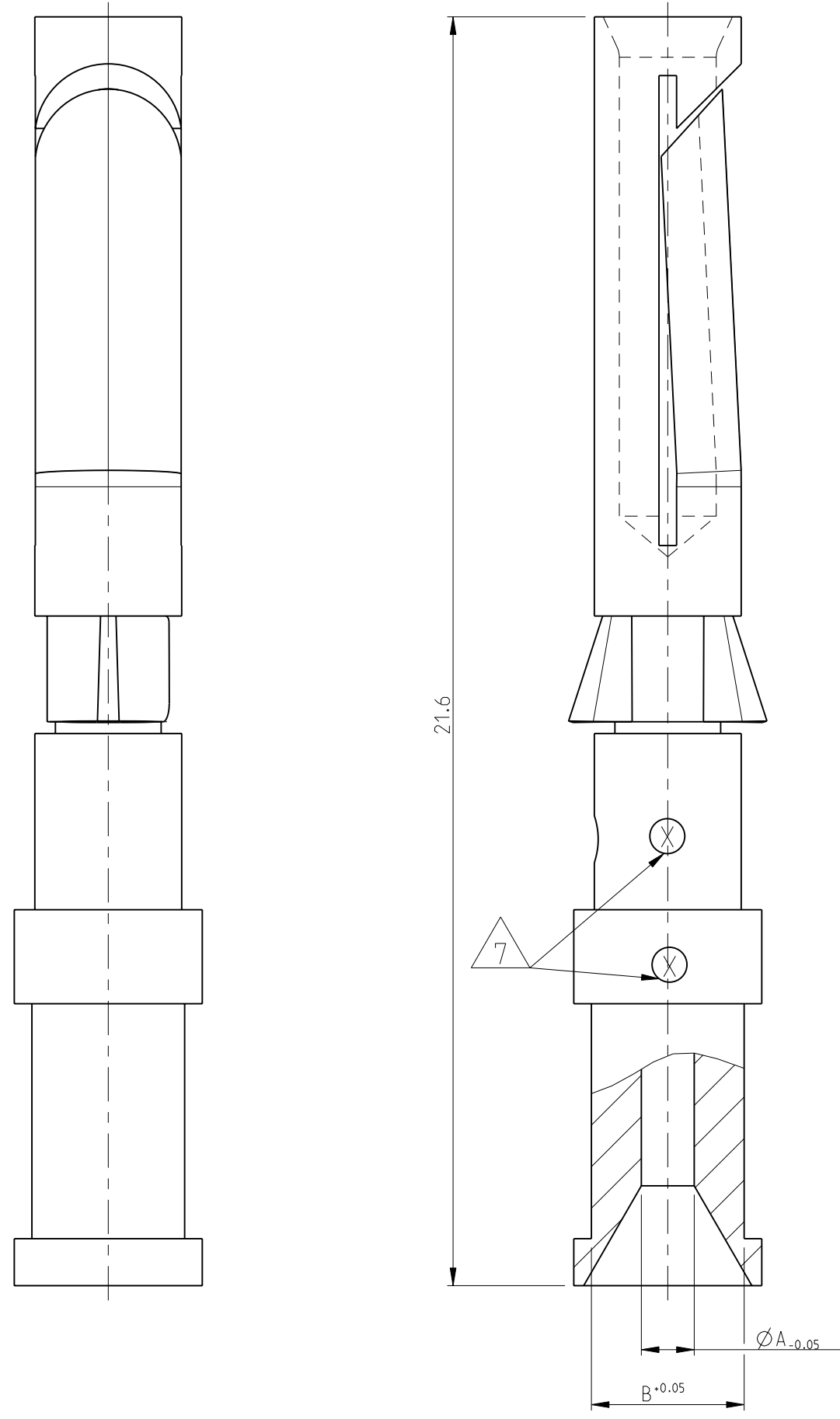


THIS DRAWING IS UNPUBLISHED. RELEASED FOR PUBLICATION 1997  
 © COPYRIGHT 1997 ALL RIGHTS RESERVED.

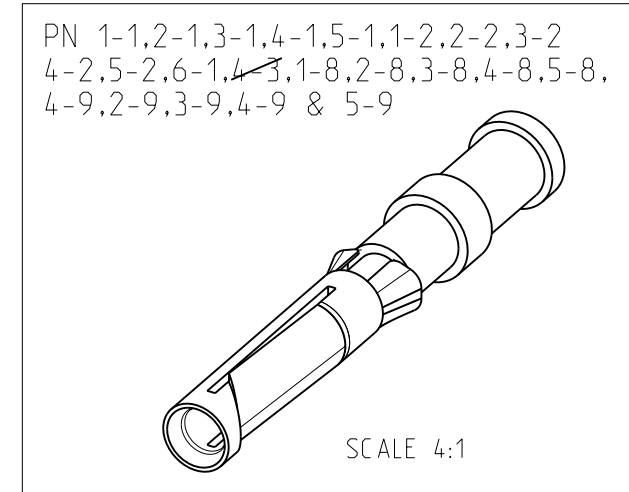
PN 1-1.2-1.3-1.4-1.5-1.1-2.2-2.3-2  
 4-2.5-2.6-1.4-3.1-8.2-8.3-8.4-8.5-8,  
 4-9.2-9.3-9.4-9 & 5-9



PN 1-1.2-1.3-1.4-1.5-1.1-2.2-2.3-2  
 4-2.5-2.6-1.4-3.1-8.2-8.3-8.4-8.5-8,  
 4-9.2-9.3-9.4-9 & 5-9



- NOTES
- 1 MATERIAL SEE TABLE
  - 2 SURFACE SEE TABLE
  - 3 ASSEMBLY WEIGHT SEE TABLE
  - 4 PACKAGING: 50 PIECES IN POLY-BAG 0-1243085-8
  - 5 PACKAGING: 500 PIECES IN POLY-BAG 0-1243085-8
  - 6 PACKAGING: 10 PIECES IN POLY-BAG 0-1243085-8
  - 7 CROSS-SECTION MARKING



QTY	DESCRIPTION	WEIGHT IN (Kg)	MATERIAL	SURFACE	ØA	ØB	CROSS SECTION MARKING	POS
1	Catch Spring		Stainless Steel					2
1	Socket Contact 1.5 mm <sup>2</sup>	0.00062	Brass	Ag/Ni	1.8	3.0		4
1	Socket Contact 4.0 mm <sup>2</sup>	0.00059	Brass	Ag/Ni	2.4	3.2		6
1	Socket Contact 2.5 mm <sup>2</sup>	0.00067	Brass	Au	2.2	3.2		5
1	Socket Contact 1.5 mm <sup>2</sup>	0.00067	Brass	Au	1.8	3.0		4
1	Socket Contact 0.75-10 mm <sup>2</sup>	0.00063	Brass	Au	1.45	2.6		3
1	Socket Contact 0.5 mm <sup>2</sup>	0.00062	Brass	Au	1.1	2.6		2
1	Socket Contact 0.14-0.37 mm <sup>2</sup>	0.00061	Brass	Au	0.9	2.6		1
1	Socket Contact 2.5 mm <sup>2</sup>	0.00065	Brass	Ag/Cu	2.2	3.2		5
1	Socket Contact 1.5 mm <sup>2</sup>	0.00067	Brass	Ag/Cu	1.8	3.0		4
1	Socket Contact 0.75-10 mm <sup>2</sup>	0.00063	Brass	Ag/Cu	1.45	2.6		3
1	Socket Contact 0.5 mm <sup>2</sup>	0.00062	Brass	Ag/Cu	1.1	2.6		2
1	Socket Contact 0.14-0.37 mm <sup>2</sup>	0.00061	Brass		0.9	2.6		1
1	Socket Contact 0.14-0.37 mm <sup>2</sup>	0.00065	Fe	Au	0.9	2.6		1
1	Socket Contact 0.14-0.37 mm <sup>2</sup>	0.00067	Brass	Ag/Cu	0.9	2.6		1

THIS DRAWING IS A CONTROLLED DOCUMENT.

DWN: Braun 23.07.1997  
 CHK: Schnurpfeil 23.07.1997  
 APVD: -

PRODUCT SPEC: 108-74018  
 APPLICATION SPEC: 114-74015  
 WEIGHT: -

NAME: SOCKET CONTACT SERIES HN.D  
 SIZE: A2  
 CAGE CODE: 00779  
 DRAWING NO: C=1105051  
 RESTRICTED TO: -

CUSTOMER DRAWING SCALE: 10:1 SHEET: 1 OF 1 REV: B4