



Chipsmall Limited consists of a professional team with an average of over 10 year of expertise in the distribution of electronic components. Based in Hongkong, we have already established firm and mutual-benefit business relationships with customers from,Europe,America and south Asia,supplying obsolete and hard-to-find components to meet their specific needs.

With the principle of “Quality Parts,Customers Priority,Honest Operation,and Considerate Service”,our business mainly focus on the distribution of electronic components. Line cards we deal with include Microchip,ALPS,ROHM,Xilinx,Pulse,ON,Everlight and Freescale. Main products comprise IC,Modules,Potentiometer,IC Socket,Relay,Connector.Our parts cover such applications as commercial,industrial, and automotives areas.

We are looking forward to setting up business relationship with you and hope to provide you with the best service and solution. Let us make a better world for our industry!



## Contact us

Tel: +86-755-8981 8866 Fax: +86-755-8427 6832

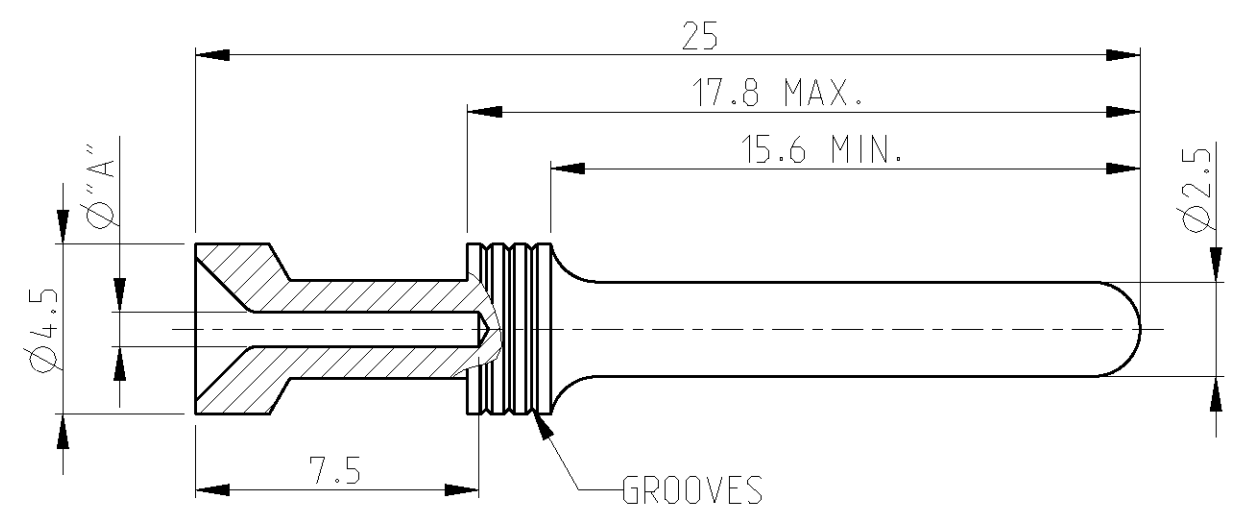
Email & Skype: info@chipsmall.com Web: www.chipsmall.com

Address: A1208, Overseas Decoration Building, #122 Zhenhua RD., Futian, Shenzhen, China



THIS DRAWING IS UNPUBLISHED. RELEASED FOR PUBLICATION 2006  
 © COPYRIGHT BY ALL RIGHTS RESERVED.

| LOC | DIST | REVISIONS |     |                           |         |     |      |
|-----|------|-----------|-----|---------------------------|---------|-----|------|
| A1  | -    | P         | LTR | DESCRIPTION               | DATE    | DWN | APVD |
|     |      | J4        |     | REVISED PER ECO-11-005294 | 27APR11 | RK  | HMR  |



Notes

- 1 MATERIAL: BRASS
- 2 FINISH SILVER PLATING: 2 µm Ag MIN. OVER Cu
- 3 FINISH GOLD PLATING: 0.75 µm Au MIN. OVER Ni
- 4 FINISH TIN PLATING: 0.6 µm Sn MIN. OVER Cu
- 5 NO VENTILATION HOLE REQUIRED AT CROSS-SECTION >4.0 MM<sup>2</sup>
- 6 WEIGHT: 1.35 g. PER PIECE (APPROX.)
- 7 PACKAGING: 50 PIECES IN POLYBAG
- 8 PACKAGING: 500 PIECES IN POLYBAG & CARTON
- 9 PACKAGING: 5000 PIECES IN POLYBAG & CARTON
- 10 PACKAGING: 20000 PIECES IN POLYBAGS & CARTONS
- 11 SUITABLE SOCKET CONTACT: CUSTOMER DRAWING 1105101
- 12 SUITABLE INSERTS: SERIES HA, HE, HVE, HVS, CUSTOMER DRAWING
- 13 SUITABLE CRIMP TOOL: PN 1-1105851-8
- 14 SUITABLE INSERTION TOOL: PN 0-1102855-6
- 15 SUITABLE EXTRACTION TOOL: PN 0-1102855-7
- 16 STANDARDS: DIN EN 61984, DIN EN 60664-1

17 OBSOLETE

|   |             |                    |      |               |         |          |           |            |
|---|-------------|--------------------|------|---------------|---------|----------|-----------|------------|
| HE/HA-C-Sti.Sn 4.0mm <sup>2</sup>       | TIN<br>4    | 4.0                | 2.8  | -             | -       | 5-0      | -         | 5-3        |
| HE/HA-C-Sti.Sn 2.5mm <sup>2</sup>       |             | 2.5                | 2.2  | 3             | -       | 4-0      | -         | 4-3        |
| HE/HA-C-Sti.Sn 1.5mm <sup>2</sup>       |             | 1.5                | 1.7  | 2             | -       | 3-0      | -         | 3-3        |
| HE/HA-C-Sti.Au 4.0mm <sup>2</sup>       | GOLD<br>3   | 4.0                | 2.8  | -             | 5-2     | 5-9      | -         | -          |
| HE/HA-C-Sti.Au 2.5mm <sup>2</sup>       |             | 2.5                | 2.2  | 3             | 4-2     | 4-9      | -         | -          |
| HE/HA-C-Sti.Au 1.5mm <sup>2</sup>       |             | 1.5                | 1.7  | 2             | 3-2     | 3-9      | -         | -          |
| HE/HA-C-Sti.Au 0.75-1.0mm <sup>2</sup>  |             | 0.75-1.0           | 1.4  | 1             | 2-2     | 2-9      | -         | -          |
| HE/HA-C-Sti.Au 0.5mm <sup>2</sup>       | 0.5         | 1.1                | -    | 1-2           | 1-9     | -        | -         |            |
| HE/HA-C-Sti.Au 0.14-0.37mm <sup>2</sup> | 0.14-0.37   | 0.9                | 3    | 6-2           | 6-9     | -        | -         |            |
| HE/HA-C-Sti.Ag 4.0mm <sup>2</sup>       | SILVER<br>2 | 4.0                | 2.8  | -             | 5-1     | 5-8      | -         | -          |
| HE/HA-C-Sti.Ag 2.5mm <sup>2</sup>       |             | 2.5                | 2.2  | 3             | 4-1     | 4-8      | 7-1       | -          |
| HE/HA-C-Sti.Ag 1.5mm <sup>2</sup>       |             | 1.5                | 1.7  | 2             | 3-1     | 3-8      | 17        | -          |
| HE/HA-C-Sti.Ag 0.75-1.0mm <sup>2</sup>  |             | 0.75-1.0           | 1.4  | 1             | 2-1     | 2-8      | -         | -          |
| HE/HA-C-Sti.Ag 0.5mm <sup>2</sup>       |             | 0.5                | 1.1  | -             | 1-1     | 1-8      | -         | -          |
| HE/HA-C-Sti.Ag 0.14-0.37mm <sup>2</sup> | 0.14-0.37   | 0.9                | 3    | 6-1           | 6-8     | -        | -         |            |
|   |             | [MM <sup>2</sup> ] | "A"  | NO.OF GROOVES | P.U.=50 | P.U.=500 | P.U.=5000 | P.U.=20000 |
| ORDERING TEXT                           | PLATING     | CROSS SECTION      | DIMS | MARKINGS      | BAG     | BOX      | BOX       | BOX        |

PARTS LIST

|  |  |                           |                 |
|--|--|---------------------------|-----------------|
| DWN H.BRAUN 21Apr2010                  |  | <b>TE</b> TE Connectivity |                 |
| CHK -                                  |  |                           |                 |
| APVD T.SCHNURPFEL 29AUG2007            |  | NAME                      |                 |
| PRODUCT SPEC 108-74004                 |  | PIN CONTACT               |                 |
| APPLICATION SPEC 114-74003             |  | SERIES HA, HE, HVE        |                 |
| WEIGHT -                               |  | SIZE A3                   | CAGE CODE 00779 |
| MATERIAL 1                             |  | DRAWING NO C=1105100      | RESTRICTED TO - |
| FINISH 2 3 4                           |  | SCALE 5:1                 | SHEET 1 OF 1    |
| DIMENSIONS: mm                         |  | REV J4                    |                 |
| TOLERANCES UNLESS OTHERWISE SPECIFIED: |  | CUSTOMER DRAWING          |                 |
| 0 PLC ±                                |  |                           |                 |
| 1 PLC ±                                |  |                           |                 |
| 2 PLC ±                                |  |                           |                 |
| 3 PLC ±                                |  |                           |                 |
| 4 PLC ±                                |  |                           |                 |
| ANGLES ±0.5°                           |  |                           |                 |