



Chipsmall Limited consists of a professional team with an average of over 10 year of expertise in the distribution of electronic components. Based in Hongkong, we have already established firm and mutual-benefit business relationships with customers from,Europe,America and south Asia,supplying obsolete and hard-to-find components to meet their specific needs.

With the principle of “Quality Parts,Customers Priority,Honest Operation,and Considerate Service”,our business mainly focus on the distribution of electronic components. Line cards we deal with include Microchip,ALPS,ROHM,Xilinx,Pulse,ON,Everlight and Freescale. Main products comprise IC,Modules,Potentiometer,IC Socket,Relay,Connector.Our parts cover such applications as commercial,industrial, and automotives areas.

We are looking forward to setting up business relationship with you and hope to provide you with the best service and solution. Let us make a better world for our industry!



## Contact us

Tel: +86-755-8981 8866 Fax: +86-755-8427 6832

Email & Skype: info@chipsmall.com Web: www.chipsmall.com

Address: A1208, Overseas Decoration Building, #122 Zhenhua RD., Futian, Shenzhen, China



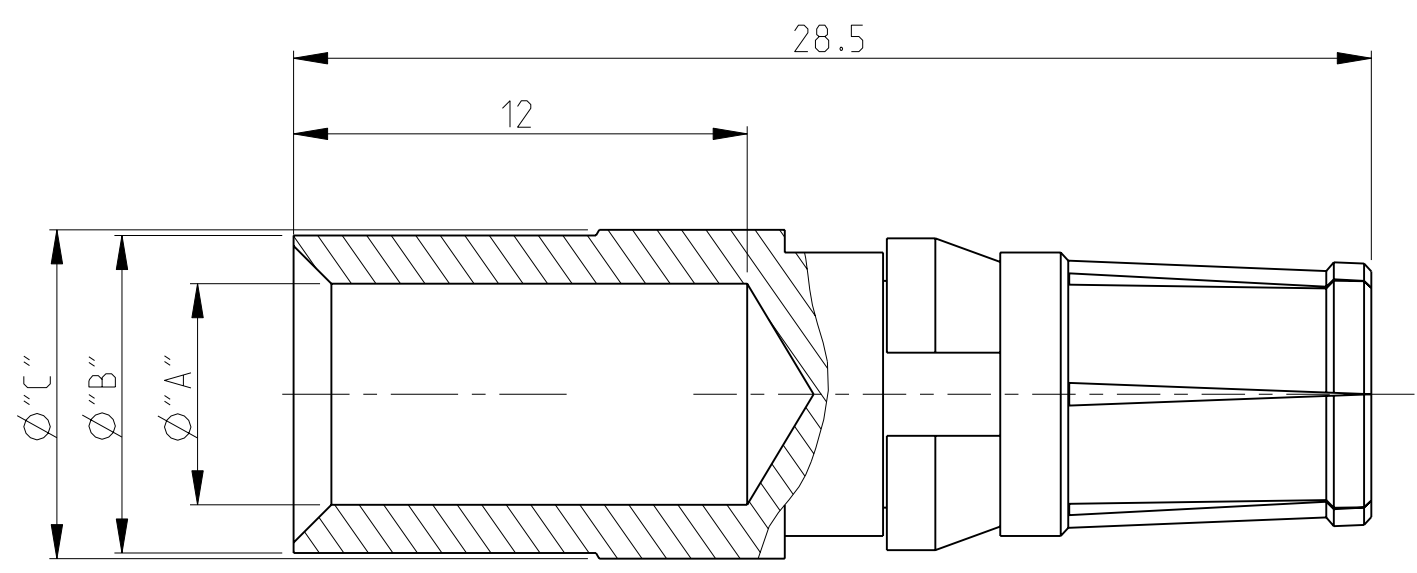
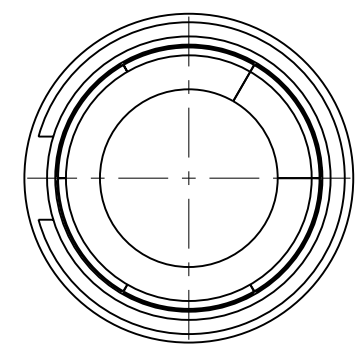
THIS DRAWING IS UNPUBLISHED. RELEASED FOR PUBLICATION 2006  
 © COPYRIGHT 2006 ALL RIGHTS RESERVED.

| LOC | DIST | REVISIONS |     |                           |           |     |      |
|-----|------|-----------|-----|---------------------------|-----------|-----|------|
|     |      | P         | LTR | DESCRIPTION               | DATE      | DWN | APVD |
| B1  | -    | C3        |     | REVISED PER ECO-11-005150 | 31MAR2011 | RK  | HMR  |
|     |      | C4        |     | ECR-11-021594             | 11NOV2011 | RK  | MKO  |

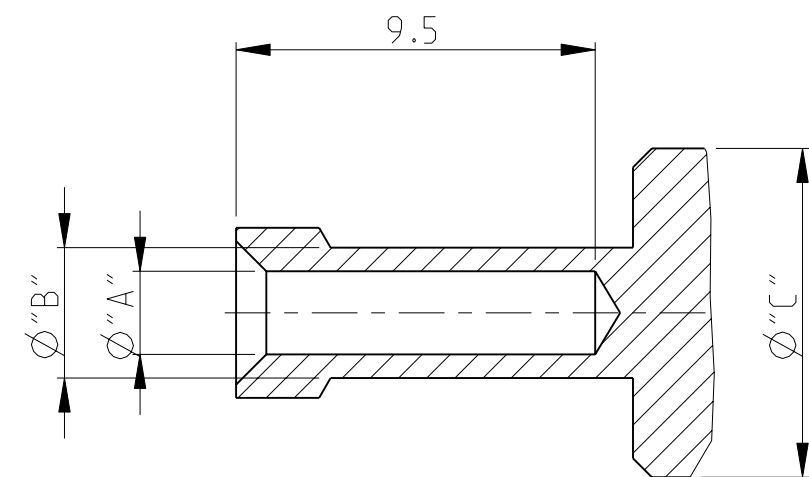
Notes

- 1 MATERIAL: BRASS
- 2 FINISH SILVER PLATING: 2 µm Ag MIN. OVER Cu
- 3 FINISH GOLD PLATING: 0.75 µm Au MIN. OVER Ni
- 4 WEIGHT (MAX.): 6.44 g, VOLUME (MAX.): 795mm<sup>3</sup> (APPROX.)
- 5 SUITABLE PIN CONTACT: CUSTOMER DRAWING 1105150
- 6 SUITABLE INSERTS: SERIES HSS, CUSTOMER DRAWING
- 7 SUITABLE CRIMP TOOL: PN 1-1105850-8
- 8 SUITABLE INSERTION TOOL: -
- 9 SUITABLE EXTRACTION TOOL: PN 0-1102855-5
- 10 FINE WIRE DIA. MAX. Ø4.5
- 11 STANDARDS: DIN EN 61984, DIN EN 60664-1
- 12 PACKAGING: 25 PIECES IN A POLY-BAG
- 13 PACKAGING: 1 PIECE LOOSE

WIRE CROSS-SECTION:  
Ø6mm<sup>2</sup>- 16mm<sup>2</sup>



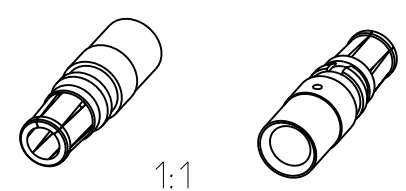
WIRE CROSS-SECTION:  
Ø2.5mm<sup>2</sup>/ 4mm<sup>2</sup>



| HSS-C-Bu.Au.16.0 mm <sup>2</sup> | HSS-C-Bu.Au.10.0 mm <sup>2</sup> | HSS-C-Bu.Au.6.0 mm <sup>2</sup> | HSS-C-Bu.Ag.25.0 mm <sup>2</sup> | HSS-C-Bu.Ag.16.0 mm <sup>2</sup> | HSS-C-Bu.Ag.10.0 mm <sup>2</sup> -fine | HSS-C-Bu.Ag.10.0 mm <sup>2</sup> | HSS-C-Bu.Ag.6.0 mm <sup>2</sup> | HSS-C-Bu.Ag.4.0 mm <sup>2</sup> | HSS-C-Bu.Ag.2.5 mm <sup>2</sup> | HSS-C-Bu.25.0 mm <sup>2</sup> | HSS-C-Bu.16.0 mm <sup>2</sup> | HSS-C-Bu.10.0 mm <sup>2</sup> -fine | HSS-C-Bu.10.0 mm <sup>2</sup> | HSS-C-Bu.6.0 mm <sup>2</sup> | HSS-C-Bu.4.0 mm <sup>2</sup> | HSS-C-Bu.2.5 mm <sup>2</sup> | 12 |    | 13 |    | RAW PART |  |
|----------------------------------|----------------------------------|---------------------------------|----------------------------------|----------------------------------|--|----------------------------------|---------------------------------|---------------------------------|---------------------------------|-------------------------------|-------------------------------|-------------------------------------|-------------------------------|------------------------------|------------------------------|------------------------------|----|----|----|----|----------|--|
|                                  |                                  |                                 |                                  |                                  |  |                                  |                                 |                                 |                                 |                               |                               |                                     |                               |                              |                              |                              | PN | PN | PN | PN |          |  |
| GOLD                             | 16.0                             | 5.85                            | 8.4                              | 8.7                              | 12                                     | 5-2                              | 9-3                             | 7-9                             | -                               |                               |                               |                                     |                               |                              |                              |                              |    |    |    |    |          |  |
| GOLD                             | 10.0                             | 4.35                            | 5.9                              | 8.7                              | 12                                     | 4-2                              | 9-2                             | 7-8                             | -                               |                               |                               |                                     |                               |                              |                              |                              |    |    |    |    |          |  |
| GOLD                             | 6.0                              | 3.5                             | 4.9                              | 8.7                              | 12                                     | 3-2                              | 9-1                             | 7-7                             | -                               |                               |                               |                                     |                               |                              |                              |                              |    |    |    |    |          |  |
| SILVER                           | 25.0                             | 7.0                             | 9.45                             | 9.6                              | 12                                     | 6-1                              | 8-7                             | 7-6                             | -                               |                               |                               |                                     |                               |                              |                              |                              |    |    |    |    |          |  |
| SILVER                           | 16.0                             | 5.85                            | 8.4                              | 8.7                              | 12                                     | 5-1                              | 8-6                             | 7-5                             | -                               |                               |                               |                                     |                               |                              |                              |                              |    |    |    |    |          |  |
| SILVER                           | 10.0                             | 4.6                             | 5.9                              | 8.7                              | 12                                     | 4-3                              | 8-5                             | 7-4                             | -                               |                               |                               |                                     |                               |                              |                              |                              |    |    |    |    |          |  |
| SILVER                           | 10.0                             | 4.35                            | 5.9                              | 8.7                              | 12                                     | 4-1                              | 8-4                             | 7-3                             | -                               |                               |                               |                                     |                               |                              |                              |                              |    |    |    |    |          |  |
| SILVER                           | 6.0                              | 3.5                             | 4.9                              | 8.7                              | 12                                     | 3-1                              | 8-3                             | 7-2                             | -                               |                               |                               |                                     |                               |                              |                              |                              |    |    |    |    |          |  |
| SILVER                           | 4.0                              | 2.8                             | 3.9                              | 8.7                              | 12                                     | 2-1                              | 8-2                             | 7-1                             | -                               |                               |                               |                                     |                               |                              |                              |                              |    |    |    |    |          |  |
| SILVER                           | 2.5                              | 2.2                             | 3.45                             | 8.7                              | 12                                     | 1-1                              | 8-1                             | 7-0                             | -                               |                               |                               |                                     |                               |                              |                              |                              |    |    |    |    |          |  |
| CuZn36Pb1.5F43                   | 25.0                             | 7.0                             | 9.45                             | 9.6                              | -                                      | -                                | -                               | -                               | 0-7                             |                               |                               |                                     |                               |                              |                              |                              |    |    |    |    |          |  |
| CuZn36Pb1.5F43                   | 16.0                             | 5.85                            | 8.4                              | 8.7                              | -                                      | -                                | -                               | -                               | 0-6                             |                               |                               |                                     |                               |                              |                              |                              |    |    |    |    |          |  |
| CuZn36Pb1.5F43                   | 10.0                             | 4.6                             | 5.9                              | 8.7                              | -                                      | -                                | -                               | -                               | 0-5                             |                               |                               |                                     |                               |                              |                              |                              |    |    |    |    |          |  |
| CuZn36Pb1.5F43                   | 10.0                             | 4.35                            | 5.9                              | 8.7                              | -                                      | -                                | -                               | -                               | 0-4                             |                               |                               |                                     |                               |                              |                              |                              |    |    |    |    |          |  |
| CuZn36Pb1.5F43                   | 6.0                              | 3.5                             | 4.9                              | 8.7                              | -                                      | -                                | -                               | -                               | 0-3                             |                               |                               |                                     |                               |                              |                              |                              |    |    |    |    |          |  |
| CuZn36Pb1.5F43                   | 4.0                              | 2.8                             | 3.9                              | 8.7                              | -                                      | -                                | -                               | -                               | 0-2                             |                               |                               |                                     |                               |                              |                              |                              |    |    |    |    |          |  |
| CuZn36Pb1.5F43                   | 2.5                              | 2.2                             | 3.45                             | 8.7                              | -                                      | -                                | -                               | -                               | 0-1                             |                               |                               |                                     |                               |                              |                              |                              |    |    |    |    |          |  |
|                                  |                                  | [MM <sup>2</sup> ]              | "A"                              | "B"                              | "C"                                    | [MM]                             | PN                              | PN                              | PN                              | PN                            |                               |                                     |                               |                              |                              |                              |    |    |    |    |          |  |
| ORDERING TEXT                    | PLATING                          | CROSS SECTION                   | DIMENSIONS                       |                                  |  | STRIPPING-LENGTH                 | WITH CLIP                       | WITHOUT CLIP                    | RAW PART                        |                               |                               |                                     |                               |                              |                              |                              |    |    |    |    |          |  |

PARTS LIST

|  |  |                                   |                                   |  |
|--|--|-----------------------------------|-----------------------------------|--|
| THIS DRAWING IS A CONTROLLED DOCUMENT. |  | DWN<br>K.SCHROEDER<br>10APR2008   | TE Connectivity                   |  |
| DIMENSIONS: mm                         |  | CHK<br>H.BRAUN<br>10APR2008       |                                   |  |
| TOLERANCES UNLESS OTHERWISE SPECIFIED: |  | APVD<br>T.SCHNURPFEL<br>10APR2008 | NAME<br>SOCKET CONTACT SERIES HSS |  |
| 0 PLC ±                                |  | PRODUCT SPEC                      | SIZE                              |  |
| 1 PLC ±                                |  | 108-74016                         | CAGE CODE                         |  |
| 2 PLC ±                                |  | APPLICATION SPEC                  | DRAWING NO                        |  |
| 3 PLC ±                                |  | 114-74028                         | RESTRICTED TO                     |  |
| 4 PLC ±                                |  | WEIGHT                            | A2 00779                          |  |
| ANGLES ±0.5°                           |  | CUSTOMER DRAWING                  | SCALE 5:1                         |  |
| FINISH                                 |  |                                   | SHEET 1 OF 1                      |  |
| 1                                      |  |                                   | REV C4                            |  |



1:1