



Chipsmall Limited consists of a professional team with an average of over 10 year of expertise in the distribution of electronic components. Based in Hongkong, we have already established firm and mutual-benefit business relationships with customers from,Europe,America and south Asia,supplying obsolete and hard-to-find components to meet their specific needs.

With the principle of “Quality Parts,Customers Priority,Honest Operation,and Considerate Service”,our business mainly focus on the distribution of electronic components. Line cards we deal with include Microchip,ALPS,ROHM,Xilinx,Pulse,ON,Everlight and Freescale. Main products comprise IC,Modules,Potentiometer,IC Socket,Relay,Connector.Our parts cover such applications as commercial,industrial, and automotives areas.

We are looking forward to setting up business relationship with you and hope to provide you with the best service and solution. Let us make a better world for our industry!



## Contact us

Tel: +86-755-8981 8866 Fax: +86-755-8427 6832

Email & Skype: info@chipsmall.com Web: www.chipsmall.com

Address: A1208, Overseas Decoration Building, #122 Zhenhua RD., Futian, Shenzhen, China



4

3

2

1

THIS DRAWING IS UNPUBLISHED.

RELEASED FOR PUBLICATION

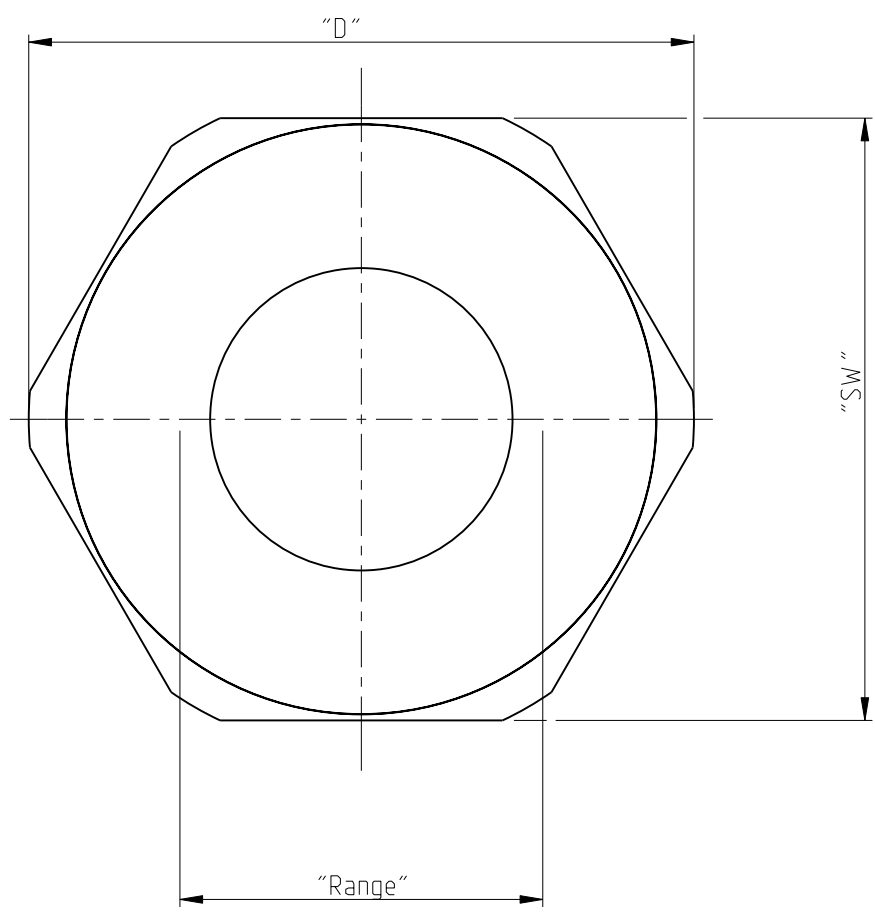
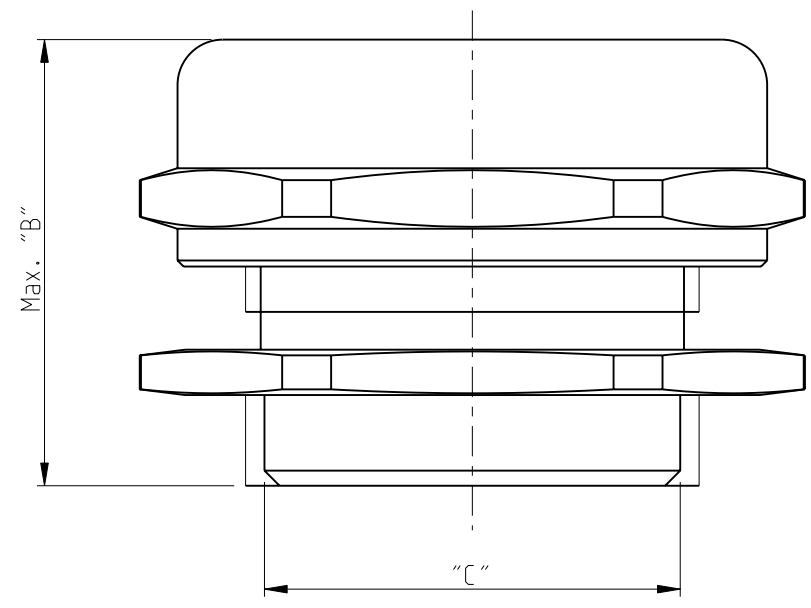
20

© COPYRIGHT 1997

BY -

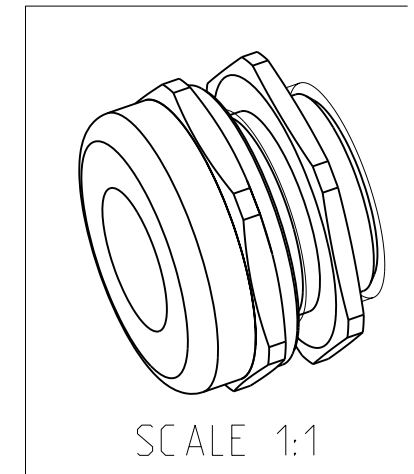
ALL RIGHTS RESERVED.

LOC	DIST	REVISIONS				
P	LTR	DESCRIPTION	DATE	DWN	APVD	
A1	-	A4	REVISED PER ECO-11-005030	24MAR2011	RK	HMR



NOTES

- 1 PARTS SHELL BE FREE AND CLEAN OF BURRS AND OTHER FOREIGN MATERIAL
- 2 MATERIALS  
BASE HOUSING & PRESSURE SCREW: BRASS, NICKEL PLATED  
SEALINGS: NBR, INSERT: PA
- 3 PACKAGING  
QUANTITY: 10 PIECES



1-9	HUT.11.MS	5-10	23.5	PG11	22.2	20
2-9	HUT.13.MS	6-12	25	PG13.5	24.4	22
3-9	HUT.16.MS	10-14	25	PG16	26.7	24
4-9	HUT.21.MS	13-18	27	PG21	33.5	30
5-9	HUT.29.MS	18-25	31	PG29	44	40
6-9	HUT.36.MS	24-32	36	PG36	54	50
7-9	HUT.42.MS	30-38	39	PG42	61	57
8-9	HUT.48.MS	34-44	42	PG48	69	64
PN	ORDERING TEXT	RANGE	B	C	D	SW
			DIMENSIONS (mm)			

THIS DRAWING IS A CONTROLLED DOCUMENT.		DWN	Schneider	08.02.01	<b>STE</b> TE Connectivity					
DIMENSIONS: mm		CHK	Schweiger	08.02.01						
TOLERANCES UNLESS OTHERWISE SPECIFIED: n. ISO 8015 n. ISO 2768-mH-E DIN 16901-120		APVD	-	-						
0 PLC ± 1 PLC ± 2 PLC ± 3 PLC ± 4 PLC ± ANGLES ±		PRODUCT SPEC	-	NAME						
MATERIAL -		FINISH -	APPLICATION SPEC -		Gland Fitting					
		WEIGHT -	SIZE	A3	CAGE CODE	00779	DRAWING NO	C=1106006	RESTRICTED TO	-
CUSTOMER DRAWING			SCALE	1:1	SHEET	1	OF	1	REV	A4