



Chipsmall Limited consists of a professional team with an average of over 10 year of expertise in the distribution of electronic components. Based in Hongkong, we have already established firm and mutual-benefit business relationships with customers from,Europe,America and south Asia,supplying obsolete and hard-to-find components to meet their specific needs.

With the principle of “Quality Parts,Customers Priority,Honest Operation,and Considerate Service”,our business mainly focus on the distribution of electronic components. Line cards we deal with include Microchip,ALPS,ROHM,Xilinx,Pulse,ON,Everlight and Freescale. Main products comprise IC,Modules,Potentiometer,IC Socket,Relay,Connector.Our parts cover such applications as commercial,industrial, and automotives areas.

We are looking forward to setting up business relationship with you and hope to provide you with the best service and solution. Let us make a better world for our industry!



Contact us

Tel: +86-755-8981 8866 Fax: +86-755-8427 6832

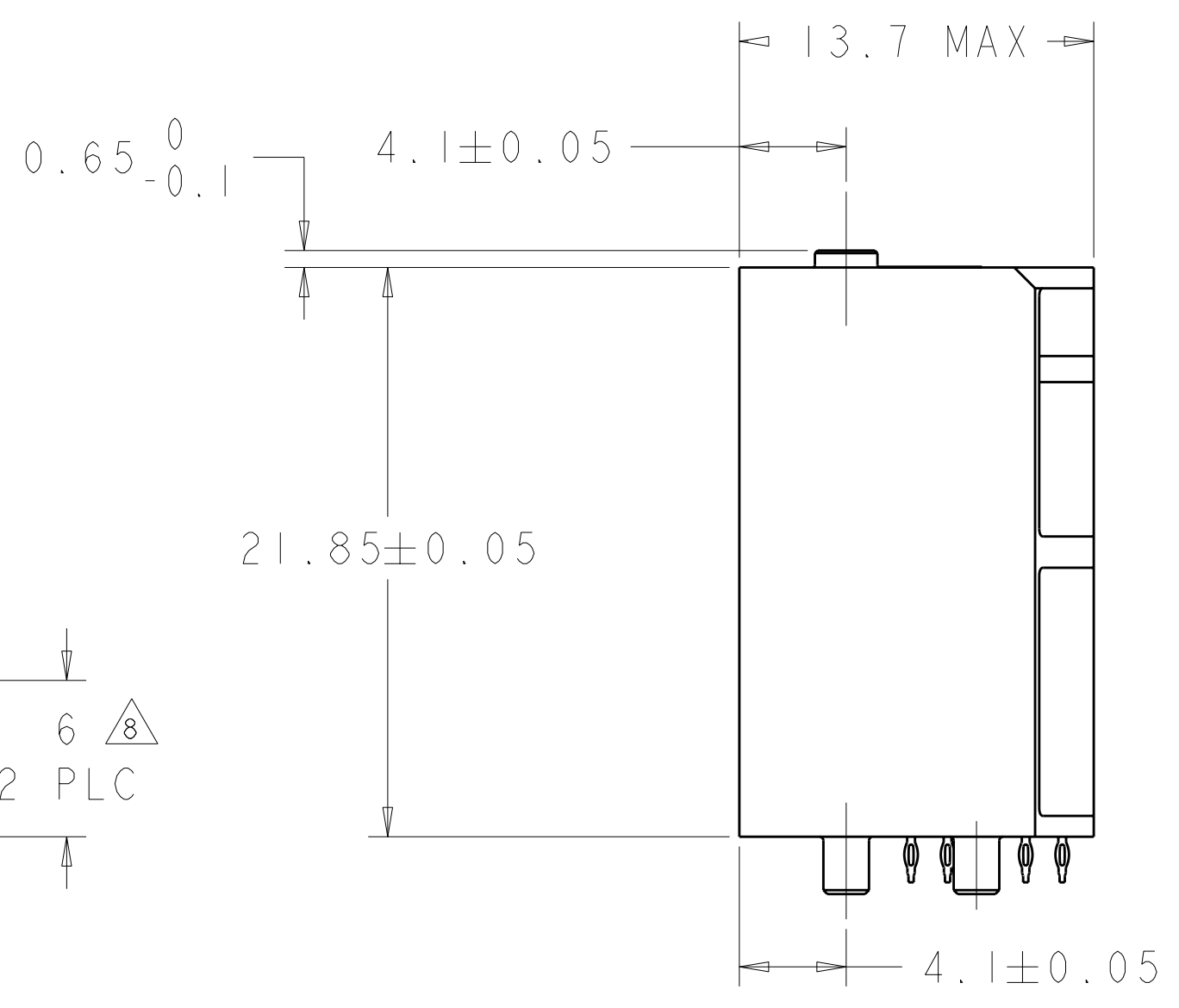
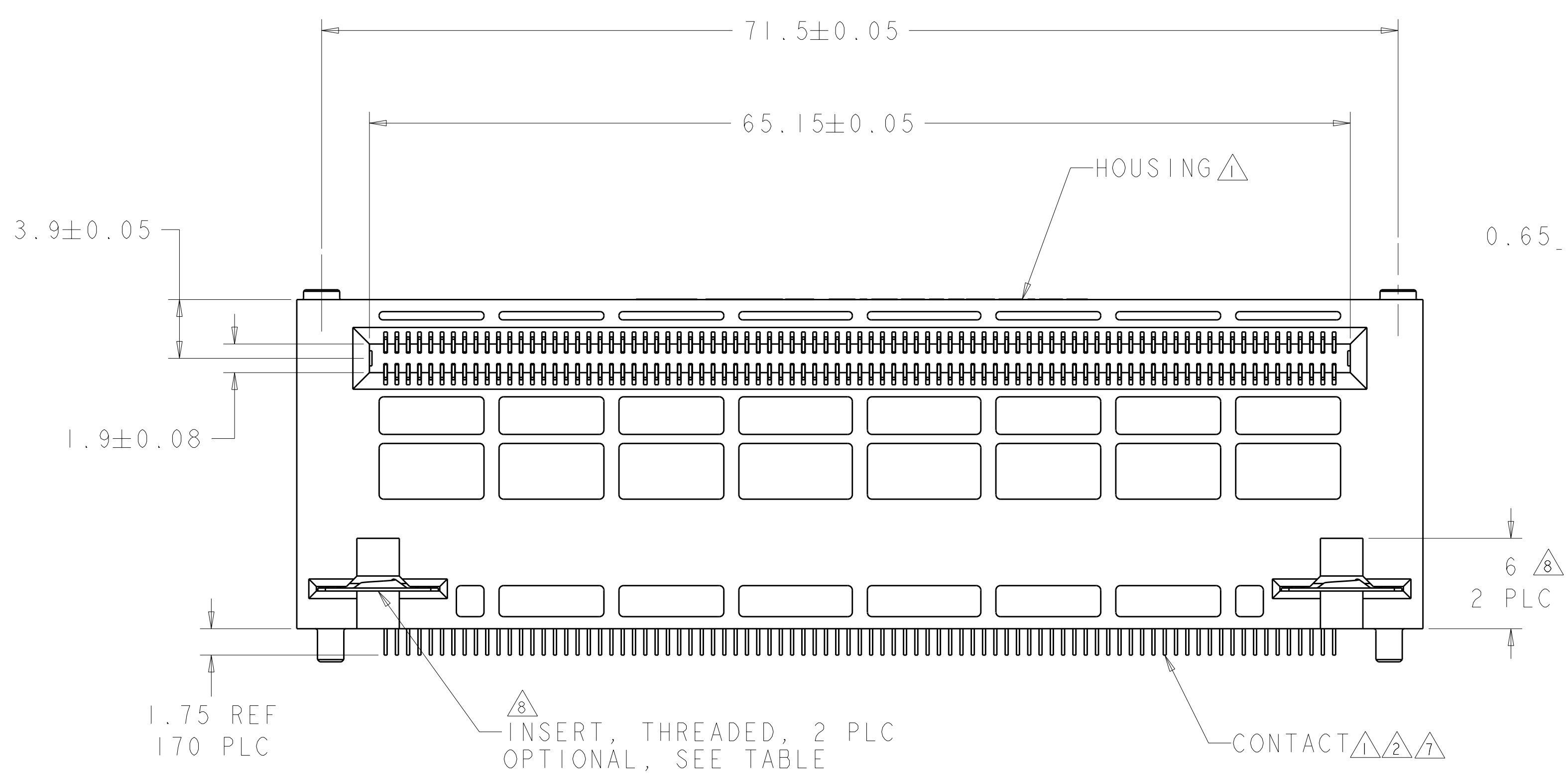
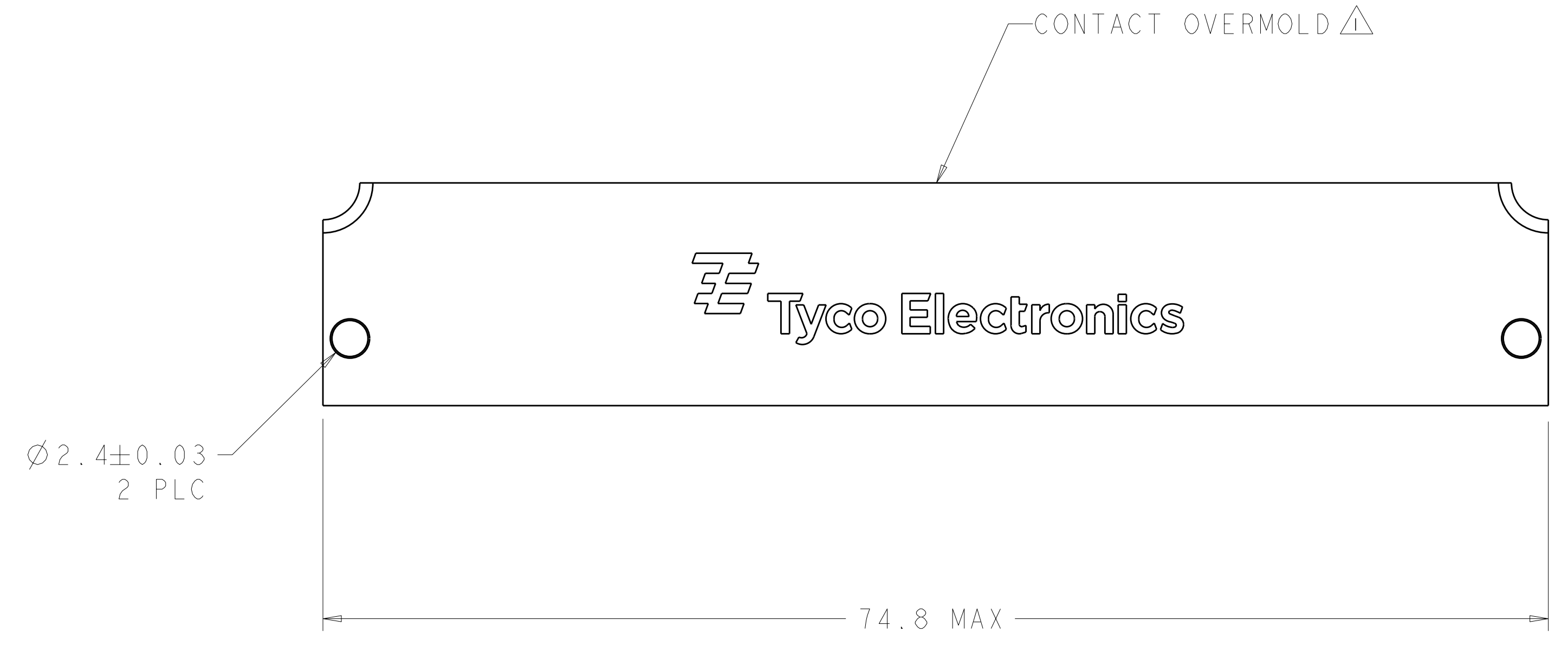
Email & Skype: info@chipsmall.com Web: www.chipsmall.com

Address: A1208, Overseas Decoration Building, #122 Zhenhua RD., Futian, Shenzhen, China



LOC	DIST	REV	DATE	BY	CHK	APPV
AG	00	18	16MAY2011	RK	HMR	

- △ HOUSING: LCP, UL94V-0 RATED
CONTACT OVERMOLD: POLYESTER, PBT,
30% GLASS FIBER REINFORCED
CONTACT: COPPER ALLOY
- △ CONTACT FINISH: 1.27 MICROMETER MIN TIN-LEAD OVER
1.27 MICROMETER MIN NICKEL ON TAIL
SURFACE TREATMENT OVER 0.76 MICROMETER MIN GOLD OR 0.64 MICROMETER
MIN PALLADIUM-NICKEL OVER 1.27 MICROMETER MIN NICKEL ON MATING AREA
- △ MANUFACTURING TOLERANCE FOR Ø0.40 REF FINISHED HOLE WITH Sn Pb PLATING:
DRILLED HOLE = Ø0.50±0.02
COPPER PLATING = 0.025-0.050
Sn Pb PLATING = 0.0038-0.0124
OR
Ø0.425 REF FINISHED HOLE WITHOUT Sn Pb PLATING
DRILLED HOLE = Ø0.50±0.02
COPPER PLATING = 0.025-0.050 WITH EITHER
OSP = 0.0002-0.0005 OR
IMMERSION Ag = 0.0001 MIN OR
IMMERSION Au/Ni = 0.0001-0.0005 AU / 0.004-0.0076 Ni
- △ DESIGN WILL ACCEPT MODULES THAT MEET THE REQUIREMENTS
OF PICMG AMC.0 RI.0 ADVANCED MEZZANINE CARD CONNECTOR
- △ SIGNAL GROUND VIAS, 28 PLACES, PCB ONLY, NOT
USED IN CONNECTOR
- △ DATUM -F- AND BASIC DIMENSION ESTABLISHED BY
CUSTOMER'S FIDUCIALS
- △ CONTACT FINISH: 1.27 MICROMETER MIN TIN OVER
1.27 MICROMETER MIN NICKEL ON TAIL
SURFACE TREATMENT OVER 0.76 MICROMETER MIN GOLD OR 0.64 MICROMETER
MIN PALLADIUM-NICKEL OVER 1.27 MICROMETER MIN NICKEL ON MATING AREA
- △ MOUNTING SCREW REQUIREMENTS: CUSTOMER SUPPLIED M2.5 X 0.45 8mm LONG
LENGTH DETERMINED BY: PCB THICKNESS 2.4±0.2, WASHER THICKNESS 0.9±0.3
CHANGES IN PCB AND/OR WASHER THICKNESS MAY EFFECT SCREW LENGTH.
MAXIMUM ALLOWABLE TORQUE, 2.0 Kg/cm

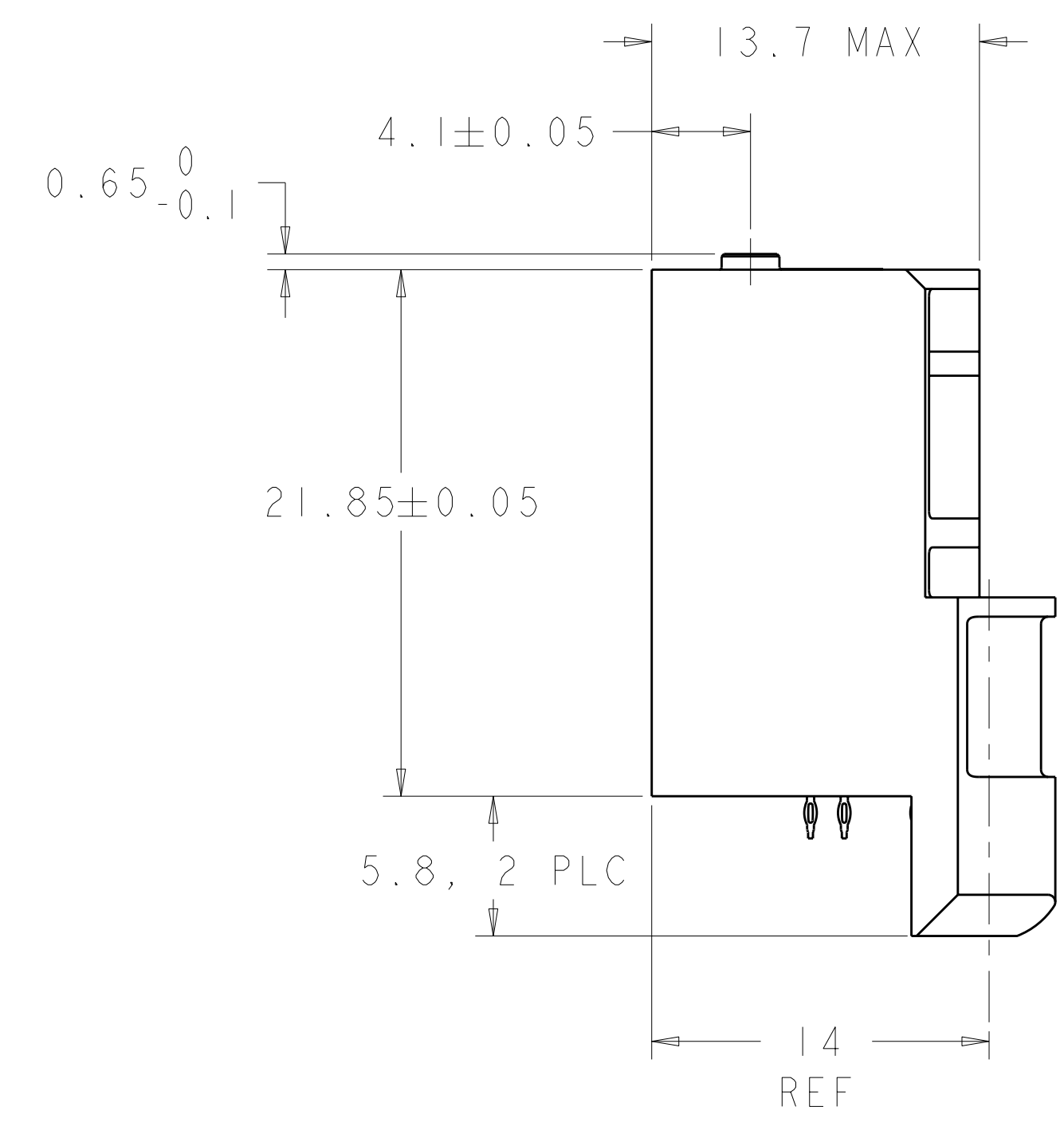
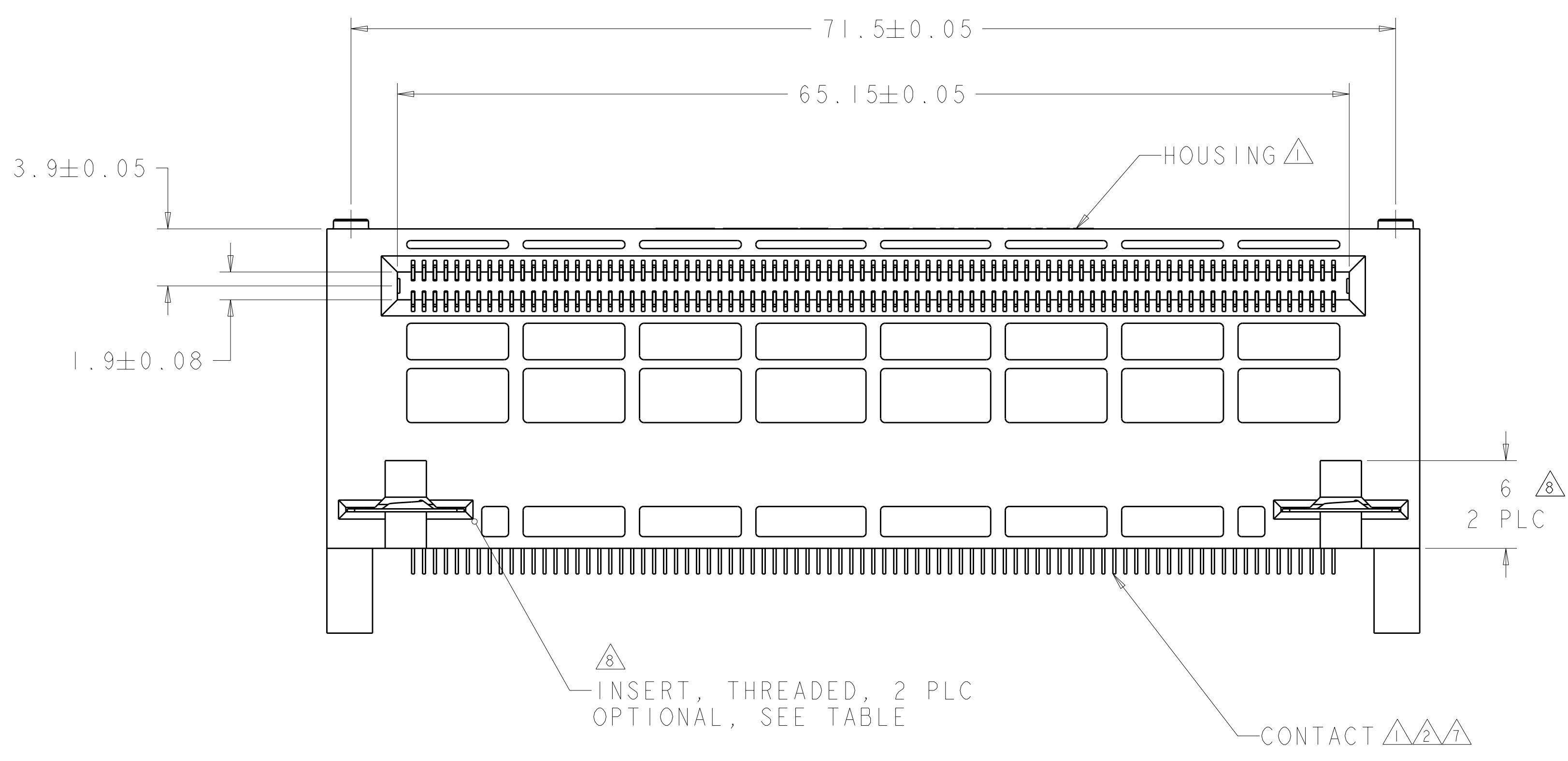
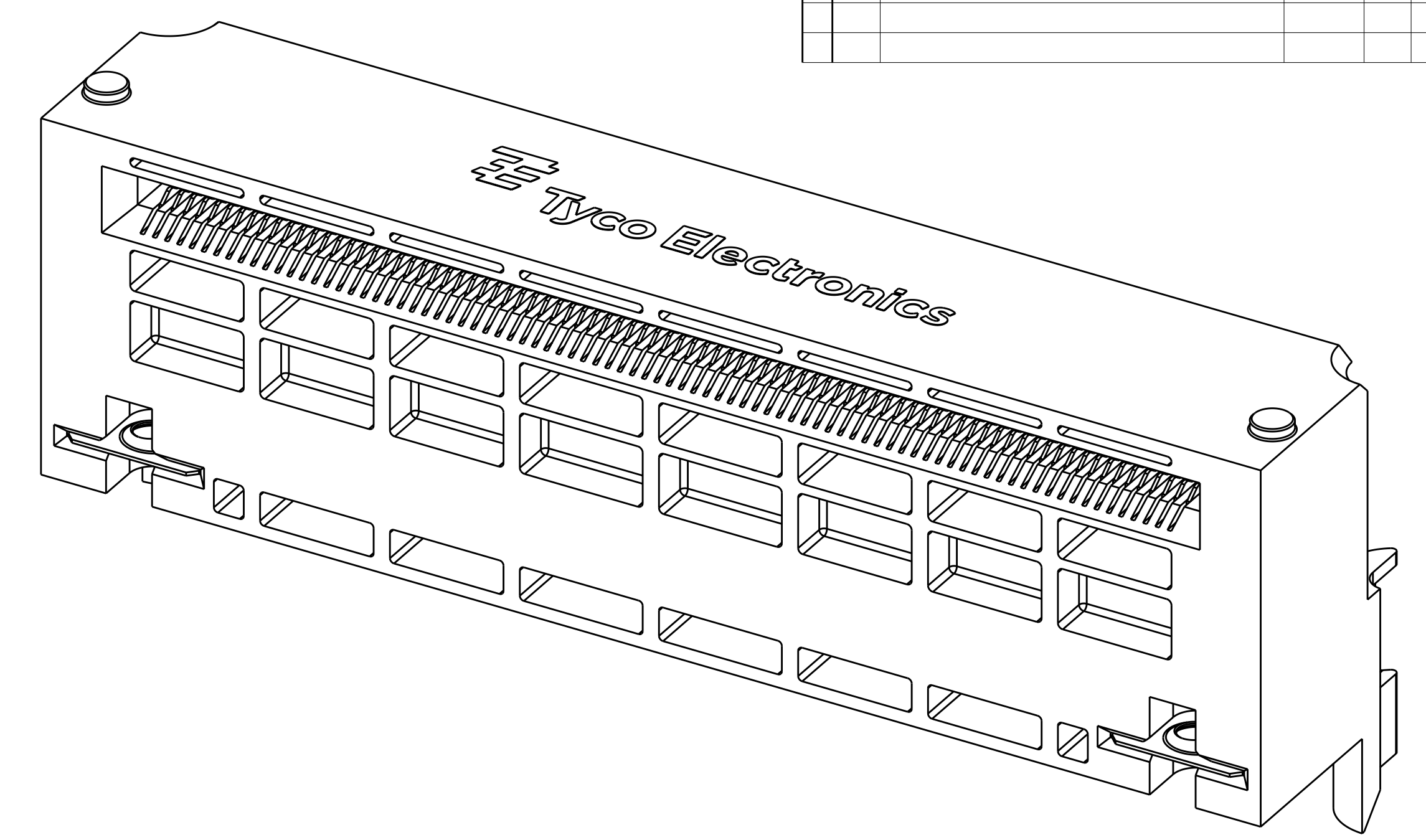
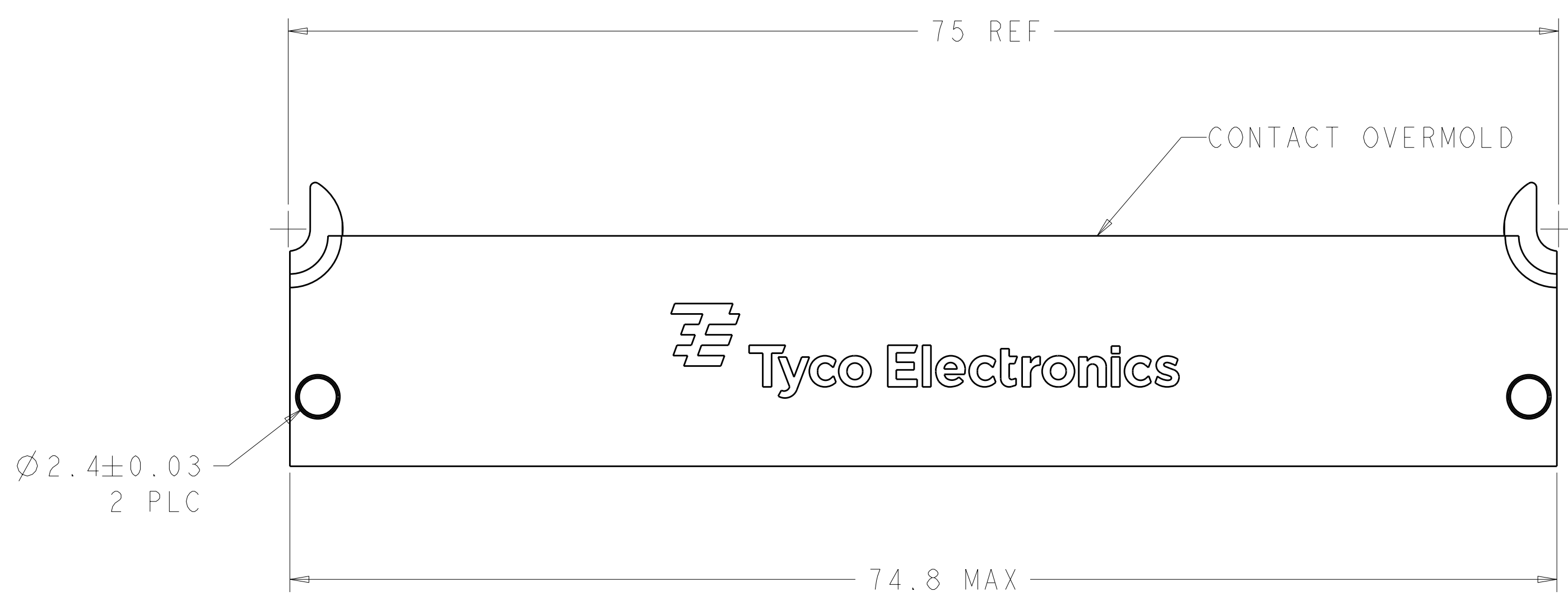


SIZE	CAGE CODE	DRAWING NO	RESTRICTED TO
7.0	2	YES	△
7.0	2	YES	△
7.0	2	NO	△
7.0	2	NO	△
3.0	1	YES	△
3.0	1	YES	△
3.0	1	NO	△
3.0	1	NO	△
"A"	SHEET	INSERTS	FINISH
			PART NUMBER

THIS DRAWING IS A CONTROLLED DOCUMENT.		DWN: P. KERLIN 18FEB2005	TE Connectivity	
DIMENSIONS: mm		CHK: E. BRIGHT 18FEB2005	NAME: AMC CONNECTOR, STYLE B+	
TOLERANCES UNLESS OTHERWISE SPECIFIED:		APPV: E. BRIGHT 18FEB2005	PRODUCT SPEC: 108-2277	
0 PLC	±	APPLICATION SPEC: 114-13181		
1 PLC	±	WEIGHT: -		
2 PLC	±	CUSTOMER DRAWING		
3 PLC	±	SCALE: 5:1		
4 PLC	±	SHEET: 1 OF 3		
ANGLES	±	REV: 18		
FINISH	△	A100779C=1367703		

PRELIMINARY

LOC	DIST	REVISIONS			
P	LTB	DESCRIPTION	DATE	DWN	APVD
AG	00	SEE SHEET 1			

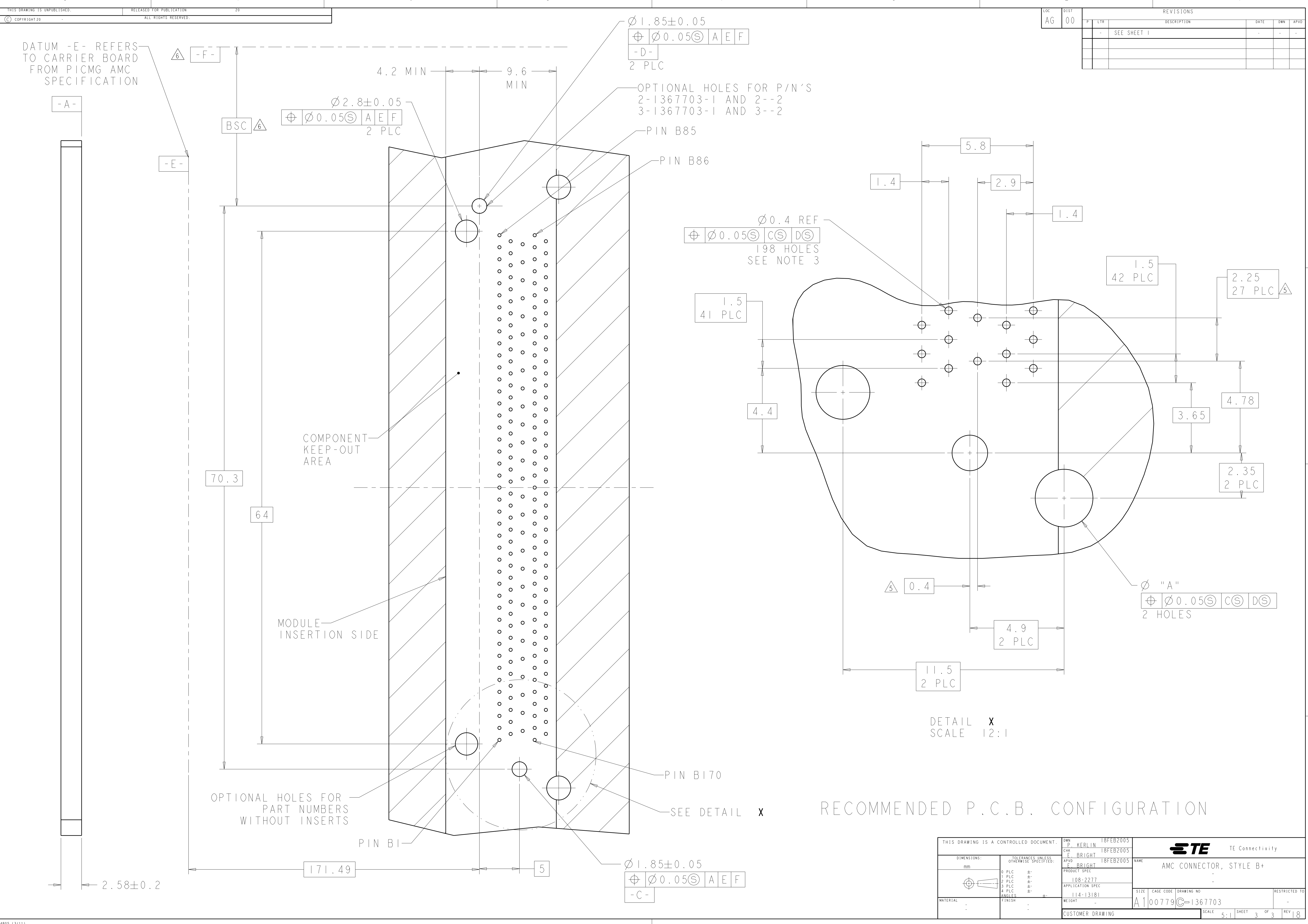


THIS DRAWING IS A CONTROLLED DOCUMENT.		DWN P. KERLIN 18FEB2005	18FEB2005	TE Connectivity NAME AMC CONNECTOR, STYLE B+
DIMENSIONS: mm		CHK E. BRIGHT 18FEB2005	18FEB2005	
TOLERANCES UNLESS OTHERWISE SPECIFIED:		APVD E. BRIGHT 18FEB2005	18FEB2005	PRODUCT SPEC
		0 PLC ± 1 PLC ± 2 PLC ± 3 PLC ± 4 PLC ± ANGLES ± FINISH ±		APPLICATION SPEC
MATERIAL		WEIGHT		SIZE CAGE CODE DRAWING NO A100779C-1367703
CUSTOMER DRAWING		SCALE 5:1		RESTRICTED TO SHEET 2 OF 3 REV 18

LOC	DIST	REV	DATE	BY	APPD
AG	00				

REVISIONS		DATE	BY	APPD
1	SEE SHEET 1			

DATUM -E- REFERS TO CARRIER BOARD FROM PICMG AMC SPECIFICATION



DETAIL X
SCALE 12:1

RECOMMENDED P.C.B. CONFIGURATION

THIS DRAWING IS A CONTROLLED DOCUMENT.		DWN P. KERLIN 18FEB2005	TE Connectivity
DIMENSIONS: mm		CHK E. BRIGHT 18FEB2005	
TOLERANCES UNLESS OTHERWISE SPECIFIED:		APVD E. BRIGHT 18FEB2005	
9 PLC ± 3 PLC ± 5 PLC ± 4 PLC ± ANGLES ±		PRODUCT SPEC 108-2277 APPLICATION SPEC 114-13181 WEIGHT - CUSTOMER DRAWING	
MATERIAL -		NAME AMC CONNECTOR, STYLE B+	RESTRICTED TO
FINISH -		SIZE CAGE CODE DRAWING NO A100779C=1367703	SCALE 5:1 SHEET 3 OF 3 REV 18