



Chipsmall Limited consists of a professional team with an average of over 10 year of expertise in the distribution of electronic components. Based in Hongkong, we have already established firm and mutual-benefit business relationships with customers from,Europe,America and south Asia,supplying obsolete and hard-to-find components to meet their specific needs.

With the principle of “Quality Parts,Customers Priority,Honest Operation,and Considerate Service”,our business mainly focus on the distribution of electronic components. Line cards we deal with include Microchip,ALPS,ROHM,Xilinx,Pulse,ON,Everlight and Freescale. Main products comprise IC,Modules,Potentiometer,IC Socket,Relay,Connector.Our parts cover such applications as commercial,industrial, and automotives areas.

We are looking forward to setting up business relationship with you and hope to provide you with the best service and solution. Let us make a better world for our industry!



## Contact us

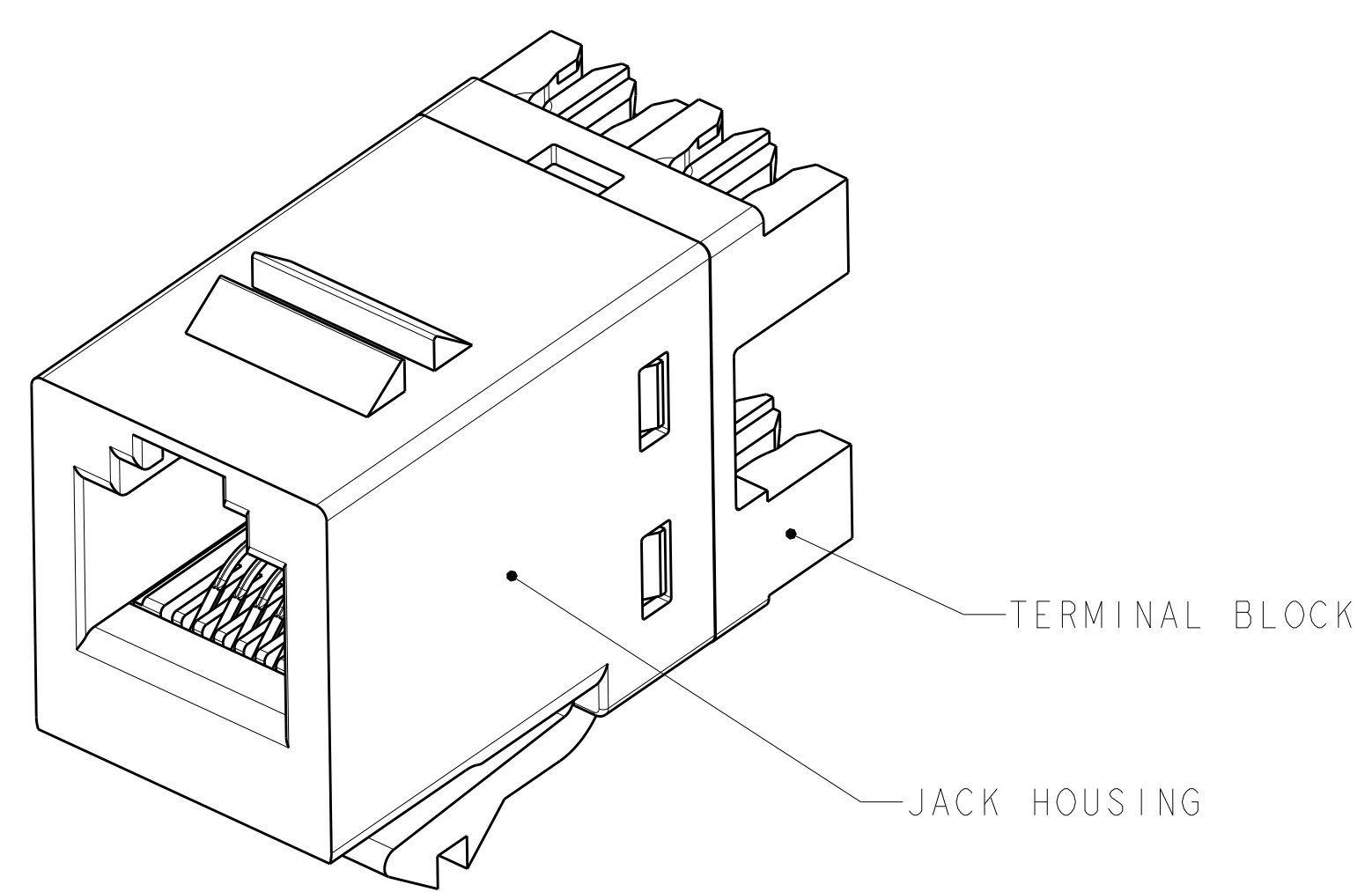
Tel: +86-755-8981 8866 Fax: +86-755-8427 6832

Email & Skype: info@chipsmall.com Web: www.chipsmall.com

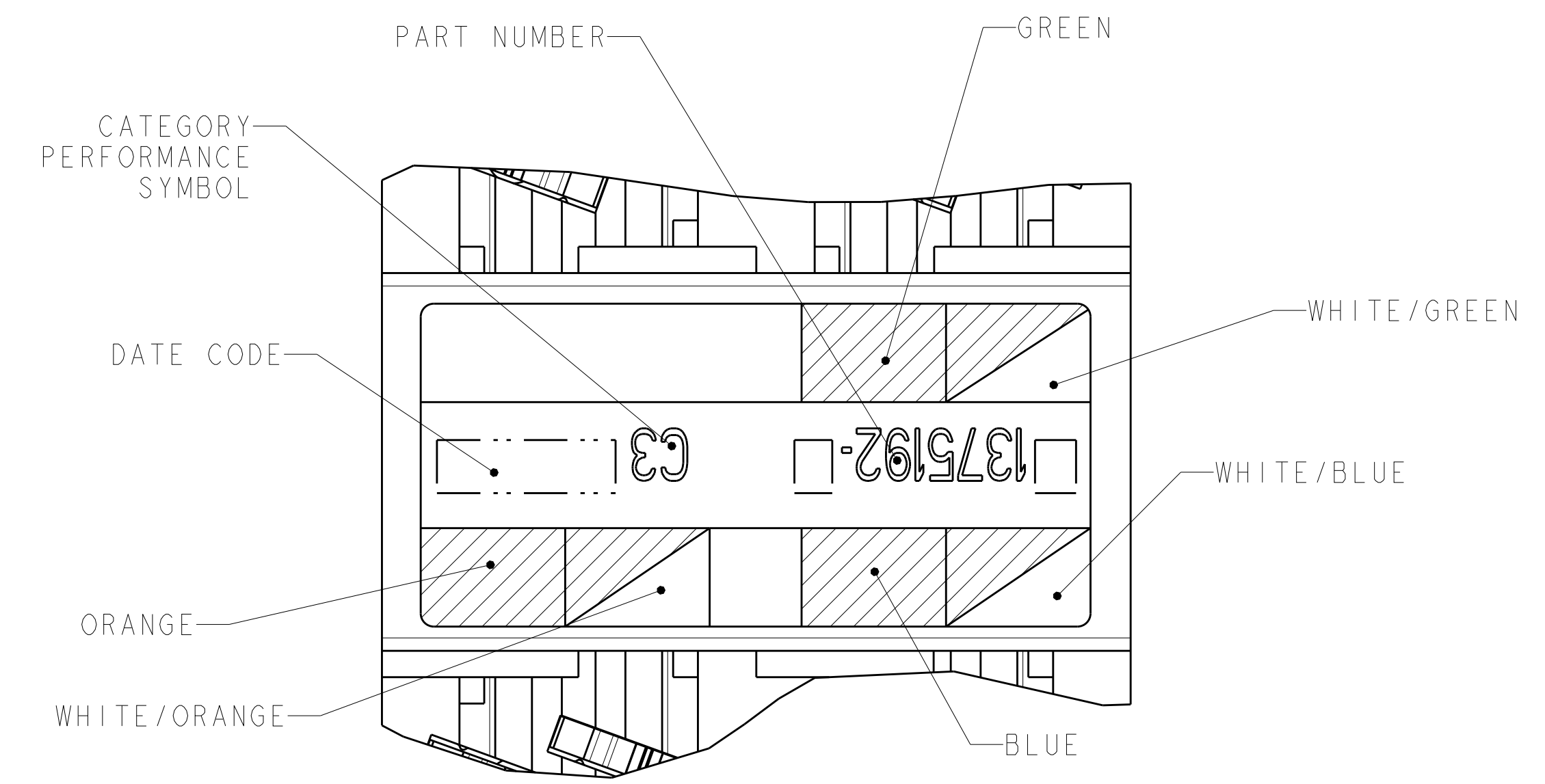
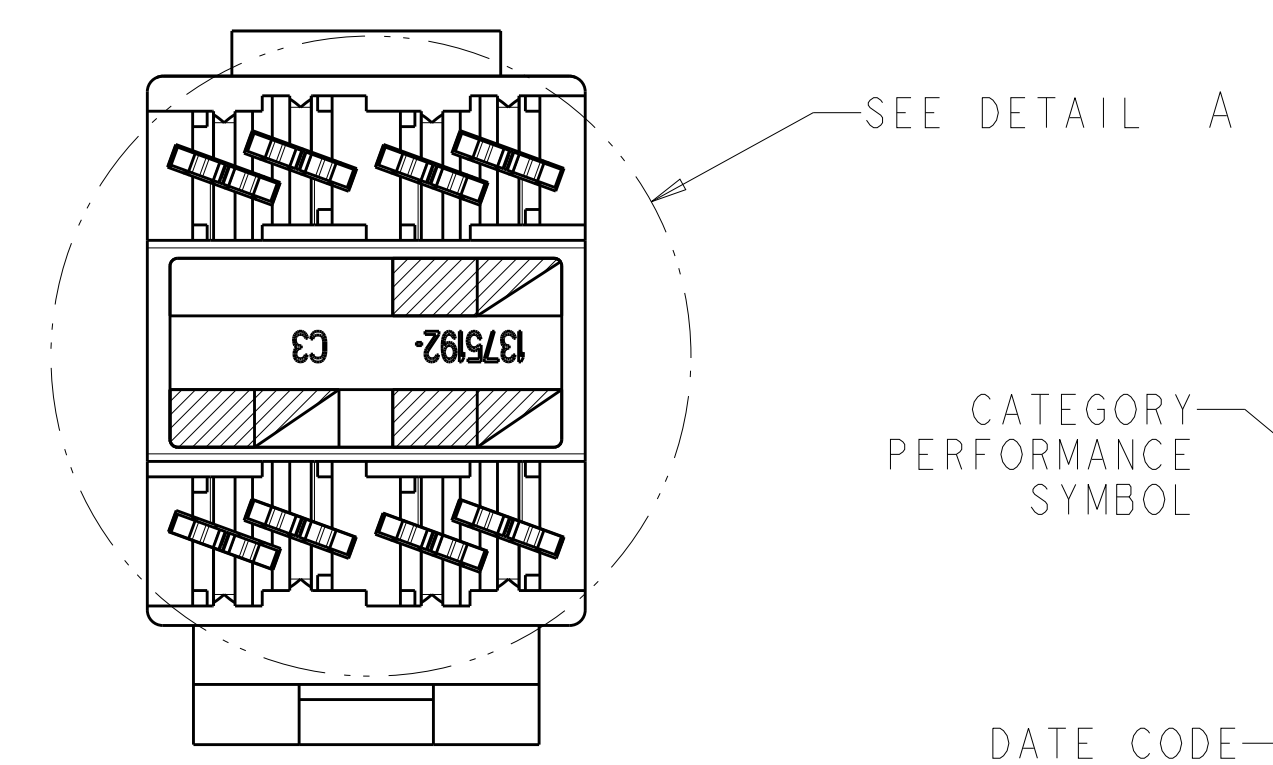
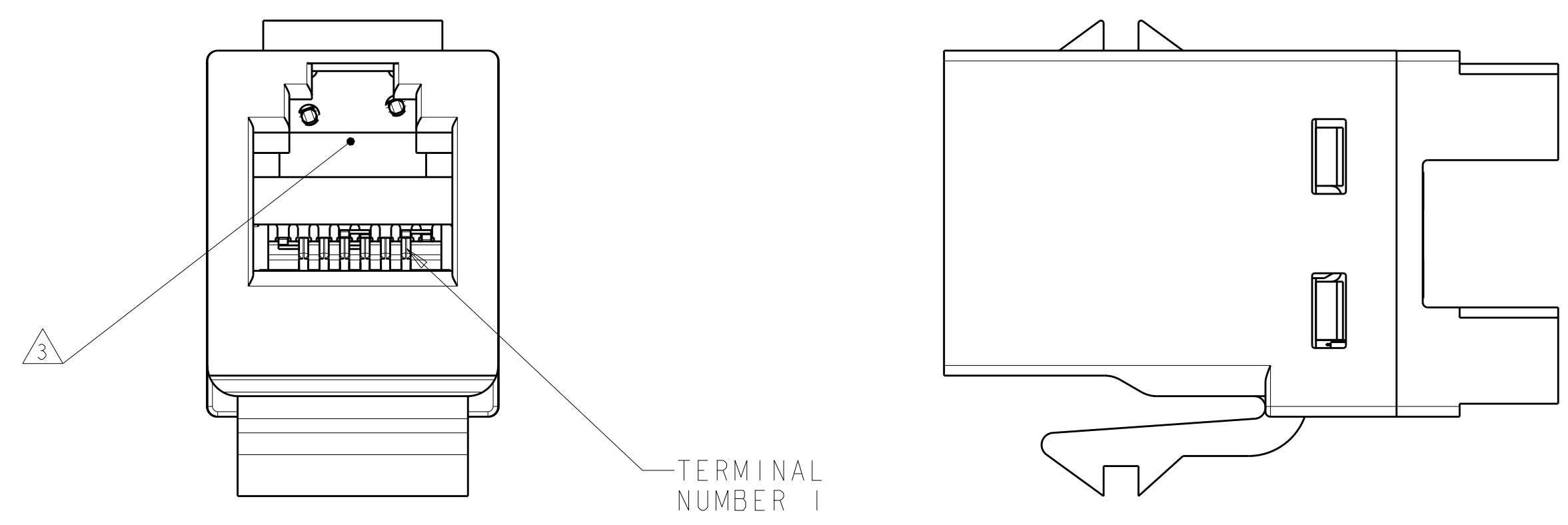
Address: A1208, Overseas Decoration Building, #122 Zhenhua RD., Futian, Shenzhen, China



LOC	DIST	REVISIONS					
		P	LTN	DESCRIPTION	DATE	DWN	APVD
	00	J		REV ECO-12-019894	12NOV2012	JM	SJ



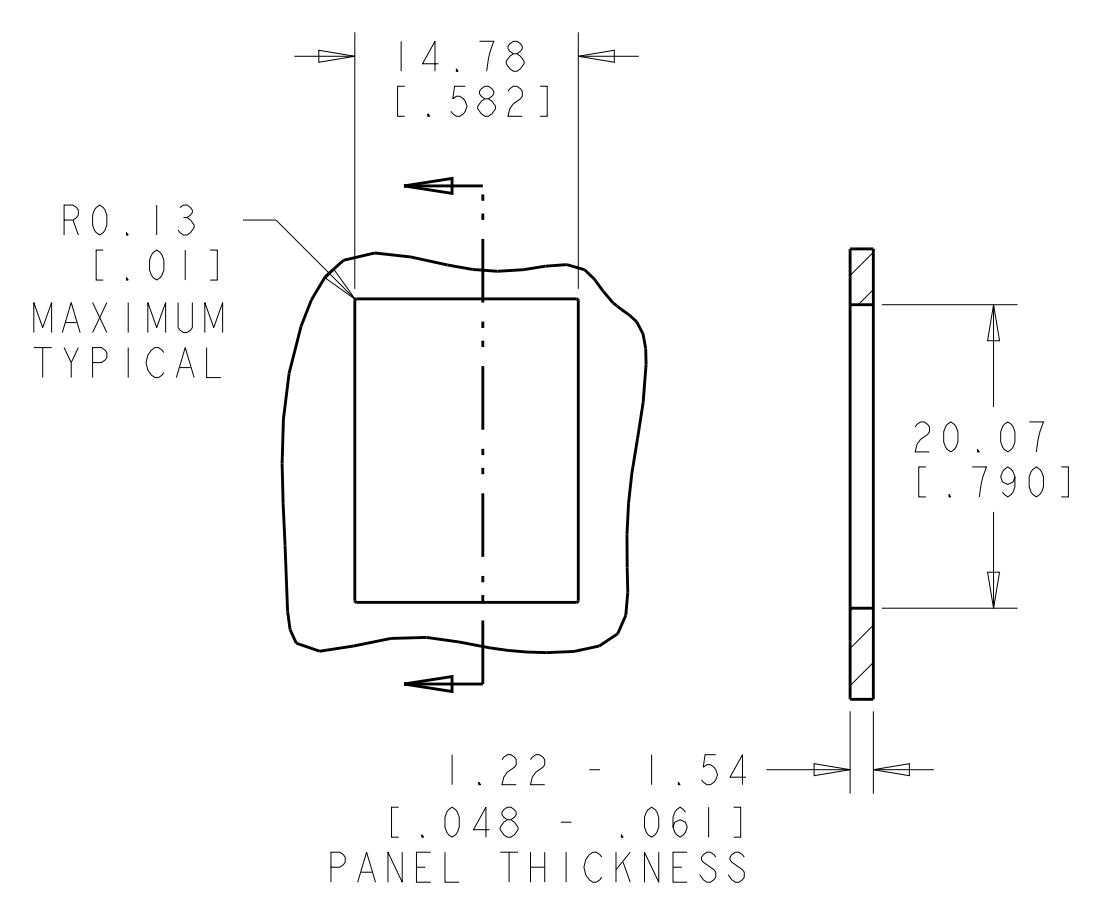
- 1. MATERIAL: JACK HOUSING - POLYCARBONATE, 94V-0 RATED.  
110 BLOCK - POLYCARBONATE.  
ARRAY TRAY - PBT POLYESTER.  
JACK CONTACTS ARRAY - BERYLLIUM COPPER, PLATED WITH 1.27µm [ .000050 ] MINIMUM THICK GOLD IN LOCALIZED AREA AND 3.81µm [ .000150 ] MINIMUM THICK MATTE TIN IN BOARD INTERFACE AREA OVER 1.27µm [ .000050 ] MINIMUM THICK NICKEL UNDERPLATE.  
IDC TERMINALS - PHOSPHOROUS BRONZE, PLATED WITH 3.81µm [ .00015 ] MINIMUM THICK MATTE TIN OVER 1.27µm [ .00005 ] MINIMUM THICK NICKEL UNDERPLATE.
- 2. SL 110 JACK WILL TERMINATE 22-24 AWG SOLID AND 24-26 AWG STRANDED CONDUCTORS, 1.27 [ .050 ] MAXIMUM INSULATION DIAMETER.
- 3. CAVITY CONFORMS TO FCC RULES AND REGULATIONS PART 68 SUBPART F REQUIREMENTS.
- 4. MOUNTING PANEL THICKNESS 1.47 - 1.60 [ .058 - .063 ].
- 5. THESE TWO SUGGESTED CUTOUT OPENINGS ARE USED IN TANDEM WITH DUAL FRONT AND BACK CUTOUTS.
- 6. ONE MODULAR JACK ASSEMBLY PER POLYBAG.
- 7. REFER TO 408-8858 FOR TERMINATION INSTRUCTIONS USING SL SERIES TOOL TERMINATION. REFER TO 408-8602 FOR TERMINATION INSTRUCTIONS USING 110 PUNCH DOWN TOOL.



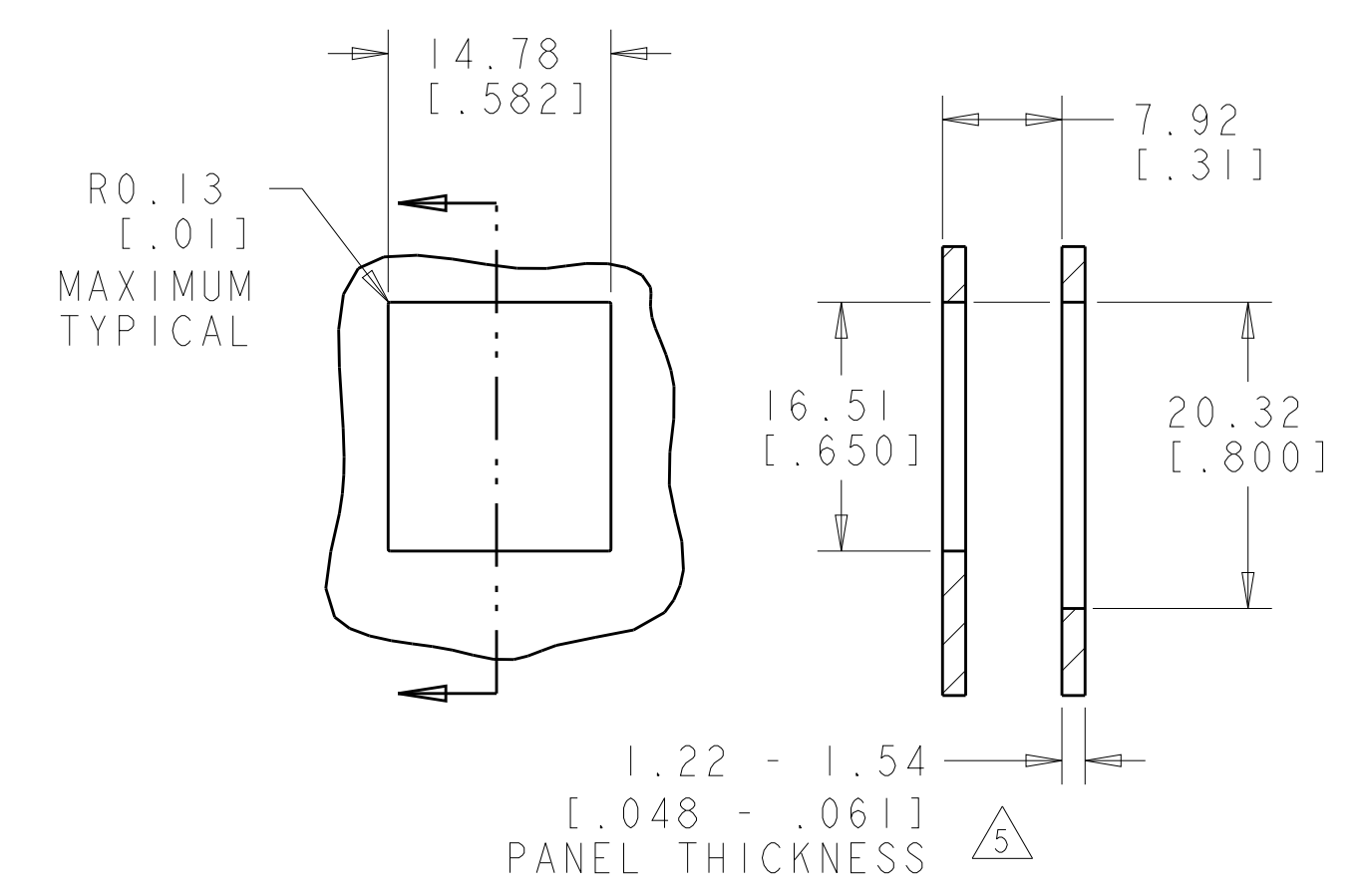
DETAIL A  
SCALE 10:1

COLOR CODE	110 BLOCK	MODULAR JACK	
WHITE/BLUE			4
BLUE			3
WHITE/ORANGE			2
ORANGE			5
WHITE/GREEN			1
GREEN			6
WHITE/BROWN			
BROWN			

ELECTRICAL SCHEMATIC (USOC)



SINGLE PANEL CUTOUT



SUGGESTED FLUSH MOUNT  
PANEL APPLICATION CUTOUT

PACKAGE	HOUSING COLOR	PART NUMBER
6	ALPINE WHITE	1-1375192-3
	BLUE	1375192-6
	GRAY	1375192-4
	BLACK	1375192-2
	LIGHT ALMOND	1375192-1

THIS DRAWING IS A CONTROLLED DOCUMENT.

DWN: T. PITTS 05NOV01  
CHK: L. SMITH 15NOV01  
APVD: C. DOOLEY 15NOV01

PRODUCT SPEC: 108-131001  
APPLICATION SPEC: 7

NAME: ASSEMBLY, SL 110 JACK, CATEGORY 3

SIZE: A1  
CAGE CODE: 100779  
DRAWING NO: 1375192

RESTRICTED TO: J

CUSTOMER DRAWING

SCALE: 4:1

SHEET: 1 OF 1

REV: J