



Chipsmall Limited consists of a professional team with an average of over 10 year of expertise in the distribution of electronic components. Based in Hongkong, we have already established firm and mutual-benefit business relationships with customers from,Europe,America and south Asia,supplying obsolete and hard-to-find components to meet their specific needs.

With the principle of "Quality Parts,Customers Priority,Honest Operation,and Considerate Service",our business mainly focus on the distribution of electronic components. Line cards we deal with include Microchip,ALPS,ROHM,Xilinx,Pulse,ON,Everlight and Freescale. Main products comprise IC,Modules,Potentiometer,IC Socket,Relay,Connector.Our parts cover such applications as commercial,industrial, and automotives areas.

We are looking forward to setting up business relationship with you and hope to provide you with the best service and solution. Let us make a better world for our industry!



Contact us

Tel: +86-755-8981 8866 Fax: +86-755-8427 6832

Email & Skype: info@chipsmall.com Web: www.chipsmall.com

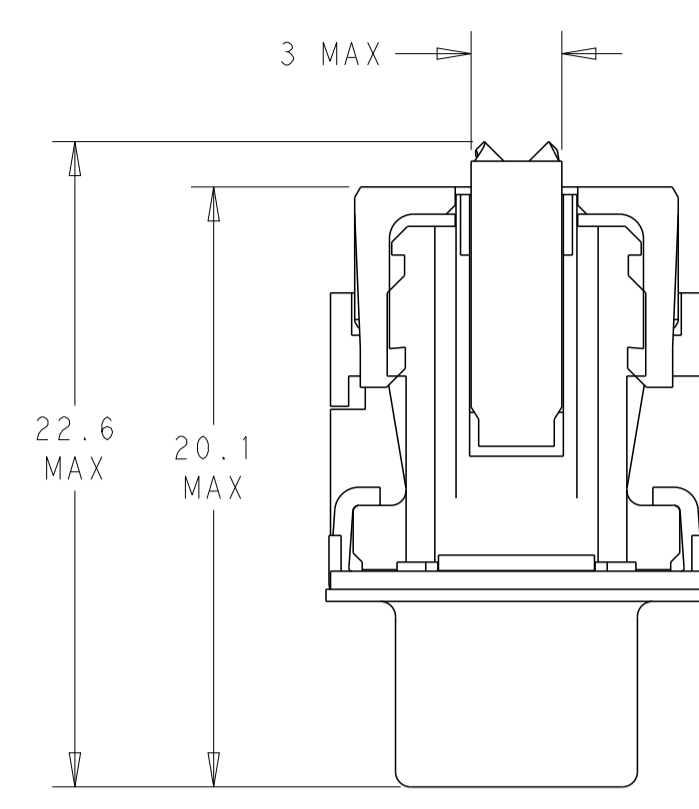
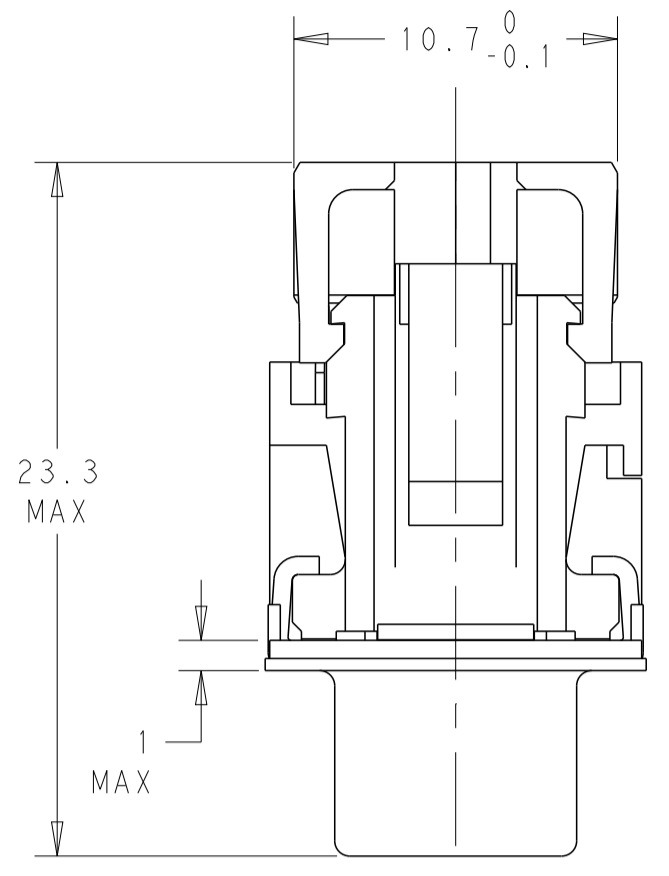
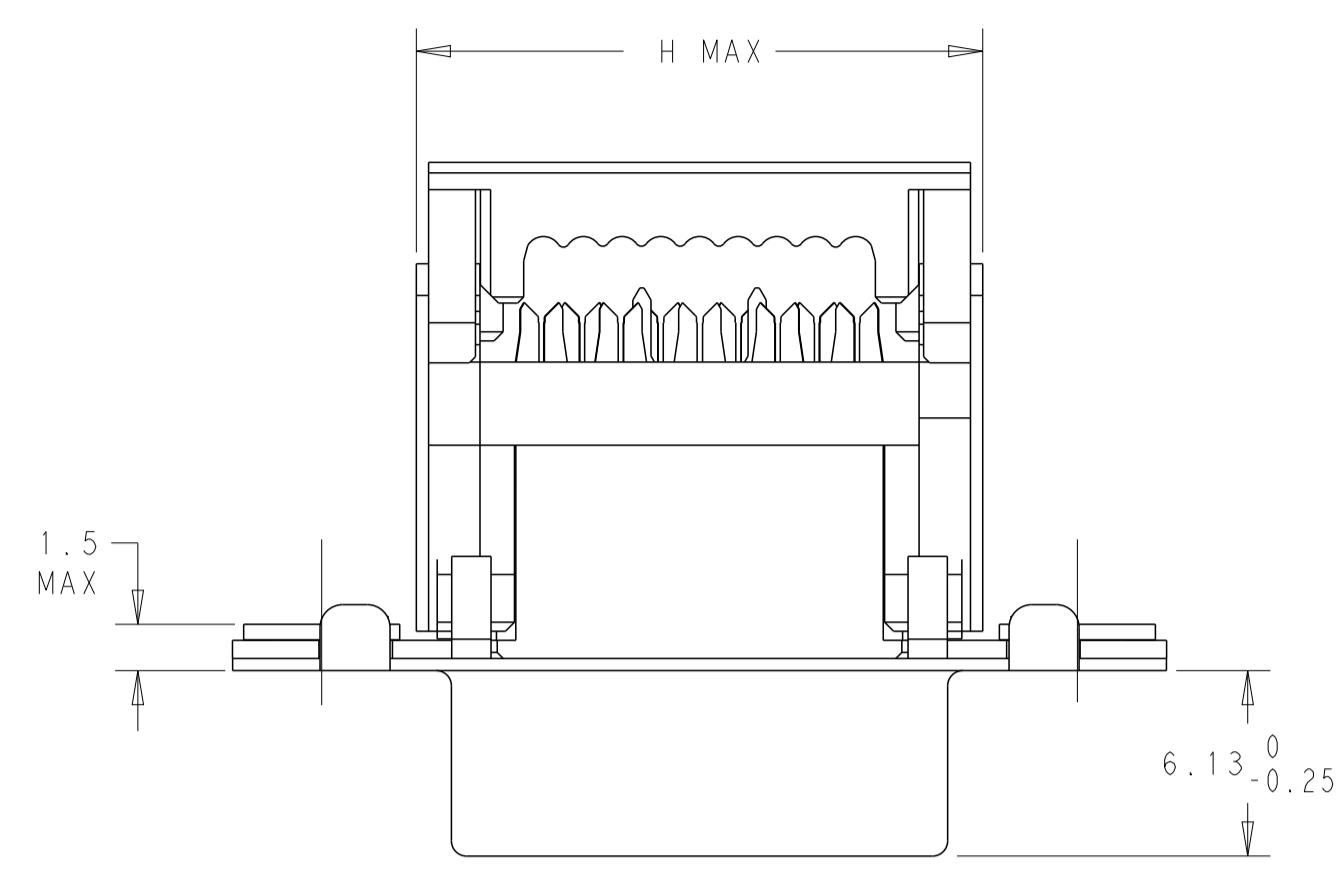
Address: A1208, Overseas Decoration Building, #122 Zhenhua RD., Futian, Shenzhen, China



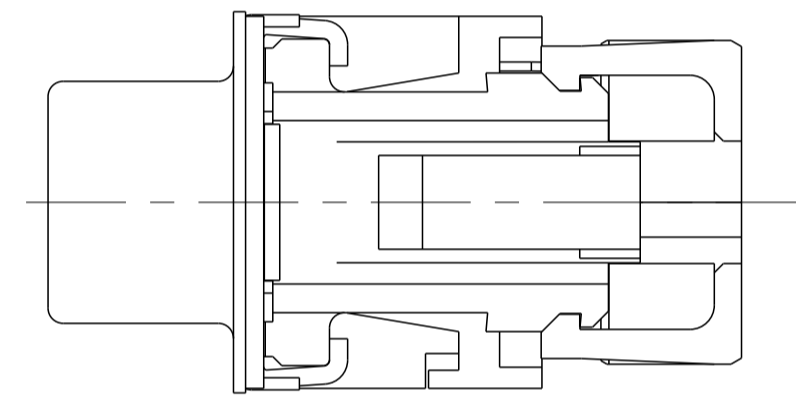
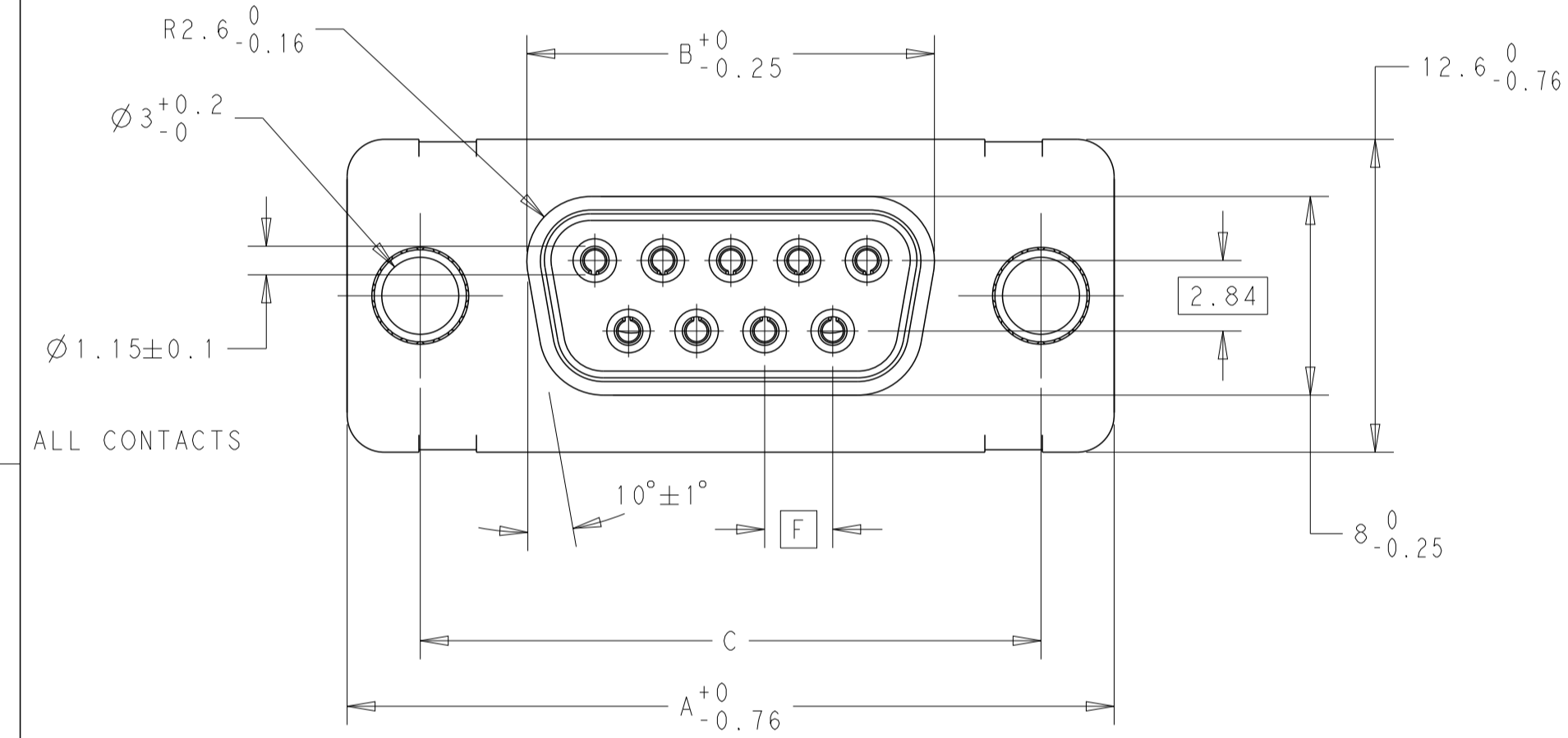
LOC		DIST		REVISIONS			
P	LTN	DESCRIPTION	DATE	OWN	APVD		
GP	00	K	REVISED PER ECO-15-007873	14JUL2015	AP	SB	

COVER IN PRE-CLAMPED POSITION

COVER IN CLAMPED POSITION WITH OPTIONAL STRAIN RELIEF ATTACHED

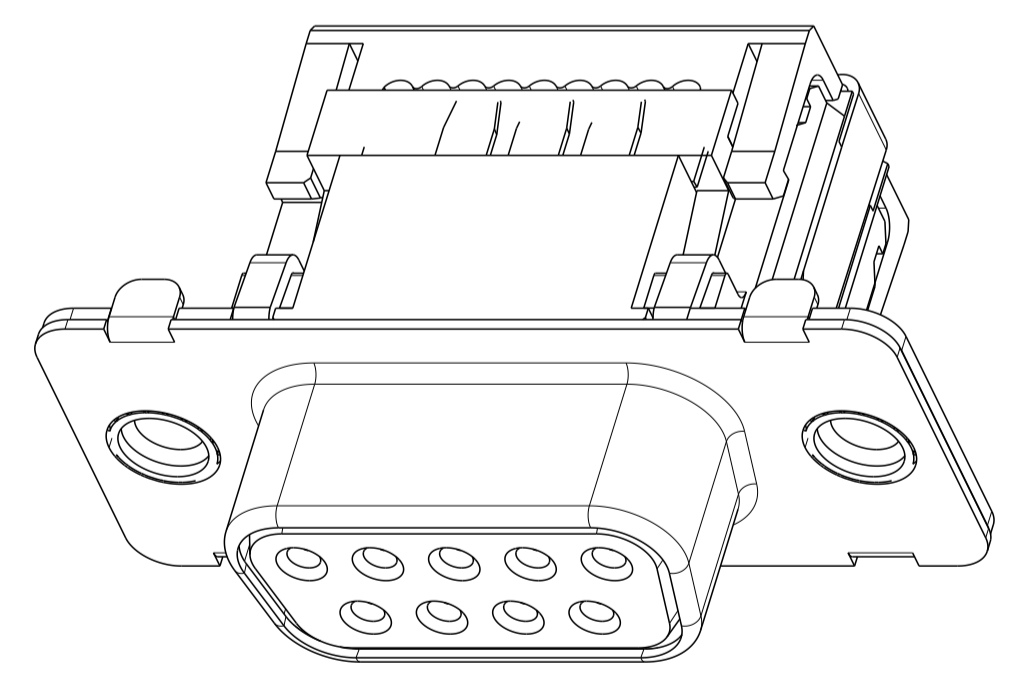
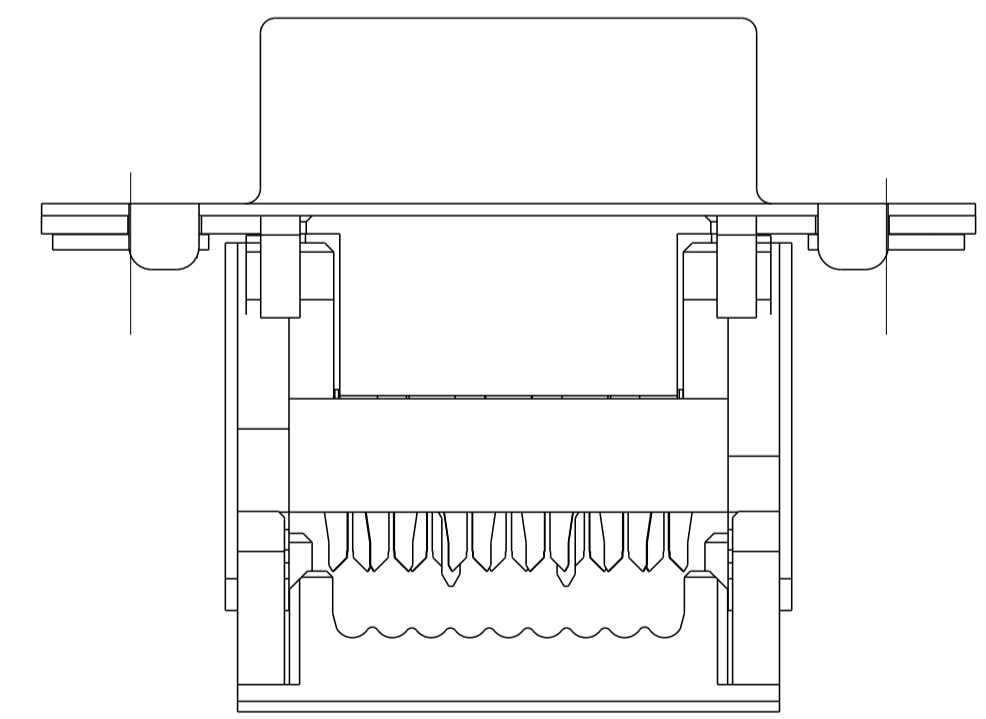


- CABLES TO BE USED:
ALL COMMERCIALY AVAILABLE RIBBON CABLE WITH PVC INSULATION AND TIN OR SILVER PLATED COPPER WIRES. SEE WIRE INFORMATION IN TABLE BELOW.
- 9 POSITION VERSION SHOWN.
- USE ONLY WITH STRAIN RELIEF CLAMP.
- OPTIONAL STRAIN RELIEF CLAMPS:
9 POSITION = 4-1393560-3 (V42254-A4000-D9)
15 POSITION = 4-1393560-5 (V42254-A4000-D15)
25 POSITION = 4-1393560-6 (V42254-A4000-D25)
37 POSITION = 4-1393560-7 (V42254-A4000-D37)
- CONTACTS ARE STAMPED AND FORMED.
- PACKAGED IN BLISTER PACKS.
- PACKAGED ON REELS.
- PLATING DETAILS: ALL MEET PERFORMANCE LEVEL 2 PER DIN 41652 P.2 AND P.4.
UNDERPLATE: NICKEL OVER ENTIRE CONTACT
CONTACT MATING SURFACE ALTERNATE 1: GOLD
CONTACT MATING SURFACE ALTERNATE 2: GOLD FLASH OVER PALLADIUM-NICKEL
IDC WIRE TERMINATION END: MATTE TIN
SHELL PLATING: BRIGHT TIN OVER NICKEL
- FLANGES WITH M3 (BLACK) OR 4-40 (BLUE)
SELF-LOCKING NUTS
TORQUE RETENTION ≥ 70 N-cm



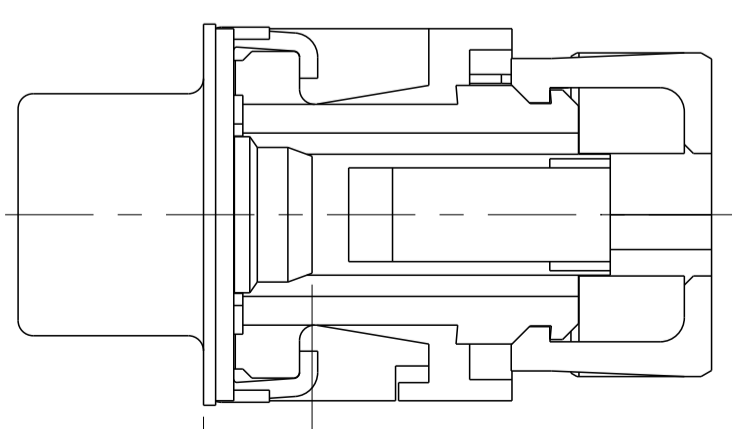
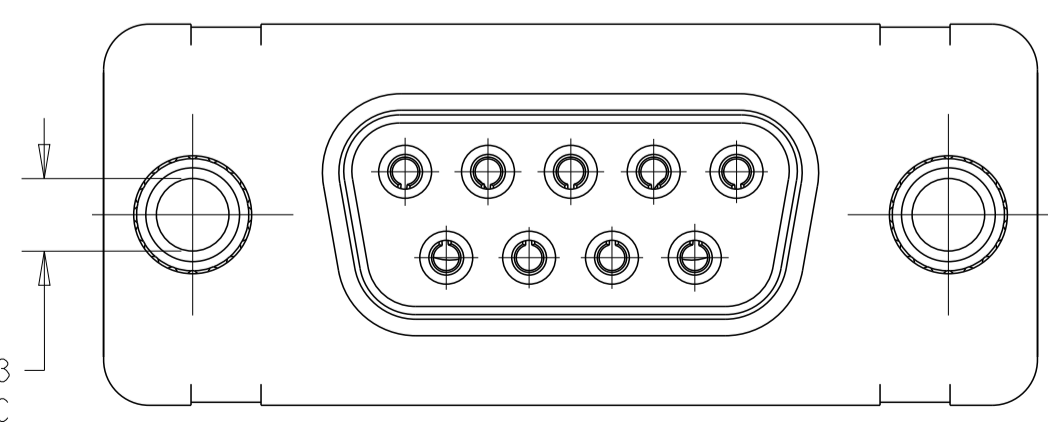
WIRE INFORMATION

OVERALL CONDUCTOR CROSS-SECTIONAL AREA IN mm ²	AWG RANGE	OVERALL CONDUCTOR DIAMETER IN mm ²	NO. OF SINGLE STRANDED WIRES	CONDUCTOR	PVC INSULATING SLEEVE DIA
---	30	0.25	1	SOLID	1.0/1.1
---	28	0.32	1	SOLID	0.8/1.1
0.09	28	---	7	STRANDED	0.8/1.1
0.14	26	---	7	STRANDED	0.8/1.1



FLANGES WITH HOLES

TE MARKING	STRAIN RELIEF	PKG	FLANGE OPTION	A	B	C	F	H	NO OF POSITIONS	SIEMENS PART NUMBER	TE CONNECTIVITY PART NUMBER
OBSOLETE	NO	Not Included	3.0 DIAMETER HOLE	39.52	24.79	33.30 +0.15/-0.1	2.74	27.26	15	V42254-A5237-B215	8-1393486-6
	YES	Included	3.0 DIAMETER HOLE	69.70	54.96	63.50 ±0.13	2.76	57.44	37	V42254-A5235-W231	5-1393486-8
	YES	Included	3.0 DIAMETER HOLE	53.42	38.50	47.04 ±0.13	2.76	40.78	25	V42254-A5235-W230	5-1393486-7
	YES	Included	3.0 DIAMETER HOLE	39.52	24.79	33.30 +0.15/-0.1	2.74	27.26	15	V42254-A5235-W229	5-1393486-6
	YES	Included	3.0 DIAMETER HOLE	31.19	16.46	25.00 +0.12/-0.13	2.74	18.73	9	V42254-A5235-W228	5-1393486-5
OBSOLETE	YES	Not Included	3.0 DIAMETER HOLE	69.70	54.96	63.50 ±0.13	2.76	57.44	37	V42254-A5235-B237	3-1393486-7
	YES	Not Included	3.0 DIAMETER HOLE	53.42	38.50	47.04 ±0.13	2.76	40.78	25	V42254-A5235-B225	3-1393486-6
	YES	Not Included	3.0 DIAMETER HOLE	39.52	24.79	33.30 +0.15/-0.1	2.74	27.26	15	V42254-A5235-B215	3-1393486-5
	YES	Not Included	3.0 DIAMETER HOLE	31.19	16.46	25.00 +0.12/-0.13	2.74	18.73	9	V42254-A5235-B209	3-1393486-4
	YES	Not Included	M3 SELF-LOCKING NUTS	31.19	16.46	25.00 +0.12/-0.13	2.74	18.73	9	V42254-A5234-B209	1393486-9
OBSOLETE	YES	Not Included	4-40 SELF-LOCKING NUTS	69.70	54.96	63.50 ±0.13	2.76	57.44	37	V42254-A5232-B237	9-1393485-0
	YES	Not Included	4-40 SELF-LOCKING NUTS	53.42	38.50	47.04 ±0.13	2.76	40.78	25	V42254-A5232-B225	8-1393485-9
	YES	Not Included	4-40 SELF-LOCKING NUTS	39.52	24.79	33.30 +0.15/-0.1	2.74	27.26	15	V42254-A5232-B215	8-1393485-8
	YES	Not Included	4-40 SELF-LOCKING NUTS	31.19	16.46	25.00 +0.12/-0.13	2.74	18.73	9	V42254-A5232-B209	8-1393485-7
OBSOLETE	NO	Not Included	3.0 DIAMETER HOLE	39.52	24.79	33.30 +0.15/-0.1	2.74	27.26	15	V42254-A4237-B215	8-1393485-3



SELF-LOCKING NUT VERSION

THIS DRAWING IS A CONTROLLED DOCUMENT. DIMENSIONING AND TOLERANCING PER ASME Y14.5M-2009. TOLERANCES UNLESS OTHERWISE SPECIFIED:

mm	0 PLC	±
	1 PLC	±
	2 PLC	±
	3 PLC	±
	4 PLC	±
ANGLES		±1°
FINISH		

MATERIAL: - FINISH: - WEIGHT: -

OWN: RAGHAVENDRA 06MAR2012
 CHK: CARL ROHDE 06MAR2012
 APVD: CARL ROHDE 06MAR2012

NAME: D-SUB IDC FEMALE CONNECTOR

SIZE: A1 CAGE CODE: 8-1393485-7 DRAWING NO: 100779

CUSTOMER DRAWING SCALE: 4:1 SHEET 1 OF 1 REV: K