



Chipsmall Limited consists of a professional team with an average of over 10 year of expertise in the distribution of electronic components. Based in Hongkong, we have already established firm and mutual-benefit business relationships with customers from,Europe,America and south Asia,supplying obsolete and hard-to-find components to meet their specific needs.

With the principle of “Quality Parts,Customers Priority,Honest Operation,and Considerate Service”,our business mainly focus on the distribution of electronic components. Line cards we deal with include Microchip,ALPS,ROHM,Xilinx,Pulse,ON,Everlight and Freescale. Main products comprise IC,Modules,Potentiometer,IC Socket,Relay,Connector.Our parts cover such applications as commercial,industrial, and automotives areas.

We are looking forward to setting up business relationship with you and hope to provide you with the best service and solution. Let us make a better world for our industry!



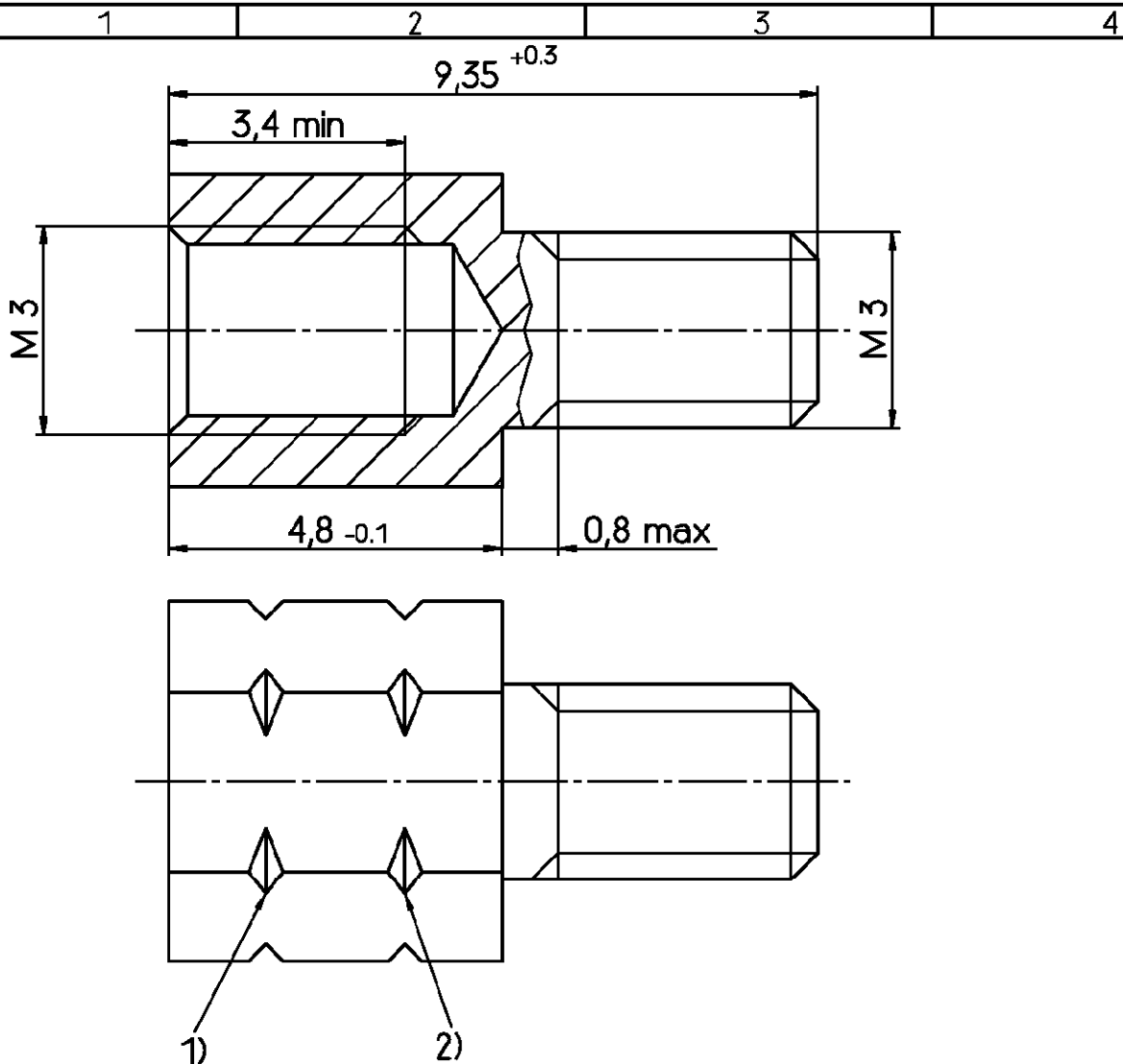
Contact us

Tel: +86-755-8981 8866 Fax: +86-755-8427 6832

Email & Skype: info@chipsmall.com Web: www.chipsmall.com

Address: A1208, Overseas Decoration Building, #122 Zhenhua RD., Futian, Shenzhen, China





Verwendung bei Steckverbindertypen : V42254-A212*-+***
 V42254-A214*-+***

- 1) Rille zur optischen Erkennung der M3-Innengewinde
- 2) Rille zur optischen Erkennung der M3-Außengewinde

*) Längen-, Form- und Lagetoleranzen DIN 7168-mSR

Aktuelles Sachnummern.
 Kontaktieren Sie Tyco Electronics
 für Weitere Varianten

Altes Sachnummer	Tyco Sachnummer
V42254-A171-V2	3-1393560-1



Tyco Electronics Corporation
 Oostkamp - Belgium



LOC DIMENSIONS
 GW IN MM

SCALE 10:1 WEIGHT

MATERIAL

PART NAME
Bolzen

PART NO.
 V42254-A171-V2*-27

DATE 03.03.92
 NAME Sterckx
 DEP. WO ENF 2

5129

TOLERANCE UNLESS SPECIFIED OTHERWISE Tol. *)
 ISO8015

SHT. 1-

REV. CHANGE ORDER DATE APP. Customer Drawing Nr. C 3-1393560-1

THIS INFORMATION IS CONFIDENTIAL AND PROPRIETARY TO TYCO ELECTRONICS CORPORATION AND ITS WORLDWIDE SUBSIDIARIES AND AFFILIATES. IT MAY NOT BE DISCLOSED TO ANYONE, OTHER THAN TYCO ELECTRONICS PERSONNEL, WITHOUT WRITTEN AUTHORIZATION FROM TYCO ELECTRONICS CORPORATION, HARRISBURG, PENNSYLVANIA USA.

PROPRIETARY: