



Chipsmall Limited consists of a professional team with an average of over 10 year of expertise in the distribution of electronic components. Based in Hongkong, we have already established firm and mutual-benefit business relationships with customers from,Europe,America and south Asia,supplying obsolete and hard-to-find components to meet their specific needs.

With the principle of “Quality Parts,Customers Priority,Honest Operation,and Considerate Service”,our business mainly focus on the distribution of electronic components. Line cards we deal with include Microchip,ALPS,ROHM,Xilinx,Pulse,ON,Everlight and Freescale. Main products comprise IC,Modules,Potentiometer,IC Socket,Relay,Connector.Our parts cover such applications as commercial,industrial, and automotives areas.

We are looking forward to setting up business relationship with you and hope to provide you with the best service and solution. Let us make a better world for our industry!



Contact us

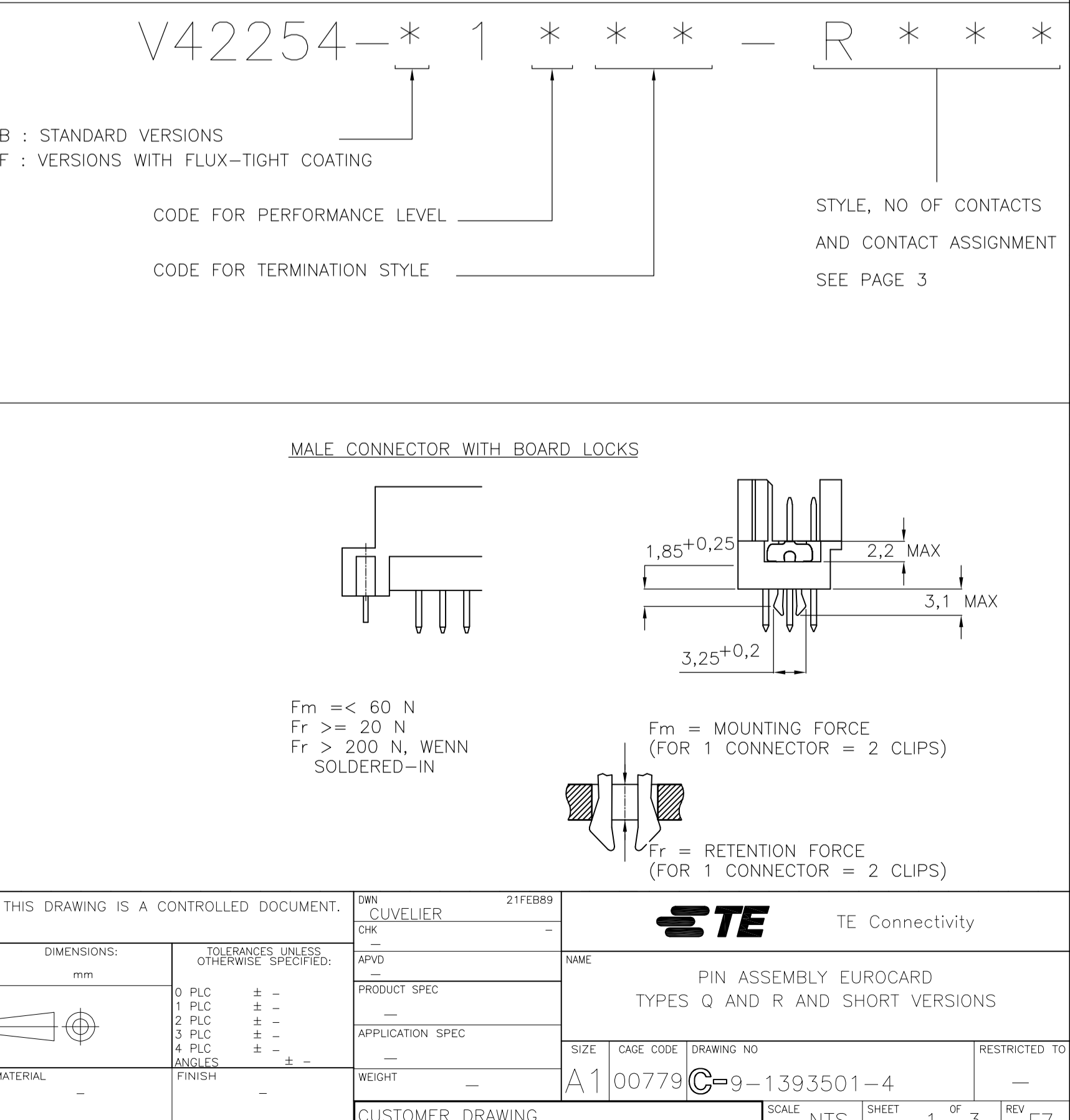
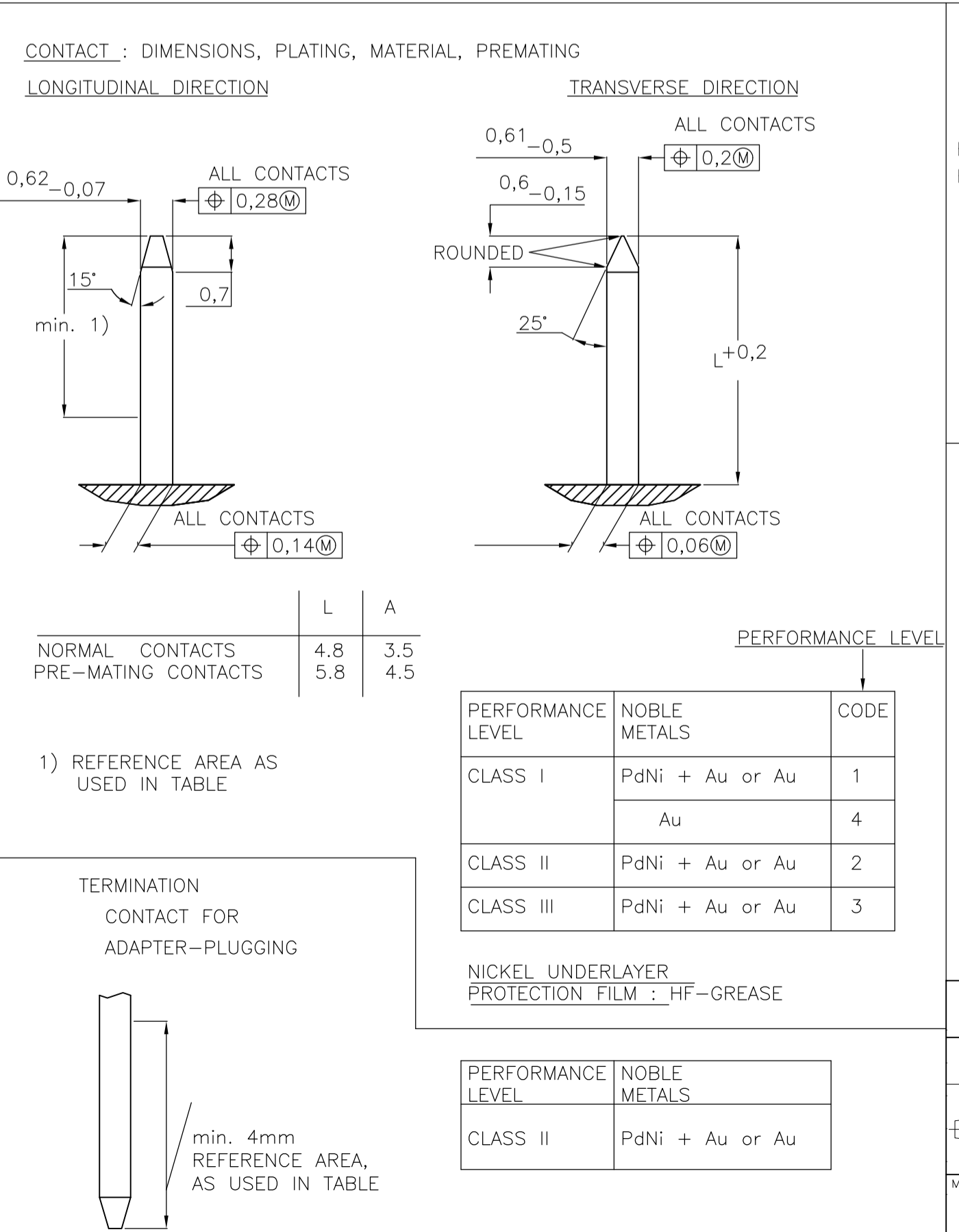
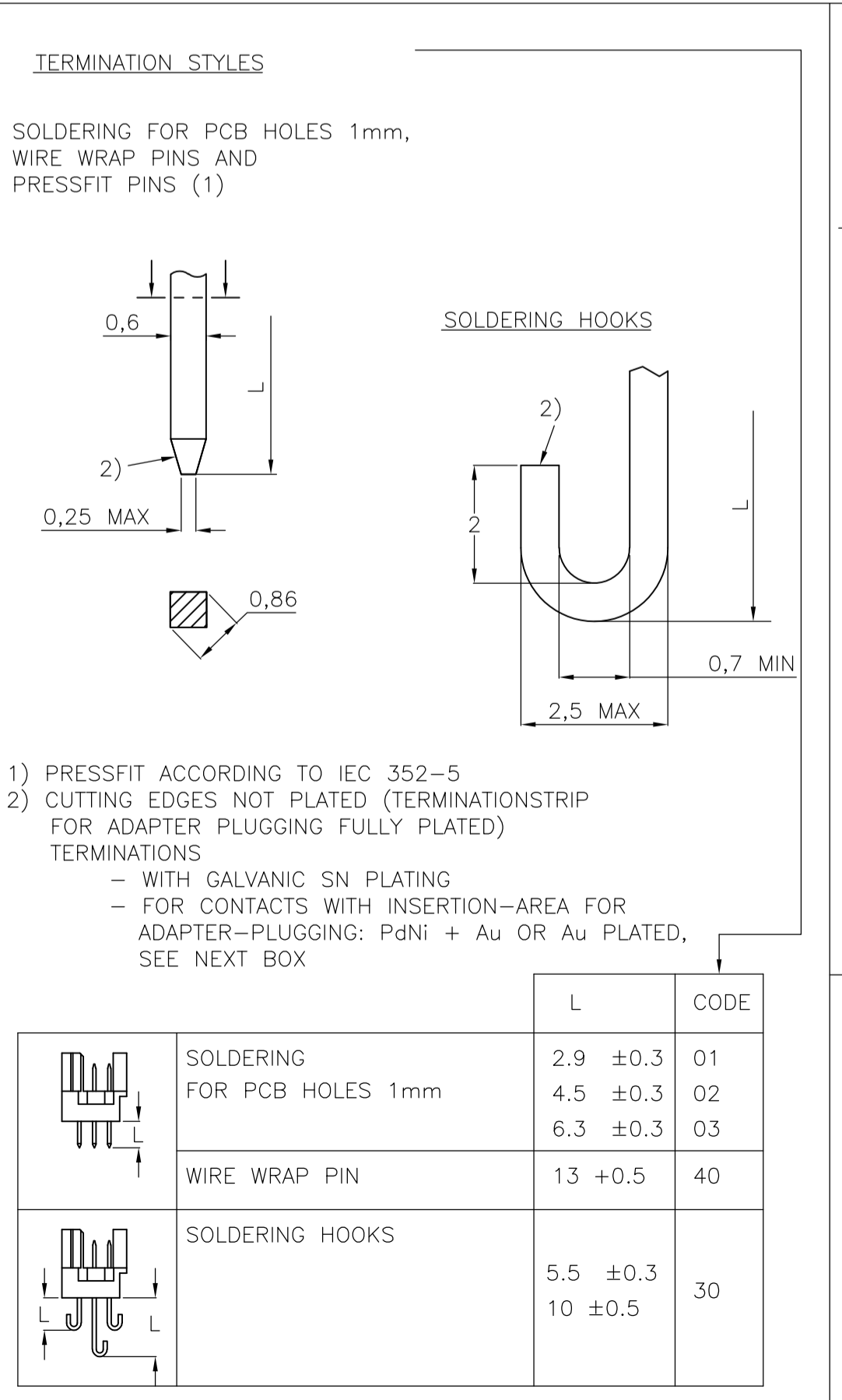
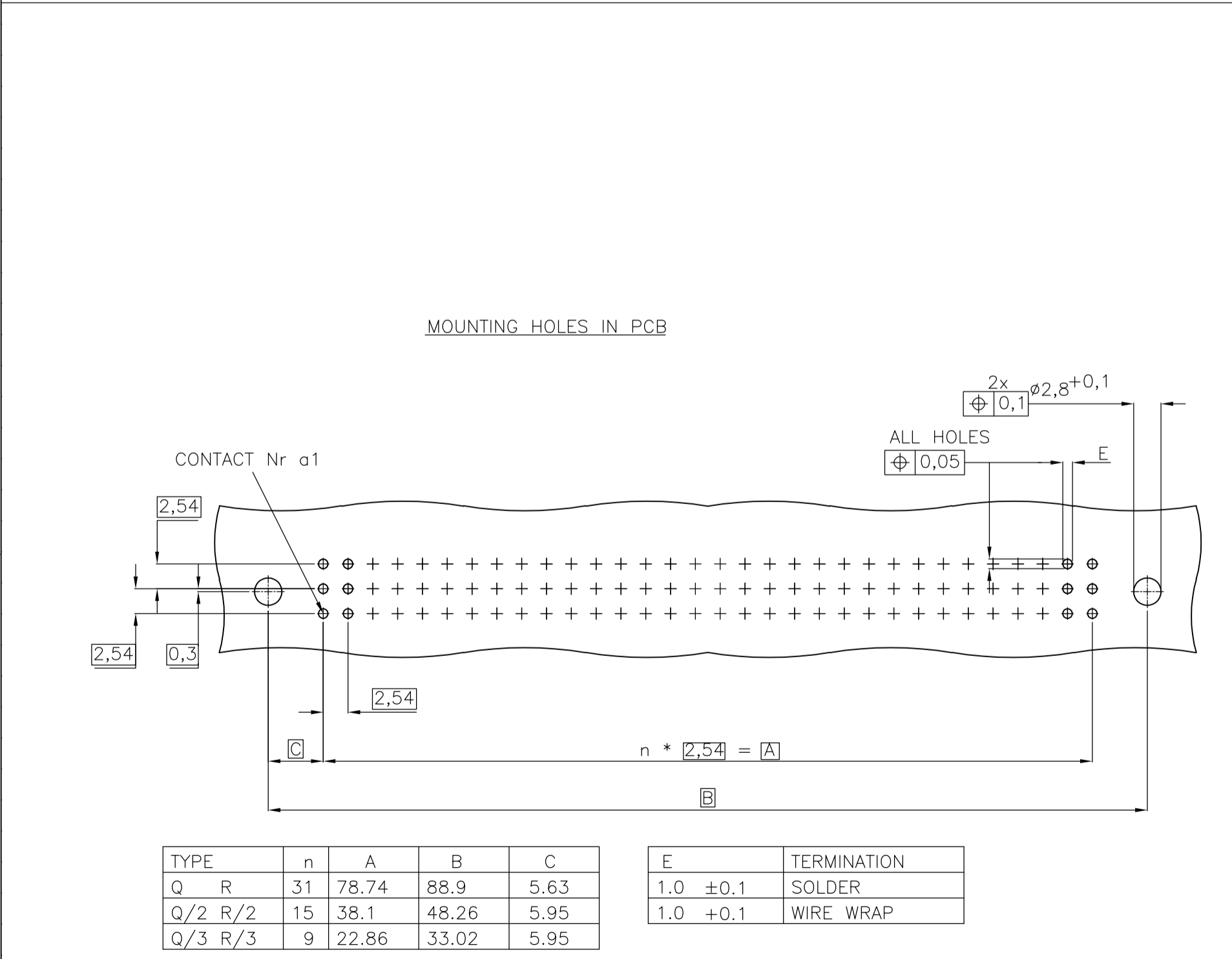
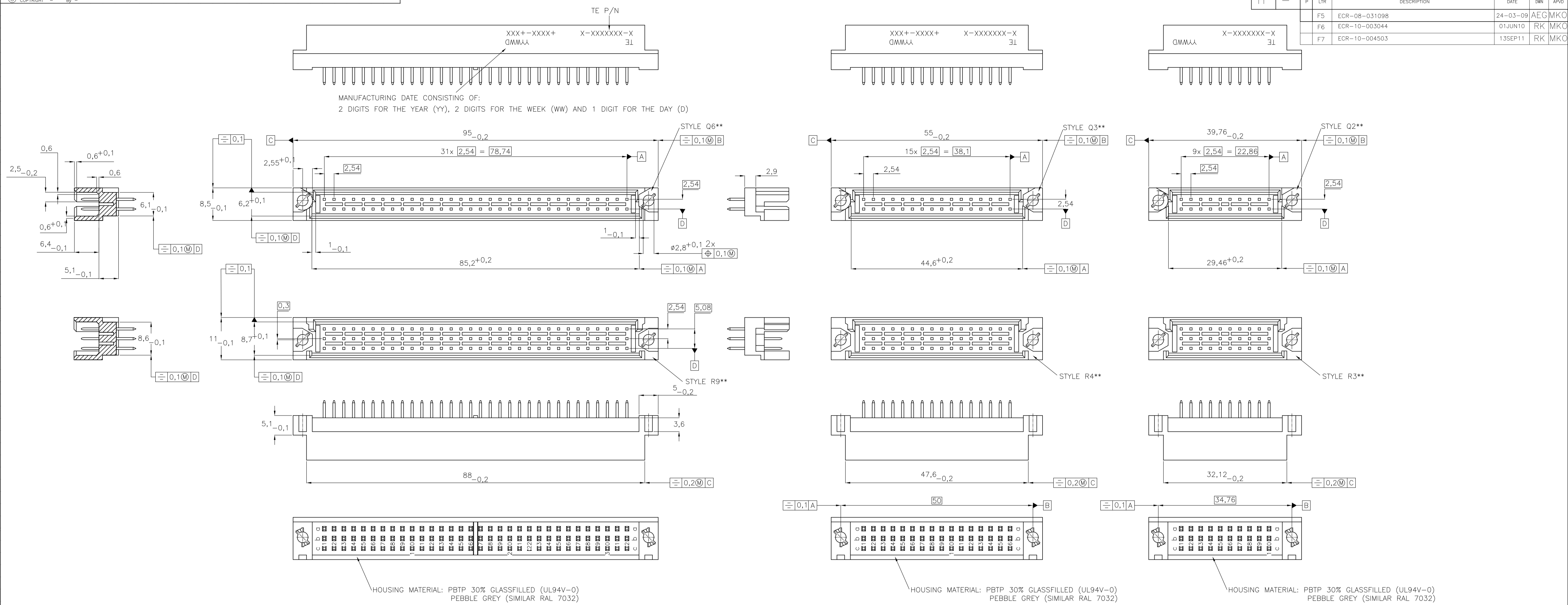
Tel: +86-755-8981 8866 Fax: +86-755-8427 6832

Email & Skype: info@chipsmall.com Web: www.chipsmall.com

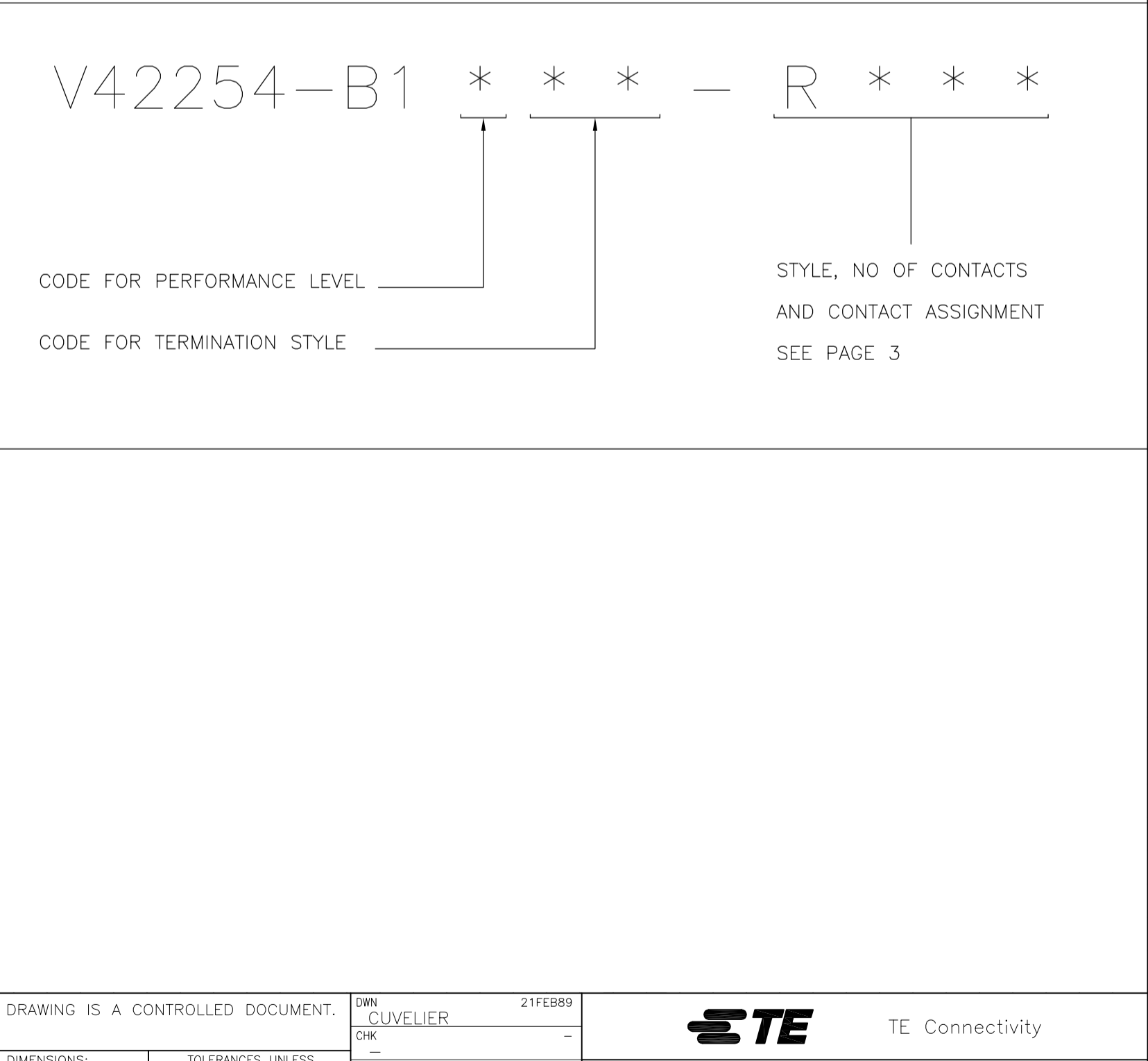
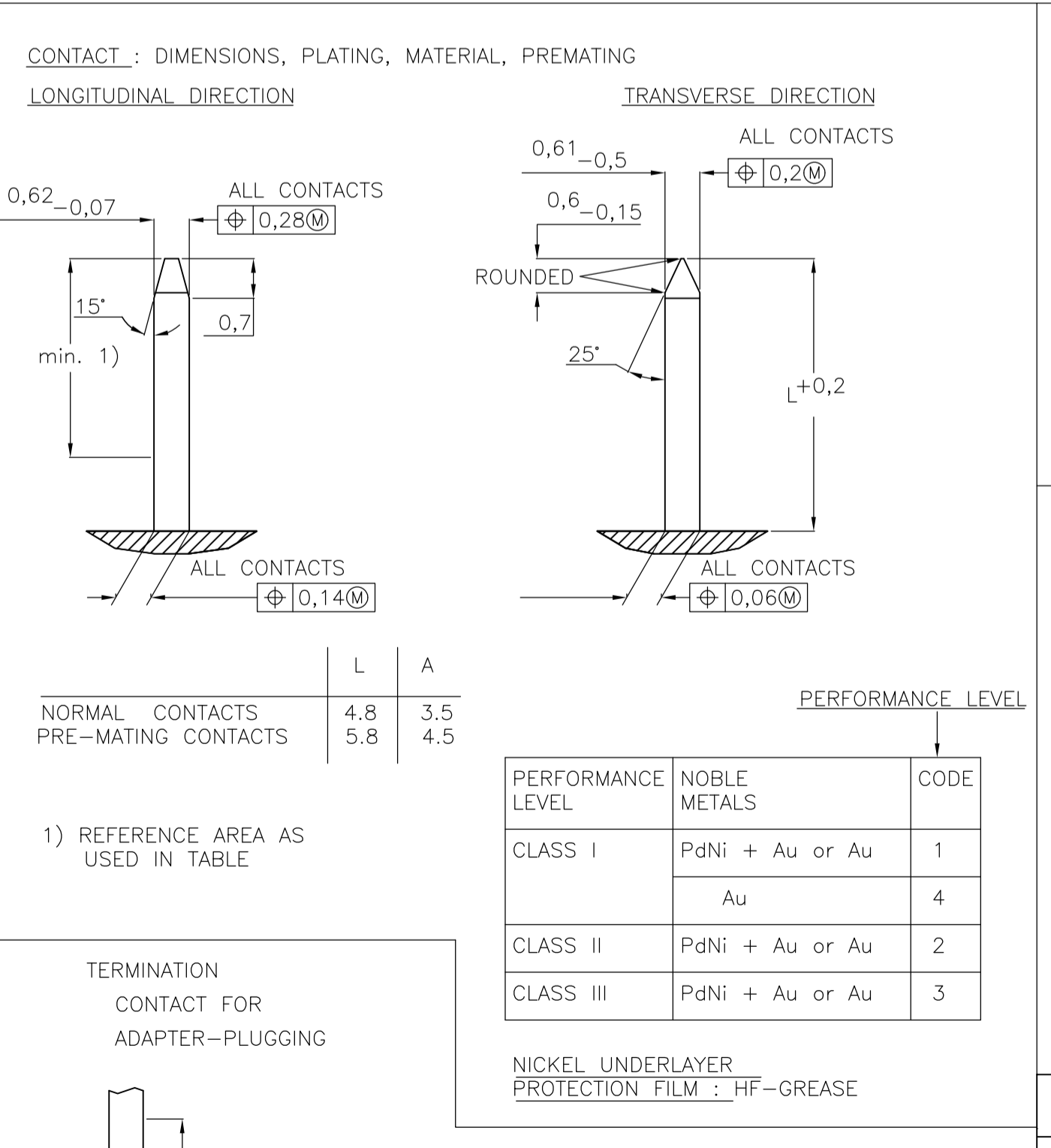
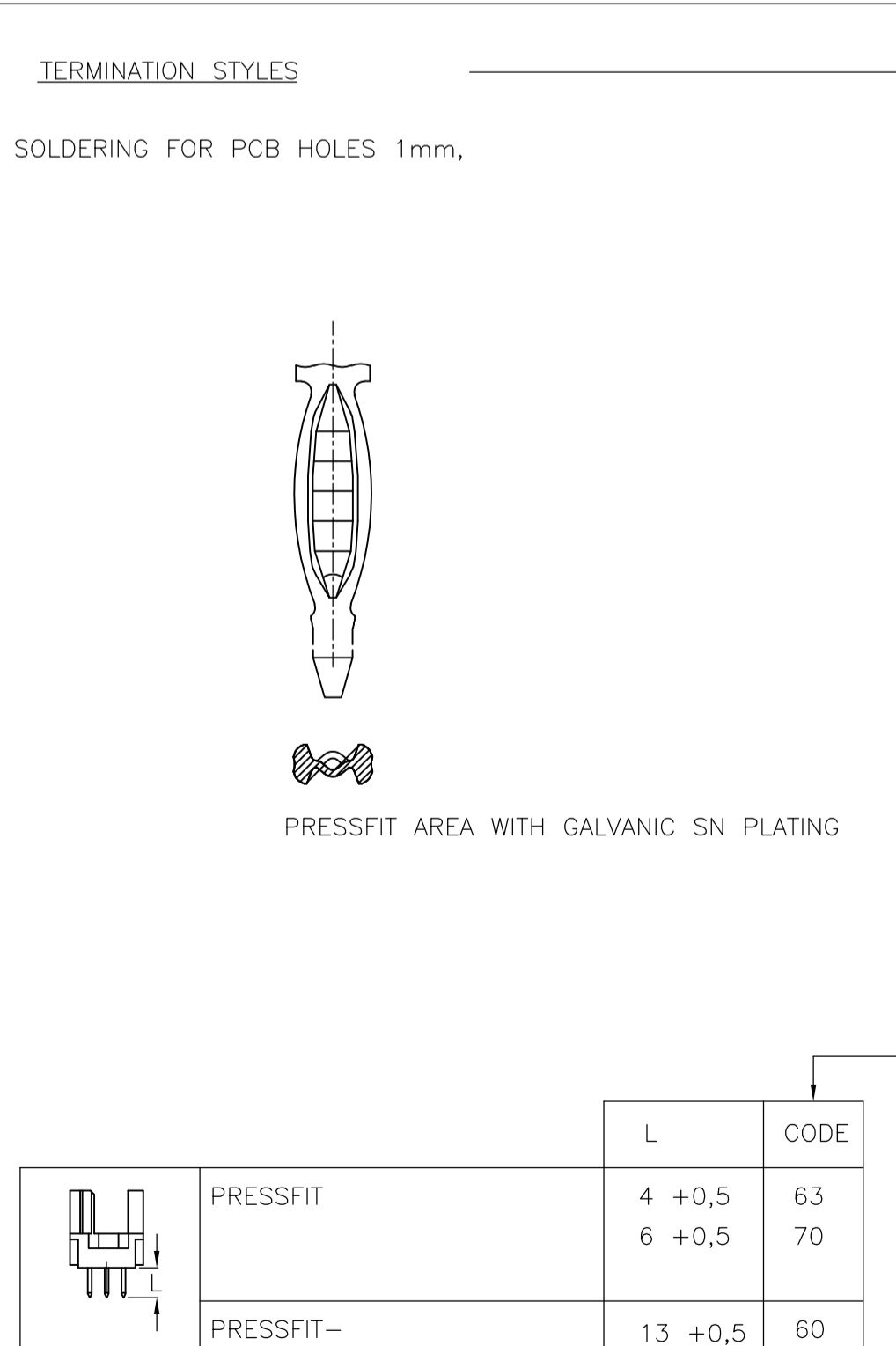
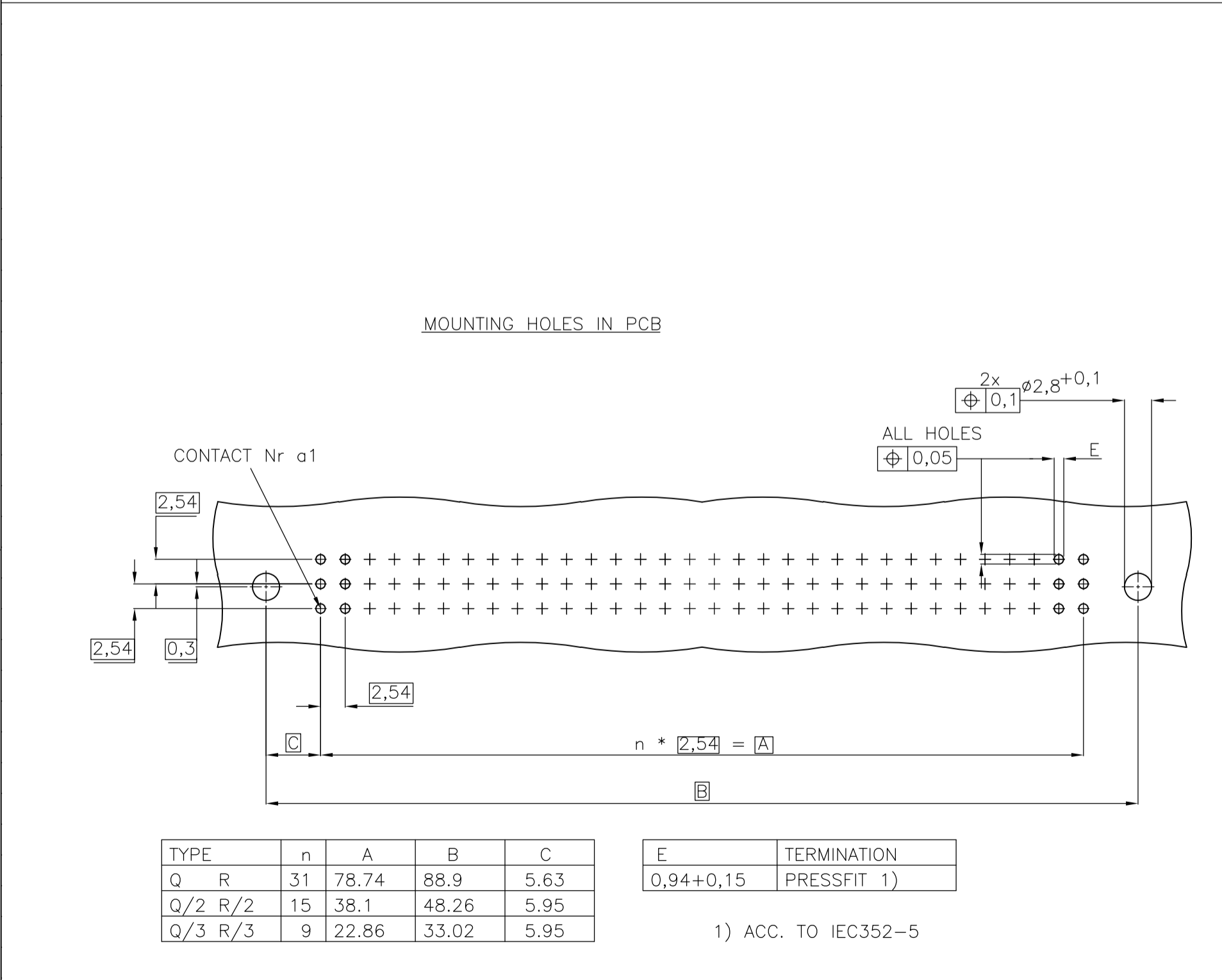
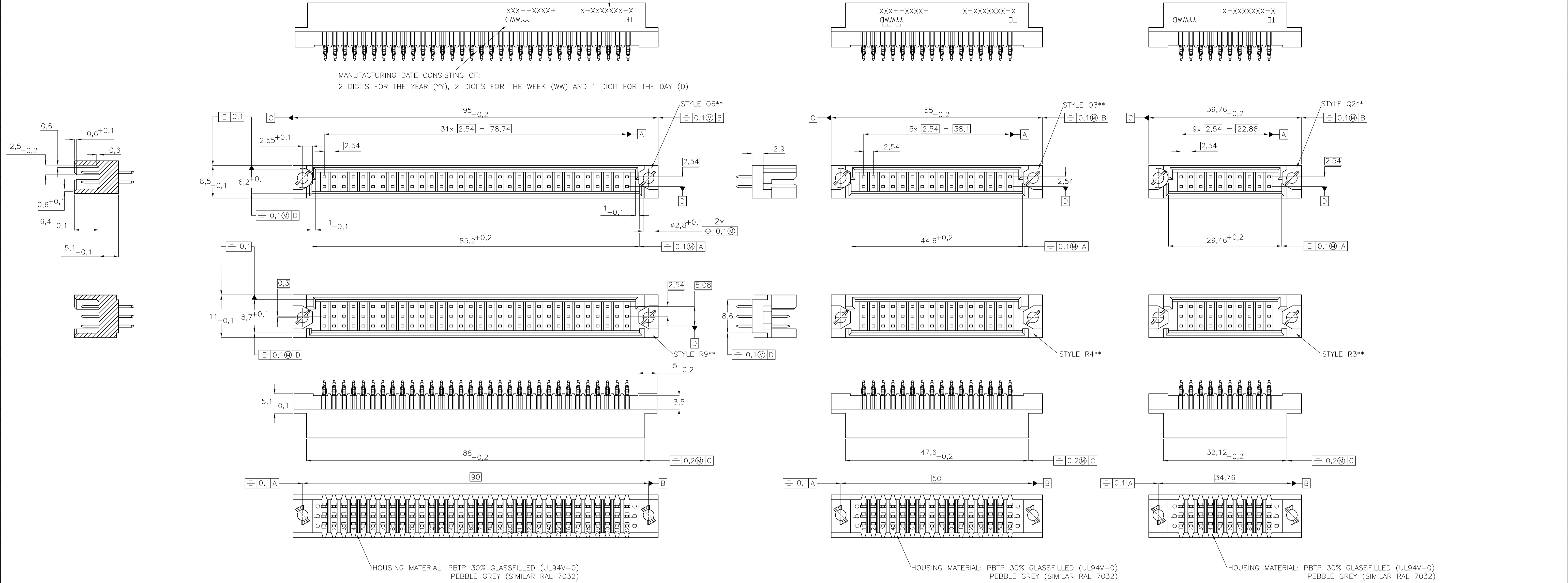
Address: A1208, Overseas Decoration Building, #122 Zhenhua RD., Futian, Shenzhen, China



REVISIOMS		DATE	DN	APVD
F5	ECR-08-031098	24-03-09	AEG	MKO
F6	ECR-10-003044	01JUN10	RK	MKO
F7	ECR-10-004503	13SEP11	RK	MKO



THIS INFORMATION IS CONFIDENTIAL AND PROPRIETARY TO TYCO ELECTRONICS CORPORATION AND ITS WORLDWIDE SUBSIDIARIES AND AFFILIATES. IT MAY NOT BE DISCLOSED TO ANYONE, OTHER THAN TYCO ELECTRONICS CORPORATION, WITHOUT WRITTEN AUTHORIZATION FROM TE (www.TE.com).



THIS INFORMATION IS CONFIDENTIAL AND PROPRIETARY TO TYCO ELECTRONICS CORPORATION AND ITS WORLDWIDE SUBSIDIARIES AND AFFILIATES. IT MAY NOT BE DISCLOSED TO ANYONE, OTHER THAN TYCO ELECTRONICS CORPORATION, WITHOUT WRITTEN AUTHORIZATION FROM TE (www.TE.com).

PRODUCT DESCRIPTION CODE	TE PART NUMBER	STYLE & NUMBER OF POSITIONS	TERMINATION POSTS	LOADED ROWS	STANDARD PRE-MATING (MM 1)	PERFORMANCE LEVEL	BOARD LOCKS	
V42254B1101Q210	1393659-2	Q20	2,9mm STRAIGHT SOLDER LEADS	EVERY ROW , EVERY PITCH	NO	1	YES	
V42254B1101R480	1393659-3	R48	2,9mm STRAIGHT SOLDER LEADS	EVERY ROW , EVERY PITCH	NO	1	NO	
V42254B1101R960	1393659-4	R96	2,9mm STRAIGHT SOLDER LEADS	EVERY ROW , EVERY PITCH	NO	1	NO	
V42254B1101R963	1393659-5	R96	2,9mm STRAIGHT SOLDER LEADS	ROW A+C , EVERY PITCH	NO	1	NO	
V42254B1101R968	1393659-6	R96	2,9mm STRAIGHT SOLDER LEADS	ROW A+C , EVERY EVEN PITCH	NO	1	NO	
V42254B1102Q200	1393659-7	Q20	4,5mm STRAIGHT SOLDER LEADS	EVERY ROW , EVERY PITCH	NO	1	NO	OBSOLETE
V42254B1102Q320	1393659-8	Q32	4,5mm STRAIGHT SOLDER LEADS	EVERY ROW , EVERY PITCH	NO	1	NO	
V42254B1102R480	1393659-9	R48	4,5mm STRAIGHT SOLDER LEADS	EVERY ROW , EVERY PITCH	NO	1	NO	
V42254B1102R960	1-1393659-0	R96	4,5mm STRAIGHT SOLDER LEADS	EVERY ROW , EVERY PITCH	NO	1	NO	
V42254B1102R960H	1-1393659-1	R96	4,5mm STRAIGHT SOLDER LEADS	EVERY ROW , EVERY PITCH	NO	1	NO	SUPERSEDED BY 4-1393659-5 4)
V42254B1103R960	1-1393659-2	R96	6,3mm STRAIGHT SOLDER LEADS	EVERY ROW , EVERY PITCH	NO	1	NO	
V42254B1140Q640	1-1393659-5	Q64	13mm STRAIGHT WIRE-WRAP PINS	EVERY ROW , EVERY PITCH	NO	1	NO	OBSOLETE
V42254B1140R480	1-1393659-6	R48	13mm STRAIGHT WIRE-WRAP PINS	EVERY ROW , EVERY PITCH	NO	1	NO	
V42254B1161R960	1393658-1	R96	17mm PRESS-IN TERMINALS WITH WIRE-WRAP	EVERY ROW , EVERY PITCH	NO	1	NO	
V42254B1201Q200	2-1393659-0	Q20	2,9mm STRAIGHT SOLDER LEADS	EVERY ROW , EVERY PITCH	NO	2	NO	
V42254B1201Q320	2-1393659-1	Q32	2,9mm STRAIGHT SOLDER LEADS	EVERY ROW , EVERY PITCH	NO	2	NO	
V42254B1201Q640	2-1393659-2	Q64	2,9mm STRAIGHT SOLDER LEADS	EVERY ROW , EVERY PITCH	NO	2	NO	SUPERSEDED BY 3-1393659-4
V42254B1201R300	2-1393659-3	R30	2,9mm STRAIGHT SOLDER LEADS	EVERY ROW , EVERY PITCH	NO	2	NO	
V42254B1201R303	2-1393659-4	R30	2,9mm STRAIGHT SOLDER LEADS	ROW A+C , EVERY PITCH	NO	2	NO	OBSOLETE
V42254B1201R410	2-1393659-5	R48	2,9mm STRAIGHT SOLDER LEADS	EVERY ROW , EVERY PITCH	NO	2	YES	
V42254B1201R480	2-1393659-6	R48	2,9mm STRAIGHT SOLDER LEADS	EVERY ROW , EVERY PITCH	NO	2	NO	
V42254B1201R913	2-1393659-7	R96	2,9mm STRAIGHT SOLDER LEADS	ROW A+C , EVERY PITCH	NO	2	YES	OBSOLETE
V42254B1201R960	2-1393659-8	R96	2,9mm STRAIGHT SOLDER LEADS	EVERY ROW , EVERY PITCH	NO	2	NO	
V42254B1201R963	2-1393659-9	R96	2,9mm STRAIGHT SOLDER LEADS	ROW A+C , EVERY PITCH	NO	2	NO	OBSOLETE
V42254B1201R968	3-1393659-0	R96	2,9mm STRAIGHT SOLDER LEADS	ROW A+C , EVERY EVEN PITCH	NO	2	NO	
V42254B1202Q320	3-1393659-1	Q32	4,5mm STRAIGHT SOLDER LEADS	EVERY ROW , EVERY PITCH	NO	2	NO	OBSOLETE 2)
V42254B1202Q320N	3-1393659-2	Q32	4,5mm STRAIGHT SOLDER LEADS	EVERY ROW , EVERY PITCH	NO	2	NO	
V42254B1202Q640	3-1393659-4	Q64	4,5mm STRAIGHT SOLDER LEADS	EVERY ROW , EVERY PITCH	NO	2	NO	
V42254B1202R300	3-1393659-5	R30	4,5mm STRAIGHT SOLDER LEADS	EVERY ROW , EVERY PITCH	NO	2	NO	OBSOLETE
V42254B1202R303	3-1393659-6	R30	4,5mm STRAIGHT SOLDER LEADS	ROW A+C , EVERY PITCH	NO	2	NO	
V42254B1202R410	3-1393659-7	R48	4,5mm STRAIGHT SOLDER LEADS	EVERY ROW , EVERY PITCH	NO	2	YES	
V42254B1202R480	3-1393659-9	R48	4,5mm STRAIGHT SOLDER LEADS	EVERY ROW , EVERY PITCH	NO	2	NO	
V42254B1202R483	4-1393659-0	R48	4,5mm STRAIGHT SOLDER LEADS	ROW A+C , EVERY PITCH	NO	2	NO	
V42254B1202R910	4-1393659-1	R96	4,5mm STRAIGHT SOLDER LEADS	EVERY ROW , EVERY PITCH	NO	2	YES	OBSOLETE
V42254B1202R913	4-1393659-2	R96	4,5mm STRAIGHT SOLDER LEADS	ROW A+C , EVERY PITCH	NO	2	YES	
V42254B1202R930	4-1393659-3	R96	4,5mm STRAIGHT SOLDER LEADS	EVERY ROW , EVERY PITCH	YES	2	NO	
V42254B1202R933	4-1393659-4	R96	4,5mm STRAIGHT SOLDER LEADS	ROW A+C , EVERY PITCH	YES	2	NO	SUPERSEDED BY 4-1393659-7
V42254B1202R960	4-1393659-5	R96	4,5mm STRAIGHT SOLDER LEADS	EVERY ROW , EVERY PITCH	NO	2	NO	
V42254B1202R960N	4-1393659-6	R96	4,5mm STRAIGHT SOLDER LEADS	EVERY ROW , EVERY PITCH	NO	2	NO	OBSOLETE 2)
V42254B1202R963	4-1393659-7	R96	4,5mm STRAIGHT SOLDER LEADS	ROW A+C , EVERY PITCH	NO	2	NO	
V42254B1202R965	4-1393659-8	R96	4,5mm STRAIGHT SOLDER LEADS	EVERY ROW , EVERY EVEN PITCH	NO	2	NO	
V42254B1202R968	4-1393659-9	R96	4,5mm STRAIGHT SOLDER LEADS	ROW A+C , EVERY EVEN PITCH	NO	2	NO	
V42254B1203R963	5-1393659-0	R96	6,3mm STRAIGHT SOLDER LEADS	ROW A+C , EVERY PITCH	NO	2	NO	
V42254B1230R303	5-1393659-1	R30	5,5/10mm SOLDER HOOKS	ROW A+C , EVERY PITCH	NO	2	NO	OBSOLETE
V42254B1230R960	5-1393659-3	R96	5,5/10mm SOLDER HOOKS	EVERY ROW , EVERY PITCH	NO	2	NO	
V42254B1230R963	5-1393659-4	R96	5,5/10mm SOLDER HOOKS	ROW A+C , EVERY PITCH	NO	2	NO	
V42254B1240Q640	5-1393659-6	Q64	13mm STRAIGHT WIRE-WRAP PINS	EVERY ROW , EVERY PITCH	NO	2	NO	
V42254B1240R300	5-1393659-7	R30	13mm STRAIGHT WIRE-WRAP PINS	EVERY ROW , EVERY PITCH	NO	2	NO	
V42254B1240R960	5-1393659-8	R96	13mm STRAIGHT WIRE-WRAP PINS	EVERY ROW , EVERY PITCH	NO	2	NO	
V42254B1240R963	5-1393659-9	R96	13mm STRAIGHT WIRE-WRAP PINS	ROW A+C , EVERY PITCH	NO	2	NO	
V42254B1260R483	1393658-2	R48	13mm PRESS-IN TERMINALS WITH WIRE-WRAP	ROW A+C , EVERY PITCH	NO	2	NO	
V42254B1260R960	1393658-3	R96	13mm PRESS-IN TERMINALS WITH WIRE-WRAP	EVERY ROW , EVERY PITCH	NO	2	NO	
V42254B1260R963	1393658-5	R96	13mm PRESS-IN TERMINALS WITH WIRE-WRAP	ROW A+C , EVERY PITCH	NO	2	NO	
V42254B1261R480	1393658-7	R48	17mm PRESS-IN TERMINALS WITH WIRE-WRAP	EVERY ROW , EVERY PITCH	NO	2	NO	OBSOLETE
V42254B1263Q320	9-1393501-4	Q32	3,7mm PRESS-IN TERMINALS	EVERY ROW , EVERY PITCH	NO	2	NO	
V42254B1263Q640	1393658-9	Q64	3,7mm PRESS-IN TERMINALS	EVERY ROW , EVERY PITCH	NO	2	NO	
V42254B1263R300	1-1393658-0	R30	3,7mm PRESS-IN TERMINALS	EVERY ROW , EVERY PITCH	NO	2	NO	
V42254B1263R300*40	1-1393658-1	R30	3,7mm PRESS-IN TERMINALS	EVERY ROW , EVERY PITCH	NO	2	NO	SUPERCEDED
V42254B1263R330	9-1393501-5	R30	3,7mm PRESS-IN TERMINALS	EVERY ROW , EVERY PITCH	YES	2	NO	
V42254B1263R480	1-1393658-2	R48	3,7mm PRESS-IN TERMINALS	EVERY ROW , EVERY PITCH	NO	2	NO	
V42254B1263R483	1-1393658-3	R48	3,7mm PRESS-IN TERMINALS	ROW A+C , EVERY PITCH	NO	2	NO	
V42254B1263R960	1-1393658-4	R96	3,7mm PRESS-IN TERMINALS	EVERY ROW , EVERY PITCH	NO	2	NO	
V42254B1263R963	1-1393658-5	R96	3,7mm PRESS-IN TERMINALS	ROW A+C , EVERY PITCH	NO	2	NO	
V42254B1266R300	1-1393658-6	R30	13mm PRESS-IN TERMINALS WITH WIRE-WRAP AN ADAPTER INSERTION AREA	EVERY ROW , EVERY PITCH	NO	2	NO	
V42254B1266R483	1-1393658-7	R48	13mm PRESS-IN TERMINALS WITH WIRE-WRAP AN ADAPTER INSERTION AREA	ROW A+C , EVERY PITCH	NO	2	NO	
V42254B1266R960	1-1393658-8	R96	13mm PRESS-IN TERMINALS WITH WIRE-WRAP AN ADAPTER INSERTION AREA	EVERY ROW , EVERY PITCH	NO	2	NO	OBSOLETE
V42254B1266R963	1-1393658-9	R96	13mm PRESS-IN TERMINALS WITH WIRE-WRAP AN ADAPTER INSERTION AREA	ROW A+C , EVERY PITCH	NO	2	NO	
V42254B1270R300	3-139-6	R30	6,0mm PRESS-IN TERMINALS FOR PCB-THICKNESS >=2,2mm	EVERY ROW , EVERY PITCH	NO	2	NO	
V42254B1270R960	2-1393658-1	R96	6,0mm PRESS-IN TERMINALS FOR PCB-THICKNESS >=2,2mm	EVERY ROW , EVERY PITCH	NO	2	NO	
V42254B1270R963	2-1393658-2	R96	6,0mm PRESS-IN TERMINALS FOR PCB-THICKNESS >=2,2mm	ROW A+C , EVERY PITCH	NO	2	NO	
V42254B1270R968	2-1393658-3	R96	6,0mm PRESS-IN TERMINALS FOR PCB-THICKNESS >=2,2mm	ROW A+C , EVERY EVEN PITCH	NO	2	NO	
V42254B1468R960	3-1393658-8	R96	20mm PRESS-IN TERMINALS WITH WIRE-WRAP AN ADAPTER INSERTION AREA	EVERY ROW , EVERY PITCH	NO	1	NO	
V42254F1101R480	7-1393659-4	R48	2,9mm STRAIGHT SOLDER LEADS	EVERY ROW , EVERY PITCH	NO	1	NO	3)
V42254F1201R410	7-1393659-5	R48	2,9mm STRAIGHT SOLDER LEADS	EVERY ROW , EVERY PITCH	NO	2	YES	3)

4) ACCORDING TO BT 222 LEVEL 1.
 3) CONNECTORS WITH FLUX-TIGHT COATING.
 2) NO COMPANY NAME MARKED ON THE CONNECTOR.
 1) FIRST AND LAST CONTACT OF EACH LOADED ROW IS A PRE-MATING (MAKE FIRST / BREAK LAST) CONTACT.

ACTIVE PART NUMBERS.
 CONTACT TE FOR OTHER CONFIGURATION AVAILABILITY.

THIS INFORMATION IS CONFIDENTIAL AND PROPRIETARY TO TYCO ELECTRONICS CORPORATION AND ITS WORLDWIDE WORLDWIDE SUBSIDIARIES AND AFFILIATES. IT MAY NOT BE DISCLOSED TO ANYONE, OTHER THAN TYCO ELECTRONICS CORPORATION, WITHOUT WRITTEN AUTHORIZATION FROM TE (www.TE.com).

THIS DRAWING IS A CONTROLLED DOCUMENT.		DWN	CUVELIER	21FEB89	TE Connectivity	
DIMENSIONS: mm		CHK			NAME	
TOLERANCES UNLESS OTHERWISE SPECIFIED:		APVD			PRODUCT SPEC	
0 PLC ± -					APPLICATION SPEC	
1 PLC ± -					RESTRICTED TO	
2 PLC ± -					SIZE	
3 PLC ± -					CAGE CODE	
4 PLC ± -					DRAWING NO	
ANGLES ± -					WEIGHT	
MATERIAL					A1 00779	
FINISH					9-1393501-4	
					CUSTOMER DRAWING	
					SCALE NTS SHEET 3 OF 3 REV F7	