



Chipsmall Limited consists of a professional team with an average of over 10 year of expertise in the distribution of electronic components. Based in Hongkong, we have already established firm and mutual-benefit business relationships with customers from,Europe,America and south Asia,supplying obsolete and hard-to-find components to meet their specific needs.

With the principle of “Quality Parts,Customers Priority,Honest Operation,and Considerate Service”,our business mainly focus on the distribution of electronic components. Line cards we deal with include Microchip,ALPS,ROHM,Xilinx,Pulse,ON,Everlight and Freescale. Main products comprise IC,Modules,Potentiometer,IC Socket,Relay,Connector.Our parts cover such applications as commercial,industrial, and automotives areas.

We are looking forward to setting up business relationship with you and hope to provide you with the best service and solution. Let us make a better world for our industry!



Contact us

Tel: +86-755-8981 8866 Fax: +86-755-8427 6832

Email & Skype: info@chipsmall.com Web: www.chipsmall.com

Address: A1208, Overseas Decoration Building, #122 Zhenhua RD., Futian, Shenzhen, China

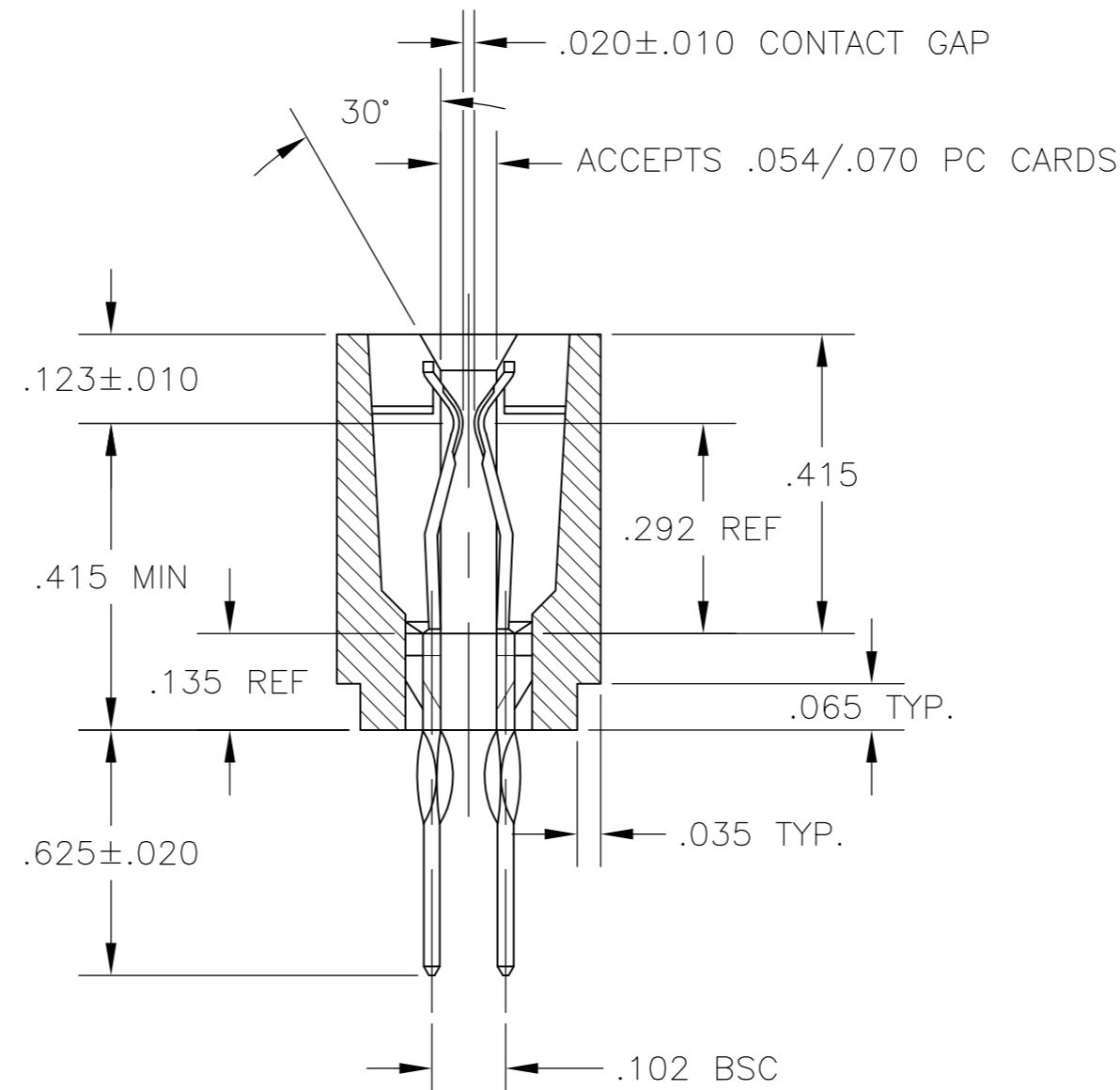
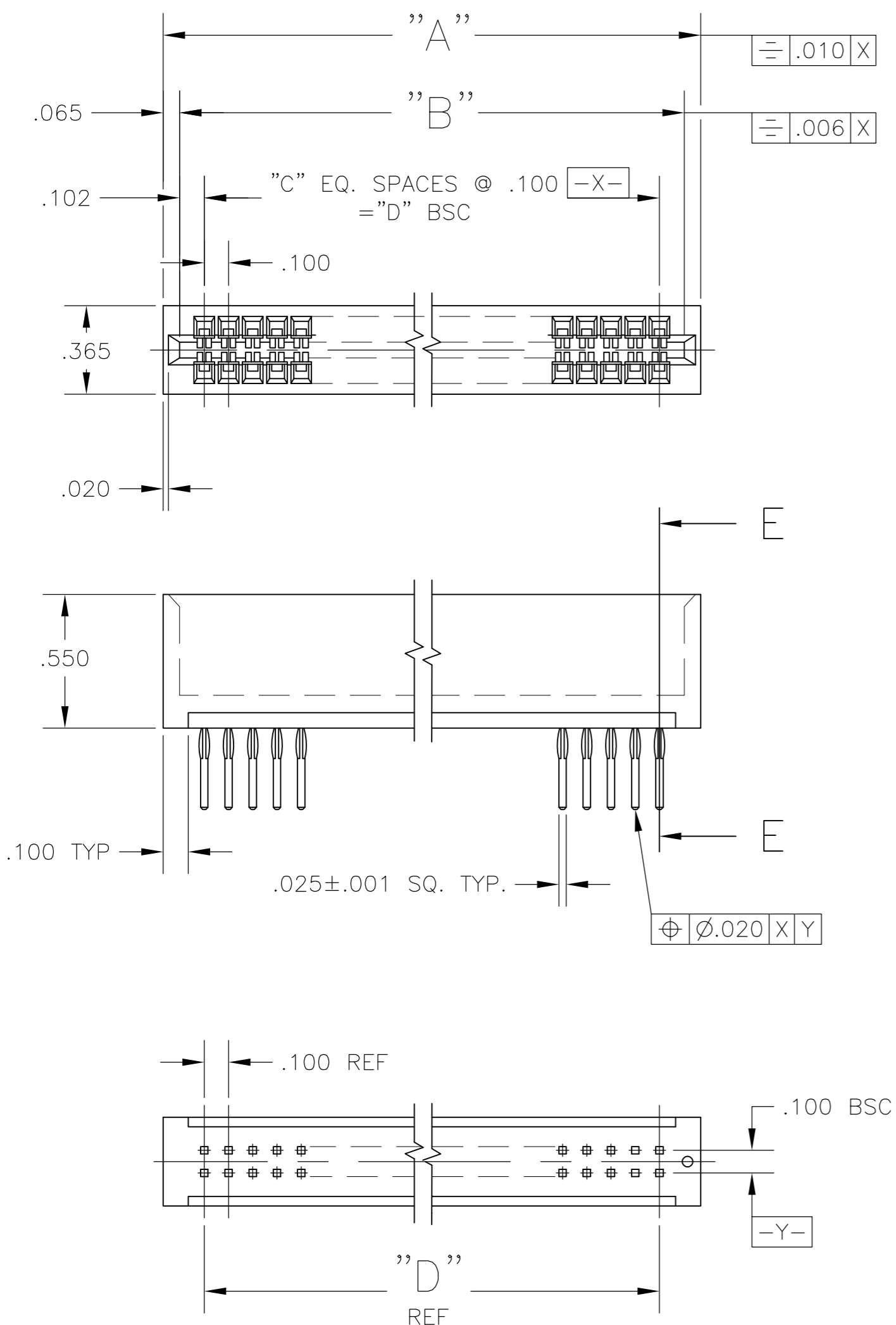


THIS DRAWING IS UNPUBLISHED. RELEASED FOR PUBLICATION
 © COPYRIGHT BY TYCO ELECTRONICS CORPORATION. ALL RIGHTS RESERVED.

LOC	DIST	REVISIONS					
		P	LTR	DESCRIPTION	DATE	DWN	APVD
AD	00	A		ECO-05-002939	27JUN06	BSV	MK
		A1		REVISED PER ECO-09-024927	03DEC09	KK	AEG

NOTES:

- 1 MATERIAL: 30% GLASS FILLED REINFORCED POLYESTER, FLAME RETARDANT PER UL 94V-0, COLOR-BLACK.
- 2 CONTACT MATERIAL: CDA #725 ALLOY, HARD TEMPER.
- 3 CONTACT PLATING: 45- .000005 IN. GOLD FLASH OVER .000050 MIN. NICKEL UNDERPLATE, WITH .000030 IN. GOLD PLATE ON THE CONTACT AREA AND THE SIGNIFICANT TAIL AREA.
- 4. RECOMMENDED PC BOARD HOLE SIZE:
 -DRILLED HOLE SIZE OF .0453±.0010.
 -COPPER PLATE .001-.003 THICK.
 -TIN/LEAD PLATE .0003 MINIMUM.
 -FINISHED HOLE SIZE OF .040±.003.
- 5. RECOMMENDED PC BOARD THICKNESS: .093/.125.
- 6 OBSOLETE PARTS: OBSOLETE CIS STREAMLINING PER D.RENAUD/D.SINISI



SECTION E-E
SCALE 4:1

6	OBSOLETE	9.900	99	10.104	10.234	C1D100PF45037
		8.900	89	9.104	9.234	C1D90PF45037
		6.900	69	7.104	7.234	C1D70PF45037
	"D" ±.005	"C" EQ. SPACES	"B" ±.005	"A" ±.010	HOLMBERG ASSY. NO.S	

THIS DRAWING IS A CONTROLLED DOCUMENT.		DWN S.J.LAPRAIK	28MARGO	Tyco Electronics Corporation Harrisburg, Pa 17105-3608	
DIMENSIONS: INCHES	TOLERANCES UNLESS OTHERWISE SPECIFIED:	CHK -	APVD -	NAME	
	0 PLC ± -	PRODUCT SPEC	CONNECTOR ASSY, PRESS/FIT CARD EDGE		
	1 PLC ± -	APPLICATION SPEC	.100 X .100 CENTRES, C1 SERIES		
	2 PLC ± .010		SIZE	CAGE CODE	DRAWING NO
	3 PLC ± .005		A2	00779	C=1437264-2
	4 PLC ± .002		RESTRICTED TO		
	ANGLES ± 2°				
MATERIAL	FINISH	WEIGHT -	SCALE 2:1	SHEET 1 OF 1	REV A1
		CUSTOMER DRAWING			

1437264-2