



Chipsmall Limited consists of a professional team with an average of over 10 year of expertise in the distribution of electronic components. Based in Hongkong, we have already established firm and mutual-benefit business relationships with customers from,Europe,America and south Asia,supplying obsolete and hard-to-find components to meet their specific needs.

With the principle of “Quality Parts,Customers Priority,Honest Operation,and Considerate Service”,our business mainly focus on the distribution of electronic components. Line cards we deal with include Microchip,ALPS,ROHM,Xilinx,Pulse,ON,Everlight and Freescale. Main products comprise IC,Modules,Potentiometer,IC Socket,Relay,Connector.Our parts cover such applications as commercial,industrial, and automotives areas.

We are looking forward to setting up business relationship with you and hope to provide you with the best service and solution. Let us make a better world for our industry!



Contact us

Tel: +86-755-8981 8866 Fax: +86-755-8427 6832

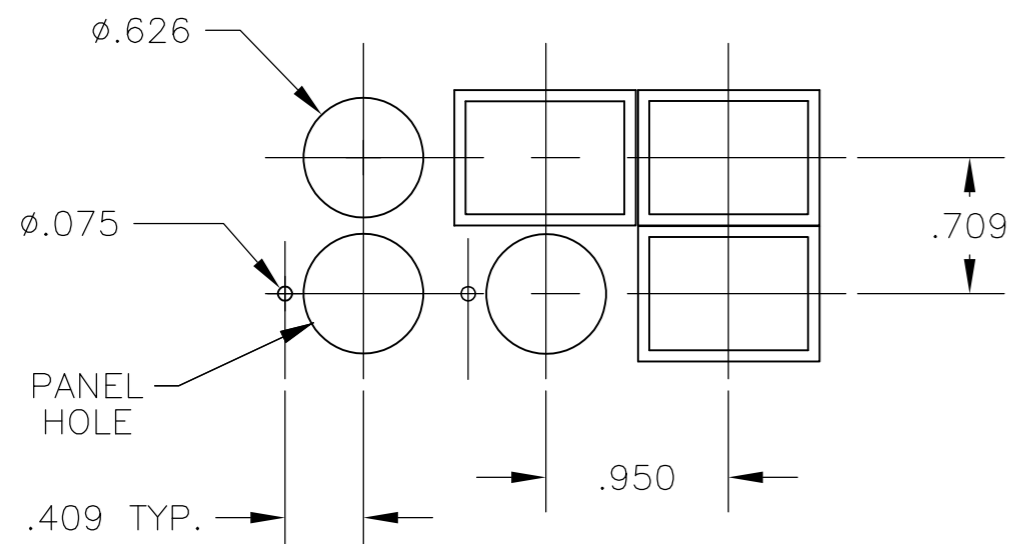
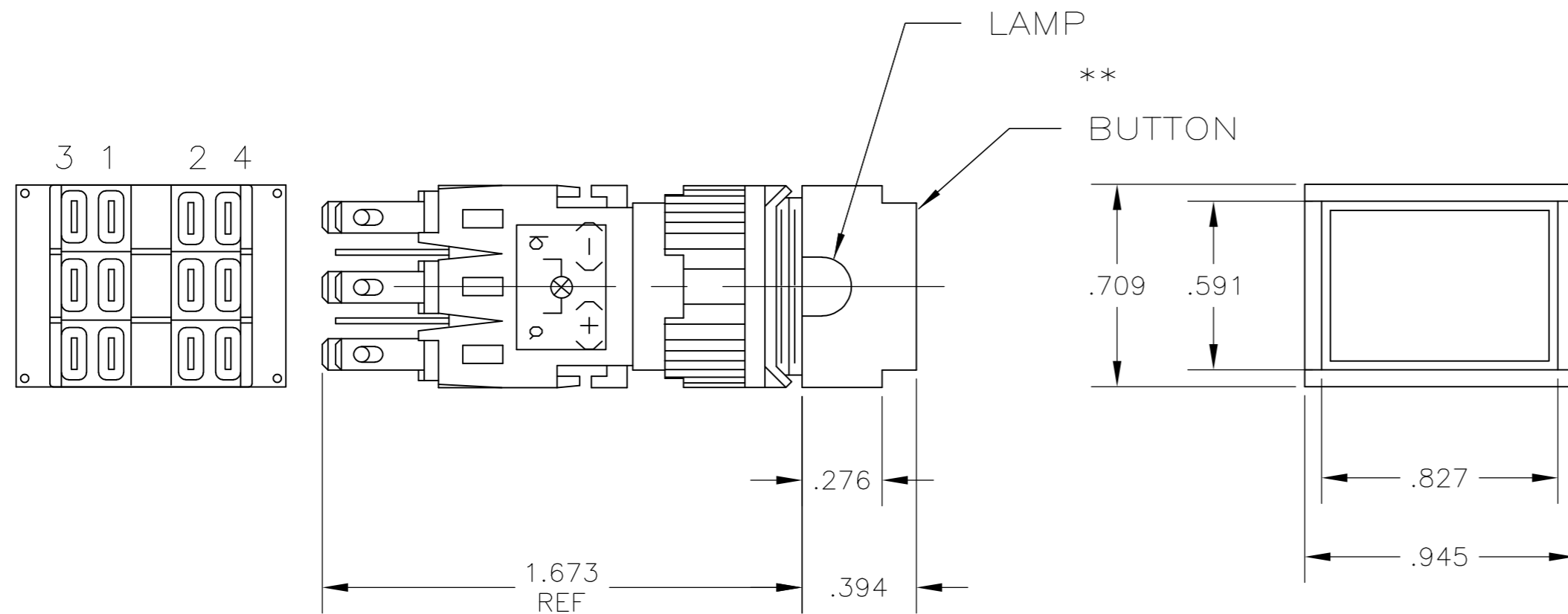
Email & Skype: info@chipsmall.com Web: www.chipsmall.com

Address: A1208, Overseas Decoration Building, #122 Zhenhua RD., Futian, Shenzhen, China



THIS DRAWING IS UNPUBLISHED. RELEASED FOR PUBLICATION
 © COPYRIGHT BY TYCO ELECTRONICS CORPORATION. ALL INTERNATIONAL RIGHTS RESERVED.

LOC		DIST		REVISIONS			
AD	00	P	LTR	DESCRIPTION	DATE	DWN	APVD
		A1		REVISED PER ECO-10-000290	07JAN11	HMR	MW



RECOMMENDED HOLE LAYOUT
 TOLERANCE +/- .002

SPECIFICATIONS:

MATERIALS:

MOVING CONTACT: COPPER ALLOY, GOLD PLATE OVER SILVER CLAD.
 FIXED CONTACT: COPPER ALLOY, GOLD PLATE OVER SILVER CLAD.

ELECTRICAL:

CONTACT RATING: .04VA @ 20VDC OR PEAK AC.
 5 AMPS @ 250VAC OR 24VDC (RESISTIVE).
 INITIAL CONTACT RESISTANCE: 20 MILLIOHMS MAX.
 INSULATION RESISTANCE: 100 MEGOHMS MINIMUM.
 DIELECTRIC STRENGTH: 1500 VOLTS RMS @ SEA LEVEL.
 LIFE EXPECTANCY: 100,000 CYCLES.

ENVIRONMENTAL:

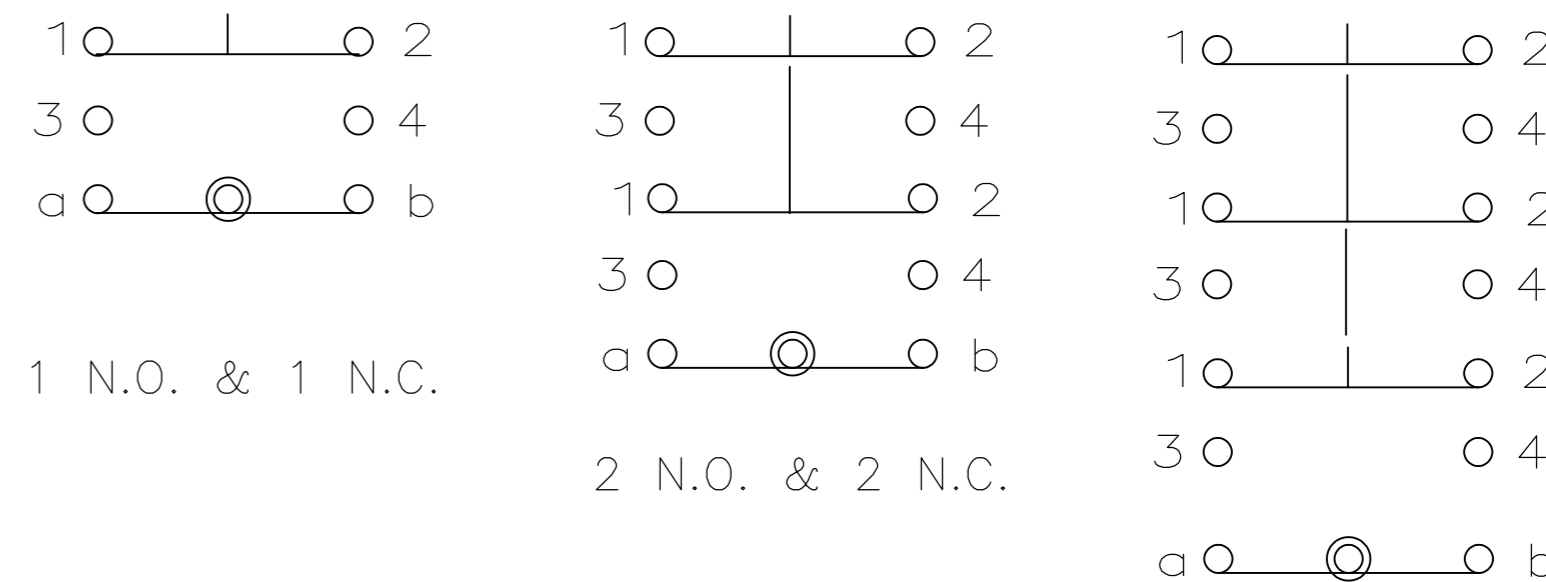
OPERATING TEMPERATURE: -4°F TO +122°F
 (-20°C TO +50°C)
 STORAGE TEMPERATURE: -4°F TO +122°F
 (-20°C TO +50°C)

- INTERPRET DRAWING PER ASME Y14.5M-1994.
- OILTIGHT MODELS MEET NEMA 1, 12, 13 REQUIREMENTS.
- UL RECOGNIZED E-51302.
- PANEL THICKNESS: NON-OILTIGHT = 0.230 MAX.
OILTIGHT = 0.210 MAX.

** ORDER BUTTON AND LAMP SEPARATELY: SEE DWG NO. 80810 & 80811

- 5 THE PLATINGS CONTAINED IN THIS PART SHALL CONTAIN NO LEAD.
- 6 PRELIMINARY PART

5	1571545-5		165TL511	1 N.O. & N.C.	PUSH ON/PUSH OFF
5	1571545-4		165TL11	1 N.O. & N.C.	MOMENTARY
5	1571545-3	164TL522		2 N.O. & N.C.	PUSH ON/PUSH OFF
5	1571545-2	164TL22		2 N.O. & N.C.	MOMENTARY
5	1571545-1	164TL11		1 N.O. & N.C.	MOMENTARY
5	5-1437569-8		165TL533	3 N.O. & N.C.	PUSH ON/PUSH OFF
5	5-1437569-7		165TL522	2 N.O. & N.C.	PUSH ON/PUSH OFF
5	5-1437569-6		165TL511	1 N.O. & N.C.	PUSH ON/PUSH OFF
			165TL33	3 N.O. & N.C.	MOMENTARY
5	5-1437569-5		165TL22	2 N.O. & N.C.	MOMENTARY
5	5-1437569-4		165TL11	1 N.O. & N.C.	MOMENTARY
	147521-1		165TL	-	MOMENTARY
4	4-1437569-0	164TL533		3 N.O. & N.C.	PUSH ON/PUSH OFF
3	3-1437569-9	164TL522		2 N.O. & N.C.	PUSH ON/PUSH OFF
3	3-1437569-8	164TL511		1 N.O. & N.C.	PUSH ON/PUSH OFF
3	3-1437569-7	164TL5		-	PUSH ON/PUSH OFF
3	3-1437569-6	164TL33		3 N.O. & N.C.	MOMENTARY
3	3-1437569-5	164TL22		2 N.O. & N.C.	MOMENTARY
3	3-1437569-4	164TL11		1 N.O. & N.C.	MOMENTARY
3	3-1437569-3	164TL		-	MOMENTARY
TE PART No.	MODEL NON OILTIGHT	MODEL OILTIGHT	CONTACTS	ACTION	



CONTACT DIAGRAM
 (BUTTON NOT DEPRESSED) 3 N.O. & 3 N.C.
 WAS 80865

THIS DRAWING IS A CONTROLLED DOCUMENT.		DWN LM 2-23-89	Tyco Electronics Corporation Harrisburg, PA 17105-3608	
DIMENSIONS: INCHES		CHK TH 3-22-89	NAME 164/165 TL SERIES ILLUMINATED PUSHBUTTON	
TOLERANCES UNLESS OTHERWISE SPECIFIED:		APVD CF 3-22-89	SIZE CAGE CODE DRAWING NO RESTRICTED TO	
0 PLC ± -		PRODUCT SPEC -	A2 00779 C-3-1437569-4 -	
1 PLC ± -		APPLICATION SPEC -	SCALE 1:1 SHEET 1 OF 1 REV A1	
2 PLC ± -		WEIGHT -	CUSTOMER DRAWING	
3 PLC ± .010				
4 PLC ± -				
ANGLES ± -				
FINISH -				