



Chipsmall Limited consists of a professional team with an average of over 10 year of expertise in the distribution of electronic components. Based in Hongkong, we have already established firm and mutual-benefit business relationships with customers from,Europe,America and south Asia,supplying obsolete and hard-to-find components to meet their specific needs.

With the principle of "Quality Parts,Customers Priority,Honest Operation,and Considerate Service",our business mainly focus on the distribution of electronic components. Line cards we deal with include Microchip,ALPS,ROHM,Xilinx,Pulse,ON,Everlight and Freescale. Main products comprise IC,Modules,Potentiometer,IC Socket,Relay,Connector.Our parts cover such applications as commercial,industrial, and automotives areas.

We are looking forward to setting up business relationship with you and hope to provide you with the best service and solution. Let us make a better world for our industry!



Contact us

Tel: +86-755-8981 8866 Fax: +86-755-8427 6832

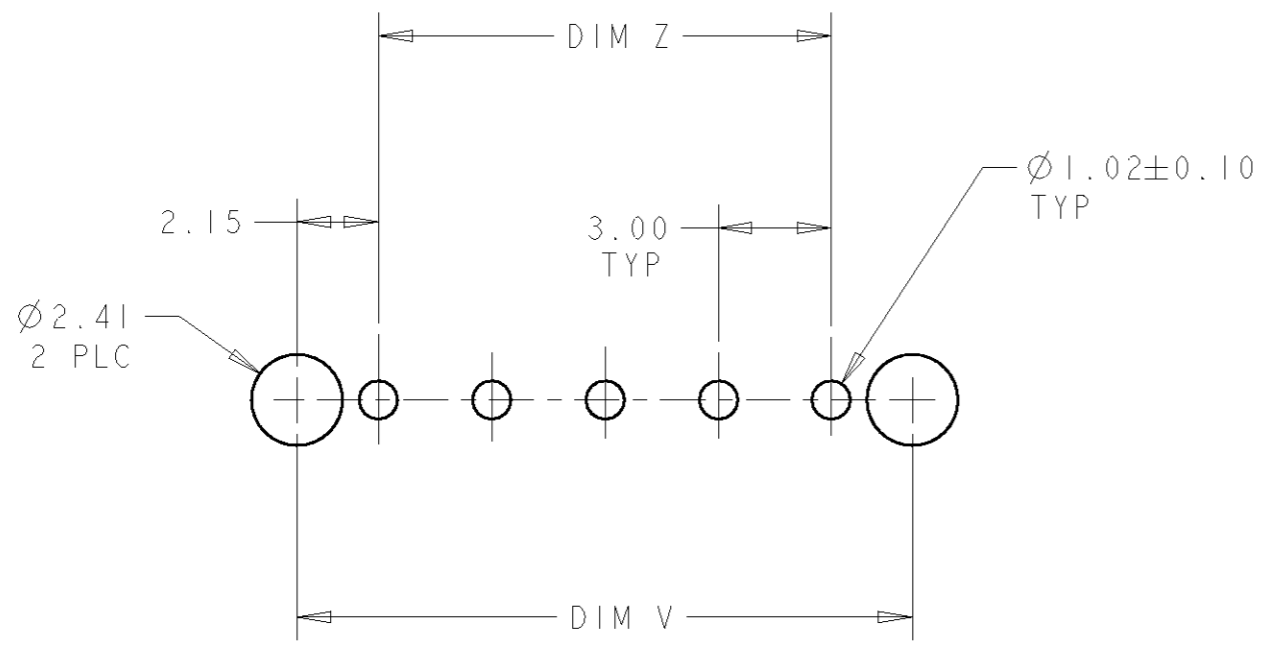
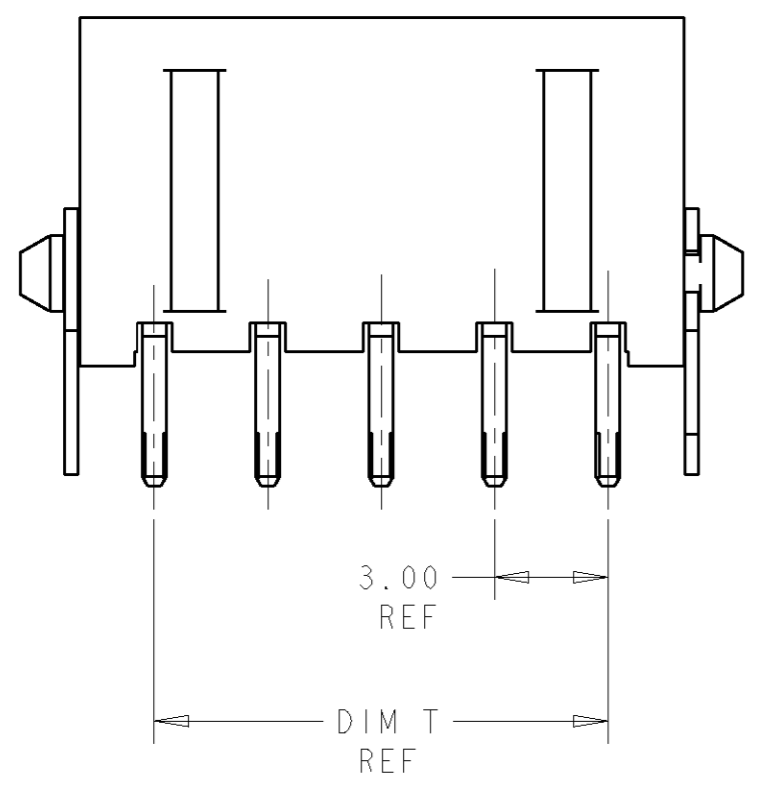
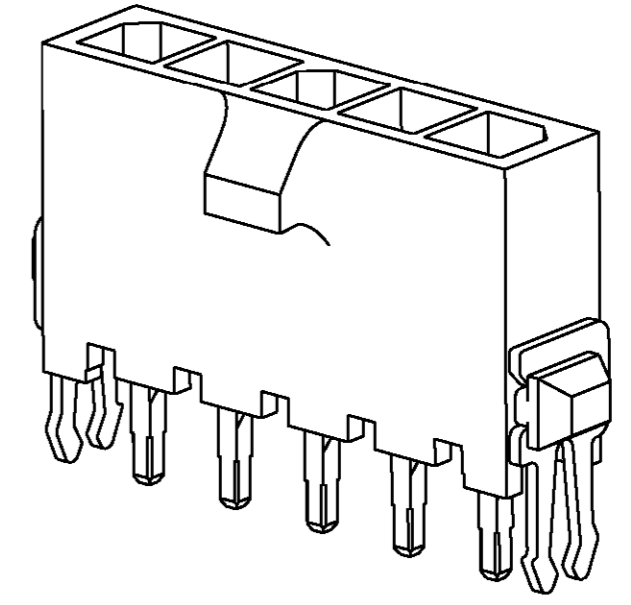
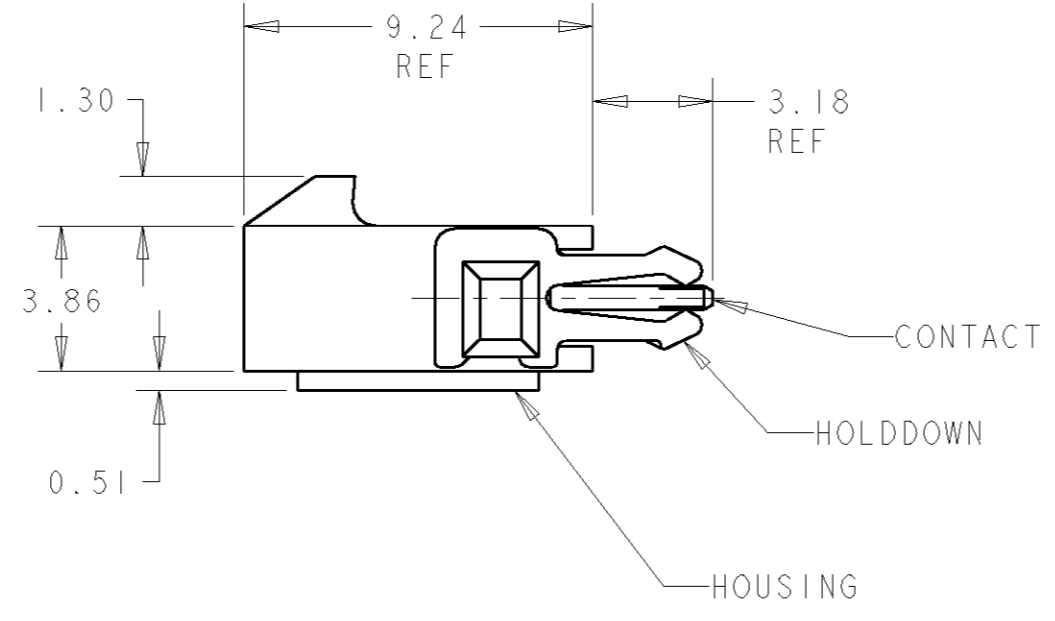
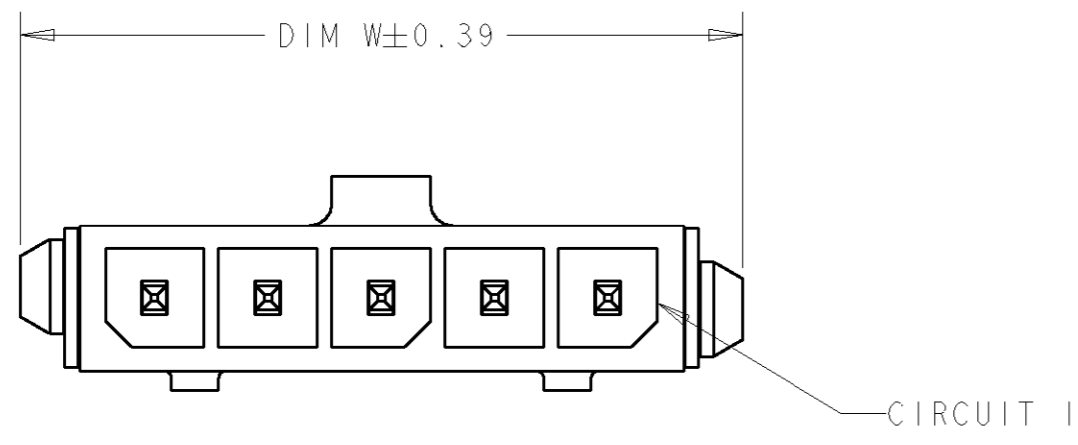
Email & Skype: info@chipsmall.com Web: www.chipsmall.com

Address: A1208, Overseas Decoration Building, #122 Zhenhua RD., Futian, Shenzhen, China



THIS DRAWING IS UNPUBLISHED. RELEASED FOR PUBLICATION .19
 © COPYRIGHT 19 BY AMP INCORPORATED. ALL RIGHTS RESERVED.

LOC	DIST	REVISIONS					
CM	00	P	LTR	DESCRIPTION	DATE	DWN	APVD
		0		RELEASED PER 0G3B-0330-01	15-AUG-01	KW	CJ



PCB LAYOUT COMPONENT SIDE $\triangle 4$

- $\triangle 1$ MATERIAL: CONTACTS - BRASS
 HOUSING - UL 94V-0 RATED HIGH TEMP NYLON, COLOR BLACK.
 HOLDDOWNS: - PHOSPHOR BRONZE.
- $\triangle 2$ PLATING: CONTACTS - 2.54 μ m MINIMUM TIN-LEAD OVER 1.27 μ m MINIMUM NICKEL.
 HOLDDOWNS: 2.54 μ m MINIMUM TIN-LEAD OVER 1.27 μ m MINIMUM NICKEL.
- $\triangle 4$ RECOMMENDED PC BOARD THICKNESS OF 1.57.

33.00	37.43	33.00	40.14	12	1-1445051-2
30.00	34.43	30.00	37.14	11	1-1445051-1
27.00	31.43	27.00	34.14	10	1-1445051-0
24.00	28.43	24.00	31.14	9	1445051-9
21.00	25.43	21.00	28.14	8	1445051-8
18.00	22.43	18.00	25.14	7	1445051-7
15.00	19.43	15.00	22.14	6	1445051-6
12.00	16.43	12.00	19.14	5	1445051-5
9.00	13.43	9.00	16.14	4	1445051-4
6.00	10.43	6.00	13.14	3	1445051-3
3.00	7.43	3.00	10.14	2	1445051-2
DIM Z	DIM V	DIM T	DIM W	NO. OF POSN	PART NUMBER

THIS DRAWING IS A CONTROLLED DOCUMENT FOR AMP INCORPORATED. IT IS SUBJECT TO CHANGE AND THE CONTROLLING ENGINEERING ORGANIZATION SHOULD BE CONTACTED FOR THE LATEST REVISION.		DWN J.ROOT 08OCT2000 CHK K. WHITAKER 12-MAR-2001 APVD K. WHITAKER 12-MAR-2001	AMP Tyco Electronics Harrisburg, PA 17105-3608
DIMENSIONS: mm 	TOLERANCES UNLESS OTHERWISE SPECIFIED: 0 PLC ± 1 PLC ± 2 PLC ±0.13 3 PLC ± 4 PLC ± ANGLES ± FINISH -	PRODUCT SPEC - APPLICATION SPEC - WEIGHT -	NAME VERTICAL THRU HOLE HEADER ASSY, TIN CONTACTS, WITH THRU HOLE HOLDDOWNS, SINGLE ROW, MICRO MATE-N-LOK™ SIZE A2 CAGE CODE 00779 DRAWING NO. 1445051
MATERIAL - $\triangle 1$	FINISH - $\triangle 2$	CUSTOMER DRAWING	SCALE 5:1 SHEET 1 OF 1 REV 0

