



Chipsmall Limited consists of a professional team with an average of over 10 year of expertise in the distribution of electronic components. Based in Hongkong, we have already established firm and mutual-benefit business relationships with customers from,Europe,America and south Asia,supplying obsolete and hard-to-find components to meet their specific needs.

With the principle of “Quality Parts,Customers Priority,Honest Operation,and Considerate Service”,our business mainly focus on the distribution of electronic components. Line cards we deal with include Microchip,ALPS,ROHM,Xilinx,Pulse,ON,Everlight and Freescale. Main products comprise IC,Modules,Potentiometer,IC Socket,Relay,Connector.Our parts cover such applications as commercial,industrial, and automotives areas.

We are looking forward to setting up business relationship with you and hope to provide you with the best service and solution. Let us make a better world for our industry!



Contact us

Tel: +86-755-8981 8866 Fax: +86-755-8427 6832

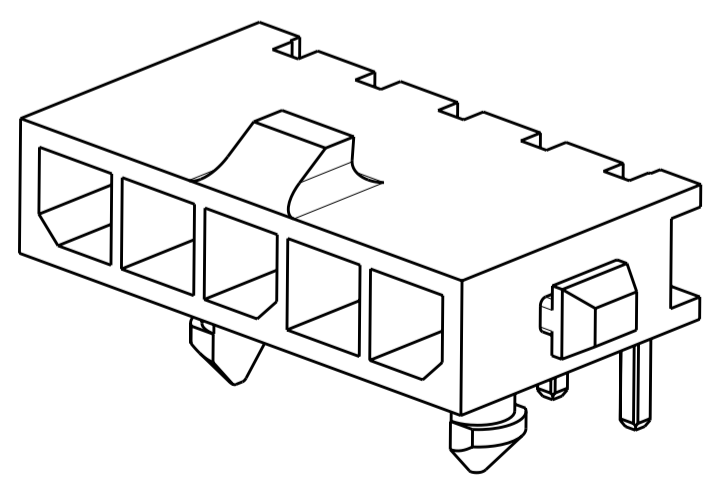
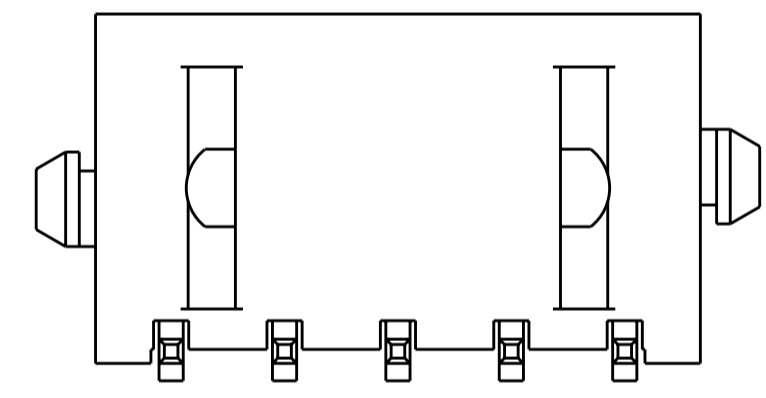
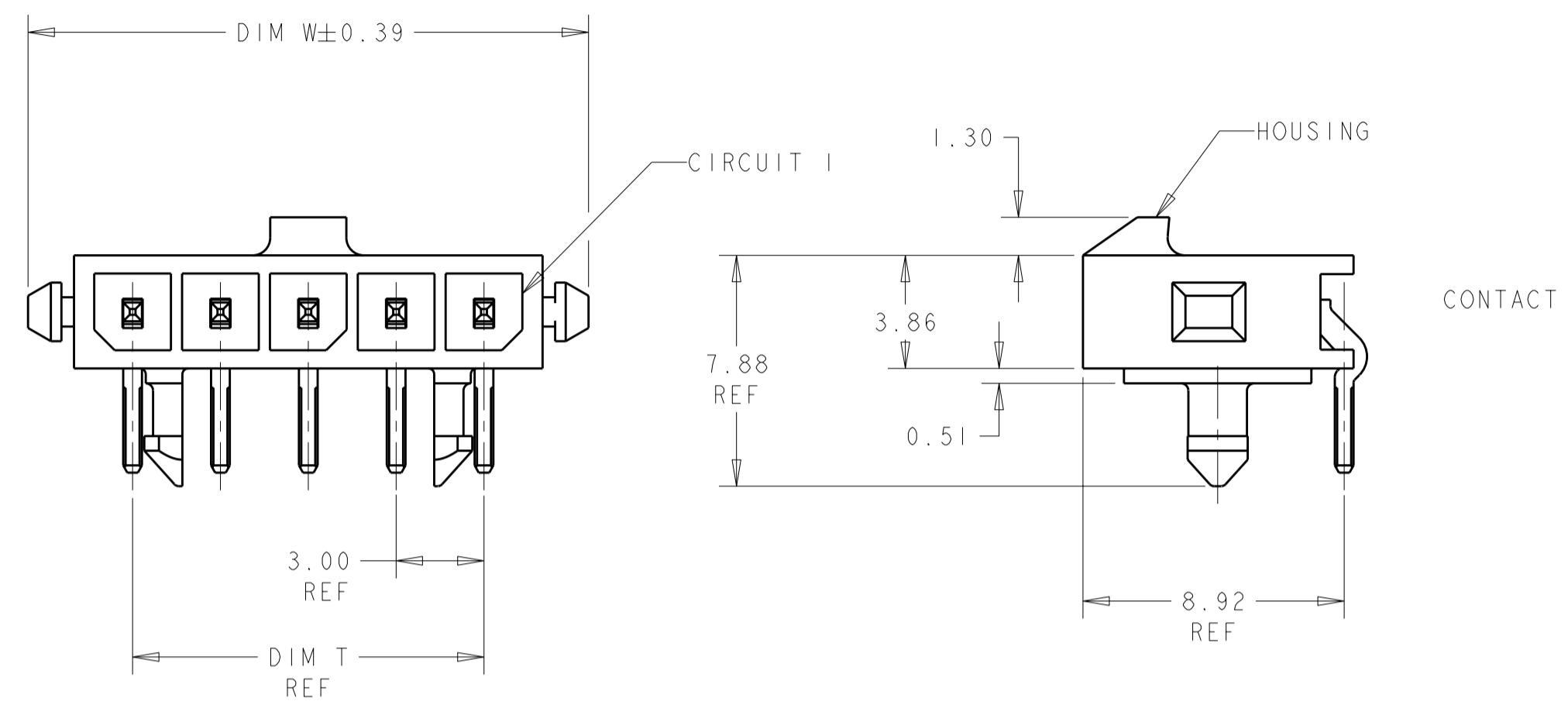
Email & Skype: info@chipsmall.com Web: www.chipsmall.com

Address: A1208, Overseas Decoration Building, #122 Zhenhua RD., Futian, Shenzhen, China



THIS DRAWING IS UNPUBLISHED. RELEASED FOR PUBLICATION 2011
 © COPYRIGHT 2011 ALL RIGHTS RESERVED.

| REVISIONS | | | | | | |
|-----------|-----|---------------------------|-----------|-----|------|--|
| P | LTR | DESCRIPTION | DATE | DWN | APVD | |
| | AI | REVISED PER ECR-11-014228 | 11JUL2011 | HMR | TM | |



- 1 MATERIAL: CONTACTS - BRASS
HOUSING - UL 94V-0 RATED HIGH TEMP NYLON, COLOR BLACK.
- 2 PLATING: CONTACTS - 0.38µm MINIMUM GOLD ON MATING END,
2.54µm MINIMUM TIN LEAD ON SOLDER TAILS, BOTH OVER
1.27µm MINIMUM NICKEL.
- 4 RECOMMENDED PC BOARD THICKNESS OF 1.57.
- 5 PLATING: CONTACTS - 0.38µm MINIMUM GOLD ON MATING END,
2.54µm MINIMUM MATTE TIN ON SOLDER TAILS, BOTH OVER
1.27µm MINIMUM NICKEL.

| FINISH | DIM Z | DIM V | DIM T | DIM W | NO. OF POSN | PART NUMBER |
|--------|-------|-------|-------|-------|-------------|-------------|
| 5 | 33.00 | 28.70 | 33.00 | 40.14 | 12 | 3-1445089-2 |
| 5 | 30.00 | 25.70 | 30.00 | 37.14 | 11 | 3-1445089-1 |
| 5 | 27.00 | 22.70 | 27.00 | 34.14 | 10 | 3-1445089-0 |
| 5 | 24.00 | 19.70 | 24.00 | 31.14 | 9 | 2-1445089-9 |
| 5 | 21.00 | 16.70 | 21.00 | 28.14 | 8 | 2-1445089-8 |
| 5 | 18.00 | 13.70 | 18.00 | 25.14 | 7 | 2-1445089-7 |
| 5 | 15.00 | 10.70 | 15.00 | 22.14 | 6 | 2-1445089-6 |
| 5 | 12.00 | 7.70 | 12.00 | 19.14 | 5 | 2-1445089-5 |
| 5 | 9.00 | 4.70 | 9.00 | 16.14 | 4 | 2-1445089-4 |
| 5 | - | - | 6.00 | 13.14 | 3 | 2-1445089-3 |
| 5 | - | - | 3.00 | 10.14 | 2 | 2-1445089-2 |
| 2 | 33.00 | 28.70 | 33.00 | 40.14 | 12 | 1-1445089-2 |
| 2 | 30.00 | 25.70 | 30.00 | 37.14 | 11 | 1-1445089-1 |
| 2 | 27.00 | 22.70 | 27.00 | 34.14 | 10 | 1-1445089-0 |
| 2 | 24.00 | 19.70 | 24.00 | 31.14 | 9 | 1445089-9 |
| 2 | 21.00 | 16.70 | 21.00 | 28.14 | 8 | 1445089-8 |
| 2 | 18.00 | 13.70 | 18.00 | 25.14 | 7 | 1445089-7 |
| 2 | 15.00 | 10.70 | 15.00 | 22.14 | 6 | 1445089-6 |
| 2 | 12.00 | 7.70 | 12.00 | 19.14 | 5 | 1445089-5 |
| 2 | 9.00 | 4.70 | 9.00 | 16.14 | 4 | 1445089-4 |
| 2 | - | - | 6.00 | 13.14 | 3 | 1445089-3 |
| 2 | - | - | 3.00 | 10.14 | 2 | 1445089-2 |

METRIC

THIS DRAWING IS A CONTROLLED DOCUMENT. DWN J.ROOT 09OCT2000
 CHK K.WHITAKER 17-APR-2001
 APVD C.JONES 17-APR-2001

TE Connectivity

RIGHT ANGLE THRU HOLE HEADER ASSY, 0.38 MIC GOLD CONTACTS, WITH PLASTIC HOLDDOWNS, SGL ROW, MICRO MATE-N-LOK™

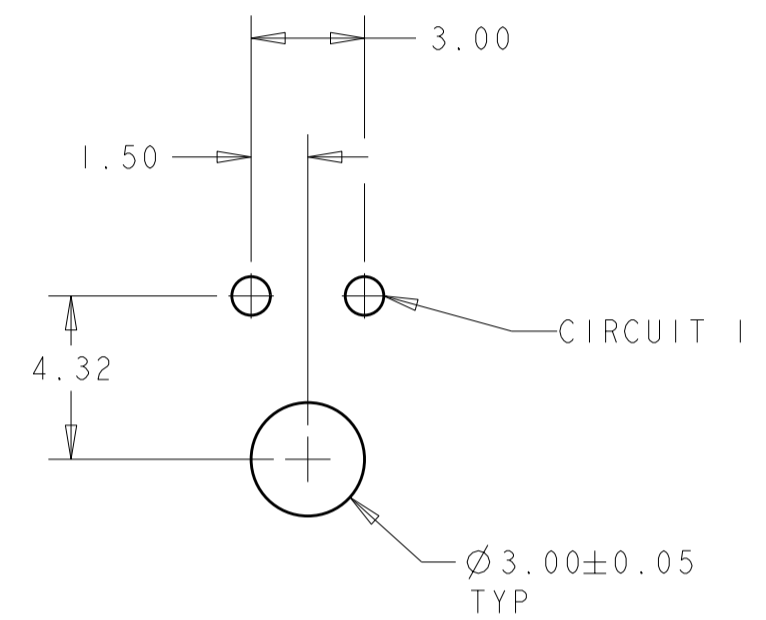
SIZE A2 CAGE CODE 00779 DRAWING NO. 1445089 RESTRICTED TO

MATERIAL SEE TABLE WEIGHT -

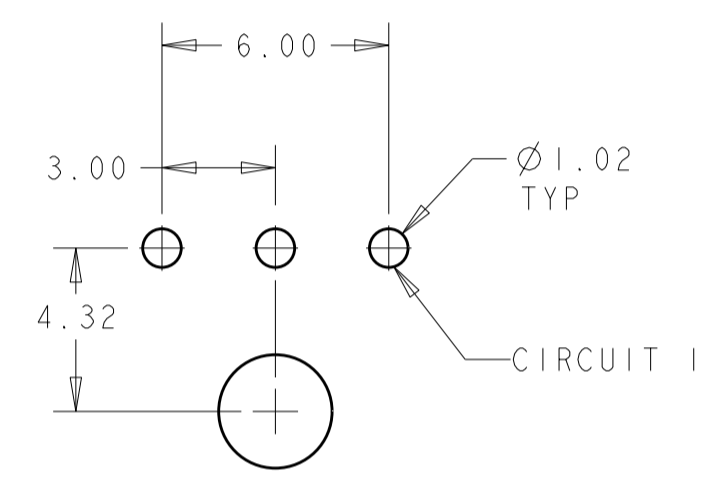
CUSTOMER DRAWING SCALE 5:1 SHEET 1 OF 2 REV AI

THIS DRAWING IS UNPUBLISHED. RELEASED FOR PUBLICATION 2011
 © COPYRIGHT 2011 ALL RIGHTS RESERVED.

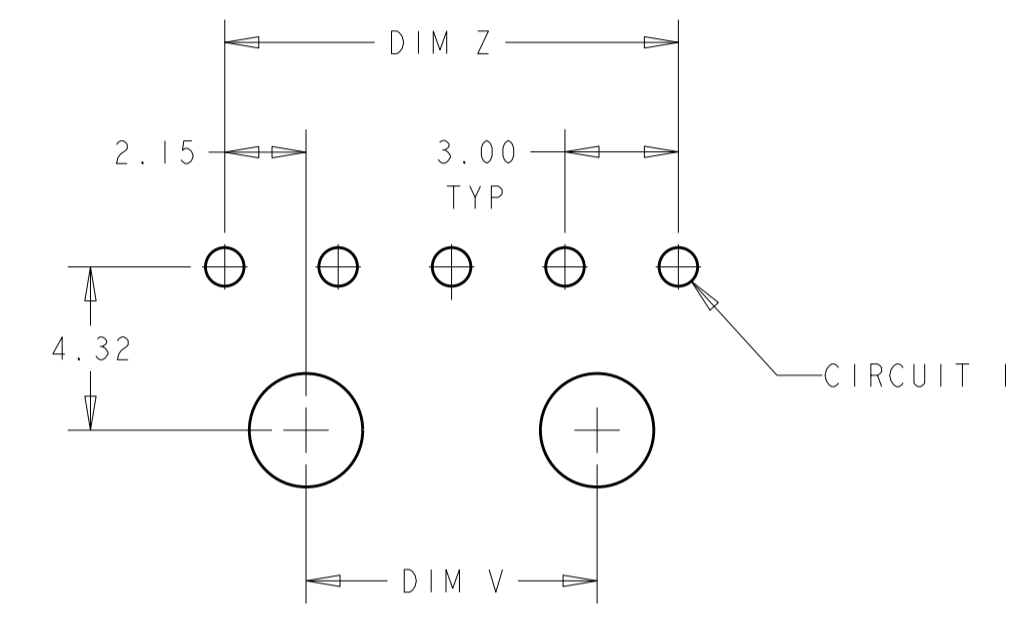
| LOC | DIST | REVISIONS | | | | |
|-----|------|-------------|-------------|-----|------|--|
| P | LTR | DESCRIPTION | DATE | DWN | APVD | |
| CM | 00 | - | SEE SHEET 1 | - | - | |
| | | | | | | |
| | | | | | | |



PCB LAYOUT FOR 2 POSITION \triangle
 COMPONENT SIDE



PCB LAYOUT FOR 3 POSITION \triangle
 COMPONENT SIDE



PCB LAYOUT FOR 4-12 POSITION \triangle
 COMPONENT SIDE



| | | | | |
|---|--|-----------------------------------|---|------------------------|
| THIS DRAWING IS A CONTROLLED DOCUMENT. | | DWN J. ROOT 09OCT2000 | TE Connectivity | |
| DIMENSIONS: mm | | CHK K. WHITAKER 17-APR-2001 | | |
| TOLERANCES UNLESS OTHERWISE SPECIFIED: | | APVD C. JONES 17-APR-2001 | NAME RIGHT ANGLE THRU HOLE HEADER ASSY, 0.38 MIC GOLD CONTACTS, WITH PLASTIC HOLDDOWNS, SGL ROW, MICRO MATE-N-LOK™ | |
| 0 PLC ± 1 PLC ± 2 PLC ±0.13 3 PLC ± 4 PLC ± ANGLES ± FINISH ± | | PRODUCT SPEC - | SIZE A200779 | CAGE CODE C-1445089 |
| MATERIAL \triangle | | APPLICATION SPEC - | DRAWING NO - | |
| SEE TABLE - | | WEIGHT - | RESTRICTED TO - | |
| | | CUSTOMER DRAWING | SCALE 5:1 | SHEET 2 OF 2 |
| | | | REV A1 | |