



Chipsmall Limited consists of a professional team with an average of over 10 year of expertise in the distribution of electronic components. Based in Hongkong, we have already established firm and mutual-benefit business relationships with customers from,Europe,America and south Asia,supplying obsolete and hard-to-find components to meet their specific needs.

With the principle of “Quality Parts,Customers Priority,Honest Operation,and Considerate Service”,our business mainly focus on the distribution of electronic components. Line cards we deal with include Microchip,ALPS,ROHM,Xilinx,Pulse,ON,Everlight and Freescale. Main products comprise IC,Modules,Potentiometer,IC Socket,Relay,Connector.Our parts cover such applications as commercial,industrial, and automotives areas.

We are looking forward to setting up business relationship with you and hope to provide you with the best service and solution. Let us make a better world for our industry!



Contact us

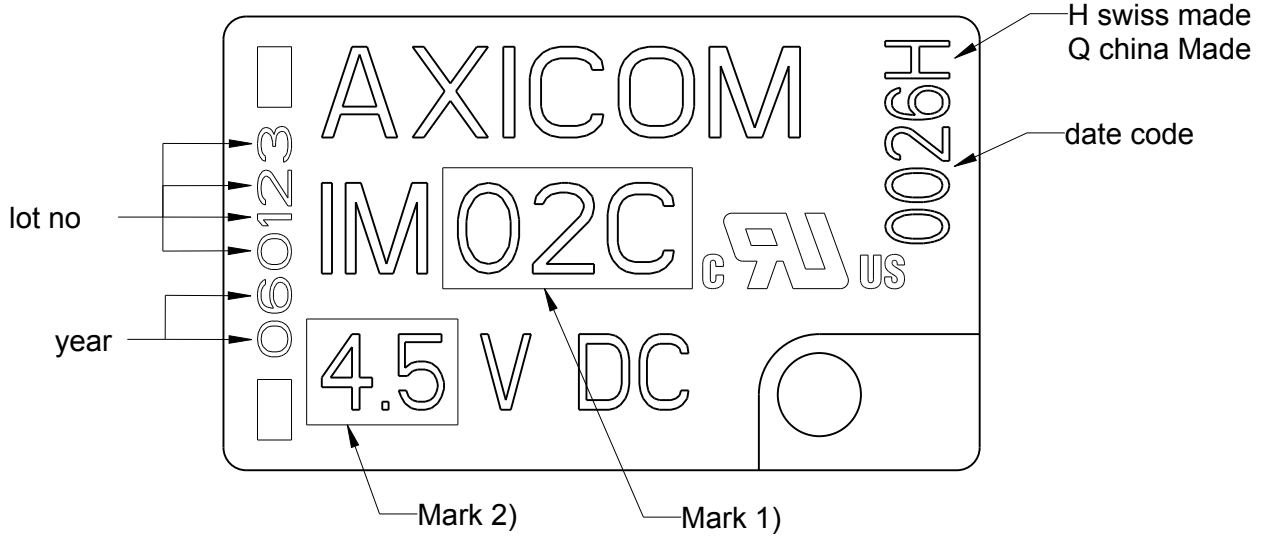
Tel: +86-755-8981 8866 Fax: +86-755-8427 6832

Email & Skype: info@chipsmall.com Web: www.chipsmall.com

Address: A1208, Overseas Decoration Building, #122 Zhenhua RD., Futian, Shenzhen, China



LOC	DIST	REVISIONS					
		P	LTR	DESCRIPTION	DATE	DWN	APVD
HJ	-		B11	New IM41X, IMF61, IMB41C, IMB42C	20JUL2010	UKo	JB
			B12	New IM46CGR, IMF68HR	19OCT2011	UKo	JB
			B13	ECR-12-014500 (IMD obsolete)	18DEC2012	UKo	AK
			B14	ECR-12-021486 (Marking C to Q)	20DEC2012	UKo	JB


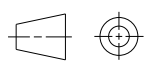


Relay-Typ	Mark 1)	Mark 2)	PN (GR)	PN (JR)	PN (TS)	PN (KS/NS)
IM00..	00	1.5	3-1462037-7	3-1462037-9	3-1462037-5	
IM00NS	00N	1.5				1-1462038-0
IM01..	01	3	1462037-1	4-1462037-0	1462037-4	
IM01..L	01	3			*4-1462039-4	
IM01B..	01B	3	<input type="checkbox"/> 4-1462039-5			
IM01C..	01C	3	1462038-4		9-1462038-6	
IM01NS	01N	3				1-1462038-1
IM01N..L	01N	3				4-1462039-3
IM02..	02	4.5	1462037-9	1-1462037-1	1-1462037-3	6-1462039-4
IM02..L	02	4.5	2-1462039-3			
IM02C..	02C	4.5	1462038-1			
IM02D..	02D	4.5	9-1462038-8			
IM02H..	02H	4.5	1-1462039-1			
IM02NS	02N	4.5				1-1462038-2
IM02NS..L	02N	4.5				2-1462039-4
IM02P..	02P	4.5	5-1462039-4			

*obsolete

7-1462039-1 (2nd PN)

DRAWING ALIAS: IM0C-DOK17


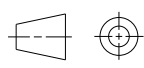
DIMENSIONS: mm	DWN HD 9121	21FEB2003	MATERIAL	-	FINISH	-				
	CHK HD 9121	21FEB2003	 TE Connectivity							
TOLERANCES UNLESS OTHERWISE SPECIFIED: DIN 7168-m	APVD HD 9121	21FEB2003					NAME IM-Relay Marking			
	PRODUCT SPEC	-	SIZE	A4	CAGE CODE	C-00779	DRAWING NO	C-1462037-1	RESTRICTED TO	-
0 PLC ±-	1 PLC ±-	2 PLC ±-	3 PLC ±-	4 PLC ±-	ANGLES ±-	APPLICATION SPEC: - WEIGHT: -				
			CUSTOMER DRAWING		SCALE	10:1	SHEET	1 OF 6	REV	B14

LOC HJ	DIST -	REVISIONS					
		P	LTR	DESCRIPTION	DATE	DWN	APVD
				See sheet 1			

Relay-Typ	Mark 1)	Mark 2)	PN (GR)	PN (JR)	PN (TS)	PN (KS/NS)
IM02PNS	02P	4.5				5-1462039-8
IM03..	03	5	1-1462037-4	1-1462037-6	1-1462037-8	6-1462039-2
IM03..L	03	5	2-1462039-5			
IM03C..	03C	5	1462038-2		4-1462039-7	
IM03D..	03D	5	9-1462038-9	3-1462039-3		
IM03NS	03N	5				1-1462038-3
IM03P..	03P	5	5-1462039-5			
IM03PNS	03P	5				5-1462039-9
IM04..	04	6	4-1462037-2	4-1462037-4	4-1462037-1	
IM04B..	04B	6	6-1462039-5			
IM04NS	04N	6				1-1462038-4
IM05..	05	9	3-1462037-4	4-1462037-5	2-1462037-2	
IM05B..	05B	9	5-1462039-3			
IM05C..	05C	9	1462038-3			
IM05D..	05D	9	1-1462039-7			
IM05NS	05N	9				1-1462038-5
IM06..	06	12	2-1462037-3	4-1462037-6	2-1462037-7	
IM06..L	06	12	5-1462039-1	4-1462039-0		
IM06C..	06C	12	9-1462037-9	3-1462039-4	4-1462037-9	
IM06D..	06D	12	1-1462039-8	7-1462039-0	3-1462039-8	
IM06I..	06I	12	1462047-2			
IM06NS	06N	12				1-1462038-6
IM06NSL	06N	12				4-1462039-9
IM06P..	06P	12	5-1462039-6			
IM06PNS	06P	12				6-1462039-0
IM07..	07	24	4-1462037-7	4-1462037-8	3-1462037-0	
IM07C..	07C	24	1462039-2		1462039-1	
IM07D..	07D	24	3-1462039-7	7-1462039-4		
IM07NS	07N	24				1-1462038-7

2000
 RELEASED FOR PUBLICATION
 ALL RIGHTS RESERVED.
 THIS DRAWING IS UNPUBLISHED.
 COPYRIGHT © 2000

DRAWING ALIAS: **IM0C-DOK17**

DIMENSIONS: mm	DWN HD 9121	21FEB2003	MATERIAL	-	FINISH	-
	CHK HD 9121	21FEB2003	 TE Connectivity			
TOLERANCES UNLESS OTHERWISE SPECIFIED: DIN 7168-m	APVD HD 9121	21FEB2003				
0 PLC ±-	PRODUCT SPEC	-	IM-Relay Marking			
1 PLC ±-	APPLICATION SPEC	-				
2 PLC ±-	WEIGHT	-	SIZE	CAGE CODE	DRAWING NO	RESTRICTED TO
3 PLC ±-			A4	00779	C - 1462037-1	-
4 PLC ±-			CUSTOMER DRAWING			
ANGLES ±-			SCALE	10:1	SHEET	2 OF 6
					REV	B14

LOC HJ	DIST -	REVISIONS					
		P	LTR	DESCRIPTION	DATE	DWN	APVD
				See sheet 1			

2000

RELEASED FOR PUBLICATION


THIS DRAWING IS UNPUBLISHED.

ALL RIGHTS RESERVED.

© COPYRIGHT 2000

Relay-Typ	Mark 1)	Mark 2)	PN (GR)	PN (JR)	PN (TS)	PN (KS/NS)
IM08..	08	2.4	6-1462039-3			
IM11..	11	3	9-1462038-5			
IM12..	12	4.5	1462039-3			
IM13..	13	5	1462039-4			
IM16..	16	12	1462039-5			
IM17..	17	24	1462039-6		4-1462039-6	
IM17C..	17C	24	1462039-7			
IM21..	21	3	2-1462039-6		1-1462039-5	
IM22..	22	4.5	2-1462039-7		2-1462039-8	
IM22D..	22D	4.5			7-1462039-6	
IM23..	23	5	2-1462039-9		3-1462039-0	
IM25..	25	9	3-1462039-5		3-1462039-6	
IM26..	26	12	3-1462039-1		3-1462039-2	
IM32H..	32H	4.5	2-1462039-0			
IM33H..	33H	5	2-1462039-1			
IM40..	40	1.5	5-1462037-1	5-1462037-2	5-1462037-0	
IM40NS	40N	1.5				1-1462038-8
IM41..	41	3	5-1462037-4	5-1462037-5	5-1462037-3	
IM41C..	41C	3	4-1462039-2			
IM41NS	41N	3				1-1462038-9
IM41X..	(42)41	(4.5)3	5-1462037-X			
IM42..	42	4.5	3-1462037-1	5-1462037-7	5-1462037-6	
IM42C..	42C	4.5	4-1462039-1			
IM42D..	42D	4.5	1-1462039-9			
IM42DNS	42D	4.5				1-1462039-6
IM42NS	42N	4.5				2-1462038-0
IM42P..	42P	4.5	5-1462039-7			
IM42PNS	42P	4.5				7-1462039-8
IM42R..	42R	4.5	6-1462039-9			

DRAWING ALIAS: **IM0C-DOK17**

DIMENSIONS: mm	DWN HD 9121	21FEB2003	MATERIAL	FINISH	
	CHK HD 9121	21FEB2003	 TE Connectivity		
TOLERANCES UNLESS OTHERWISE SPECIFIED: DIN 7168-m	APVD HD 9121	21FEB2003			
0 PLC ±-	PRODUCT SPEC	-		IM-Relay Marking	
1 PLC ±-	APPLICATION SPEC	-		SIZE	RESTRICTED TO
2 PLC ±-	WEIGHT	-		A4	-
3 PLC ±-		CAGE CODE	DRAWING NO	00779	C-1462037-1
4 PLC ±-				SCALE	REV
ANGLES ±-		CUSTOMER DRAWING		10:1	B14

LOC HJ	DIST -	REVISIONS					
		P	LTR	DESCRIPTION	DATE	DWN	APVD
				See sheet 1			

Relay-Typ	Mark 1)	Mark 2)	PN (GR)	PN (JR)	PN (TS)	PN (KS/NS)
IM43..	43	5	5-1462037-9	6-1462037-0	5-1462037-8	
IM43C..	43C	5	9-1462038-7			
IM43NS	43N	5				2-1462038-1
IM43P	43P	5	7-1462039-3			
IM44..	44	6	6-1462037-2	6-1462037-3	6-1462037-1	
IM44NS	44N	6				2-1462038-2
IM45..	45	9	6-1462037-4	6-1462037-5	3-1462037-2	
IM45NS	45	9				2-1462038-3
IM46..	46	12	6-1462037-7	6-1462037-8	6-1462037-6	
IM46..L	46	12	5-1462039-2			
IM46C..	46C	12	8-1462039-0			
IM46NS	46N	12				2-1462038-4
IM46NSL	46N	12				5-1462039-0
IM46PNS	46P	12				6-1462039-4
IM47..	47	24	7-1462037-0	7-1462037-1	6-1462037-9	
IM47D..	47D	24		7-1462039-5		
IM47NS	47N	24				2-1462038-5
IM48..	48	2.4	1462039-8			
IM48D..	48D	2.4	1462039-9			
IM48I..	48I	2.4	1462047-1			
IM49D..	49D	2	2-1462039-2			
IM51D..	51D	3	1-1462039-4	1-1462039-3		
IM61..	61	3	7-1462039-7			

2000


RELEASED FOR PUBLICATION

ALL RIGHTS RESERVED.

THIS DRAWING IS UNPUBLISHED.

© COPYRIGHT 2000

DRAWING ALIAS: IM0C-DOK17

DIMENSIONS: mm		DWN HD 9121 21FEB2003	MATERIAL	FINISH	
TOLERANCES UNLESS OTHERWISE SPECIFIED: DIN 7168-m 0 PLC ± 1 PLC ± 2 PLC ± 3 PLC ± 4 PLC ± ANGLES ±		CHK HD 9121 21FEB2003	 TE Connectivity		
		APVD HD 9121 21FEB2003			
		PRODUCT SPEC	NAME		
		APPLICATION SPEC	IM-Relay Marking		
	WEIGHT	SIZE	CAGE CODE	DRAWING NO	RESTRICTED TO
	-	A4	00779	C - 1462037-1	-
CUSTOMER DRAWING			SCALE	SHEET	REV
			10:1	4 OF 6	B14

LOC HJ	DIST -	REVISIONS					
		P	LTR	DESCRIPTION	DATE	DWN	APVD
				See sheet 1			

Relay-Typ	Mark 1)	Mark 2)	PN (GR)	PN (JR)	PN (TS)	PN (KS/NS)
IMA01C	A01C	3	1-1462040-1		1-1462040-5	
IMA02C	A02C	4.5	1-1462040-2		1-1462040-6	
IMA03C	A03C	5	1-1462040-3		1-1462040-7	
IMA06C	A06C	12	1-1462040-4		1-1462040-8	
IMB01C..	B01C	3	1462041-1		1462041-4	
IMB02C..	B02C	4.5	1462041-2		1462041-5	
IMB03C..	B03C	5	1462041-7		1462041-8	
IMB04C..	B04C	6	1462041-9		1-1462041-1	
IMB05C..	B05C	9	1-1462041-0		1-1462041-2	
IMB06C..	B06C	12	1462041-3		1462041-6	
IMB07C..	B07C	24	1-1462041-3		1-1462041-4	
IMB41C..	B41C	3	1-1462041-7			
IMB42C..	B42C	4.5	1-1462041-6		1-1462041-5	
IMC01..	C01	3	1462042-1		1462042-4	
IMC02..	C02	4.5	1462042-2		1462042-5	
IMC03..	C03	5	1462042-8		1462042-7	
IMC06..	C06	12	1462042-3		1462042-6	
IMC07..	C07	24	1-1462042-1		1-1462042-2	
IMC02C..	C02C	4.5	1-1462042-0			
IMC06C..	C06C	12	1462042-9			
IMC41C..	C41C	3			1-1462042-3	

2000


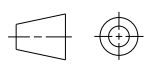
RELEASED FOR PUBLICATION

ALL RIGHTS RESERVED.

© COPYRIGHT 2000

THIS DRAWING IS UNPUBLISHED.

DRAWING ALIAS: **IM0C-DOK17**

DIMENSIONS: mm	DWN HD 9121	21FEB2003	MATERIAL	-	FINISH	-
	CHK HD 9121	21FEB2003	 TE Connectivity			
TOLERANCES UNLESS OTHERWISE SPECIFIED: DIN 7168-m	APVD HD 9121	21FEB2003				
0 PLC ±-	PRODUCT SPEC	-	IM-Relay Marking			
1 PLC ±-	APPLICATION SPEC	-				
2 PLC ±-	WEIGHT	-	SIZE	CAGE CODE	DRAWING NO	RESTRICTED TO
3 PLC ±-			A4	00779	C - 1462037-1	-
4 PLC ±-			CUSTOMER DRAWING			
ANGLES ±-			SCALE	10:1	SHEET	5 OF 6
			REV B14			

LOC HJ	DIST -	REVISIONS					
		P	LTR	DESCRIPTION	DATE	DWN	APVD
				See sheet 1			

2000

RELEASED FOR PUBLICATION

THIS DRAWING IS UNPUBLISHED.

ALL RIGHTS RESERVED.

© COPYRIGHT2000

Relay-Typ	Mark 1)	Mark 2)	PN (GR)	PN (JR)	PN (TS)	PN (KS/NS)
IMD01..	D01	3	*1462044-1		*1462044-5	
IMD02..	D02	4.5	*1462044-2		*1462044-6	
IMD03..	D03	5	*1462044-3		*1462044-7	
IMD06..	D06	12	*1462044-4		*1462044-8	
IME01..	E01	3	1462043-1		1462043-5	
IME02..	E02	4.5	1462043-2		1462043-6	
IME03..	E03	5	1462043-3		1462043-7	
IME06..	E06	12	1462043-4		1462043-8	
IMF61..	F61	3	1462048-3			
IMF68..	F68	2.4	1-1462048-0			
IMV03..	V03	5			1462045-3	
IMV06..	V06	12	1462045-4			

***obsolete**

DRAWING ALIAS: **IM0C-DOK17**

DIMENSIONS: mm	DWN HD 9121 21FEB2003	MATERIAL -	FINISH -	
TOLERANCES UNLESS OTHERWISE SPECIFIED: DIN 7168-m	CHK HD 9121 21FEB2003	 TE Connectivity		
	APVD HD 9121 21FEB2003			
	PRODUCT SPEC -			NAME <h2 style="margin: 0;">IM-Relay Marking</h2>
	APPLICATION SPEC -	SIZE A4	CAGE CODE 00779	DRAWING NO C-1462037-1
0 PLC ±- 1 PLC ±- 2 PLC ±- 3 PLC ±- 4 PLC ±- ANGLES ±-	WEIGHT -	CUSTOMER DRAWING		
		SCALE 10:1	SHEET 6 OF 6	REV B14