



Chipsmall Limited consists of a professional team with an average of over 10 year of expertise in the distribution of electronic components. Based in Hongkong, we have already established firm and mutual-benefit business relationships with customers from,Europe,America and south Asia,supplying obsolete and hard-to-find components to meet their specific needs.

With the principle of “Quality Parts,Customers Priority,Honest Operation,and Considerate Service”,our business mainly focus on the distribution of electronic components. Line cards we deal with include Microchip,ALPS,ROHM,Xilinx,Pulse,ON,Everlight and Freescale. Main products comprise IC,Modules,Potentiometer,IC Socket,Relay,Connector.Our parts cover such applications as commercial,industrial, and automotives areas.

We are looking forward to setting up business relationship with you and hope to provide you with the best service and solution. Let us make a better world for our industry!



Contact us

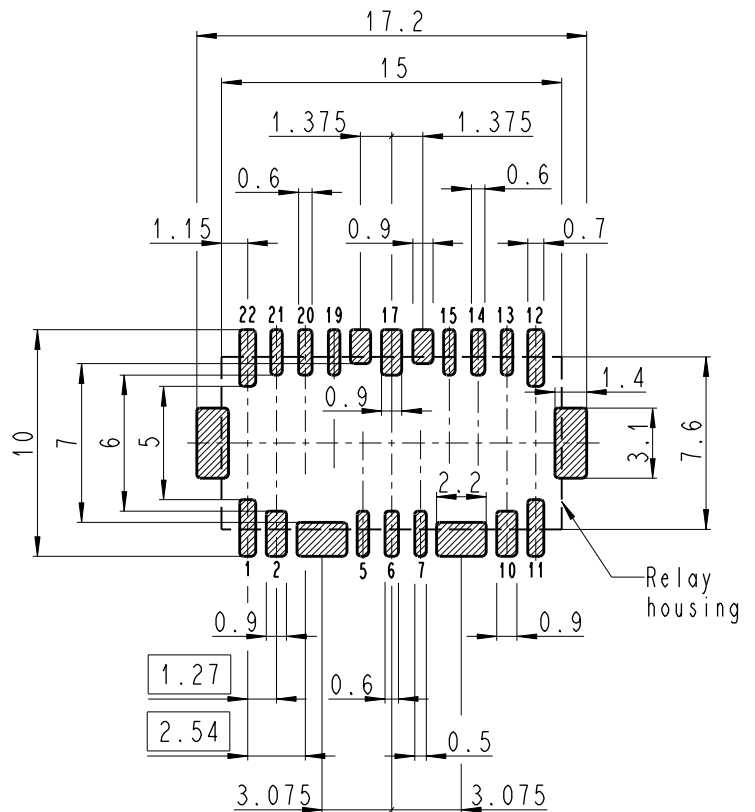
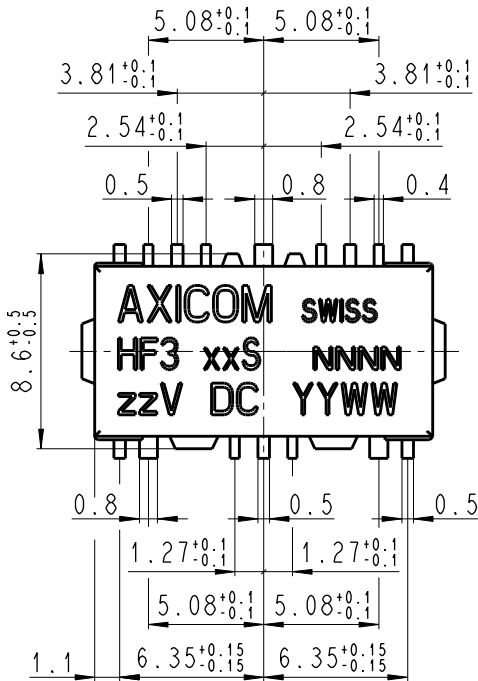
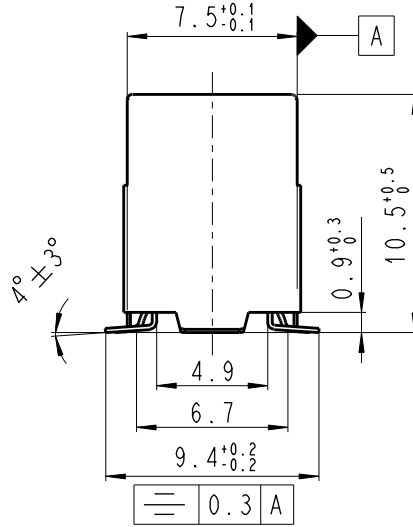
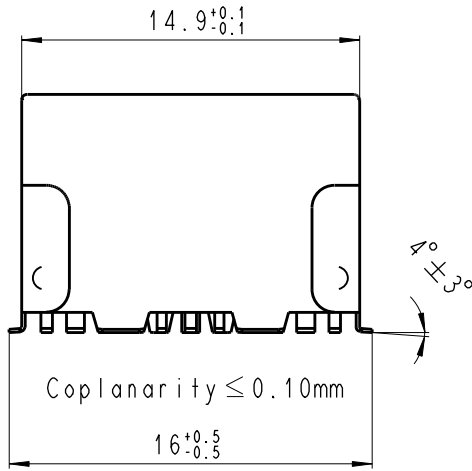
Tel: +86-755-8981 8866 Fax: +86-755-8427 6832

Email & Skype: info@chipsmall.com Web: www.chipsmall.com

Address: A1208, Overseas Decoration Building, #122 Zhenhua RD., Futian, Shenzhen, China



LOC	DIST	REVISIONS					
		P	LTR	DESCRIPTION	DATE	DWN	APVD
HJ	-		C	New Coplanarity	21JUL2009	UKo	HD
			D	New metal cover	23SEP2009	UKo	HD
			E	New Coplanarity, Solder Pad Layout	15JAN2010	UKo	HD
			F	Printing	09JUL2010	UKo	HD



XX = Relay type
zz = nominal voltage
YYWW = Date code
NNNN = Lot number

DRAWING ALIAS

DIMENSIONS: mm	DWN	UKo 9193	06Nov2006	MATERIAL	-	FINISH	-
	CHK	HD 9121	06Nov2006	Tyco Electronics Tyco Electronics Logistics AG Werk Axicom Au, CH-8804 Au ZH			
TOLERANCES UNLESS OTHERWISE SPECIFIED: DIN 7168-m	APVD	HD 9121	06Nov2006				
	PRODUCT SPEC	-	-	SIZE	CAGE CODE	DRAWING NO	RESTRICTED TO
0 PLC ±-	1 PLC ±-	2 PLC ±-	3 PLC ±-	4 PLC ±-	ANGLES ±1°	WEIGHT -	-
CUSTOMER DRAWING				SCALE	3:1	SHEET	1 OF 1
				REV	F		

2006

RELEASED FOR PUBLICATION

THIS DRAWING IS UNPUBLISHED.

© COPYRIGHT 2006 BY TYCO ELECTRONICS CORPORATION. ALL RIGHTS RESERVED.