



Chipsmall Limited consists of a professional team with an average of over 10 year of expertise in the distribution of electronic components. Based in Hongkong, we have already established firm and mutual-benefit business relationships with customers from,Europe,America and south Asia,supplying obsolete and hard-to-find components to meet their specific needs.

With the principle of “Quality Parts,Customers Priority,Honest Operation,and Considerate Service”,our business mainly focus on the distribution of electronic components. Line cards we deal with include Microchip,ALPS,ROHM,Xilinx,Pulse,ON,Everlight and Freescale. Main products comprise IC,Modules,Potentiometer,IC Socket,Relay,Connector.Our parts cover such applications as commercial,industrial, and automotives areas.

We are looking forward to setting up business relationship with you and hope to provide you with the best service and solution. Let us make a better world for our industry!



Contact us

Tel: +86-755-8981 8866 Fax: +86-755-8427 6832

Email & Skype: info@chipsmall.com Web: www.chipsmall.com

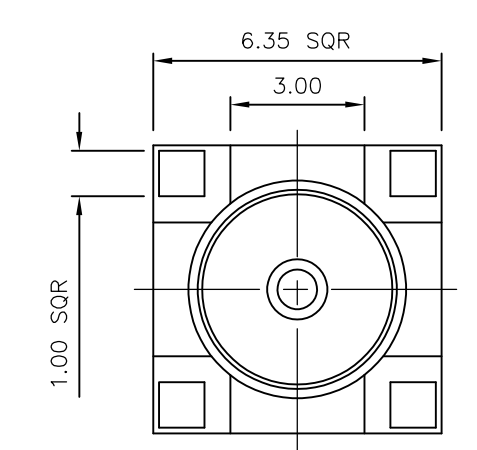
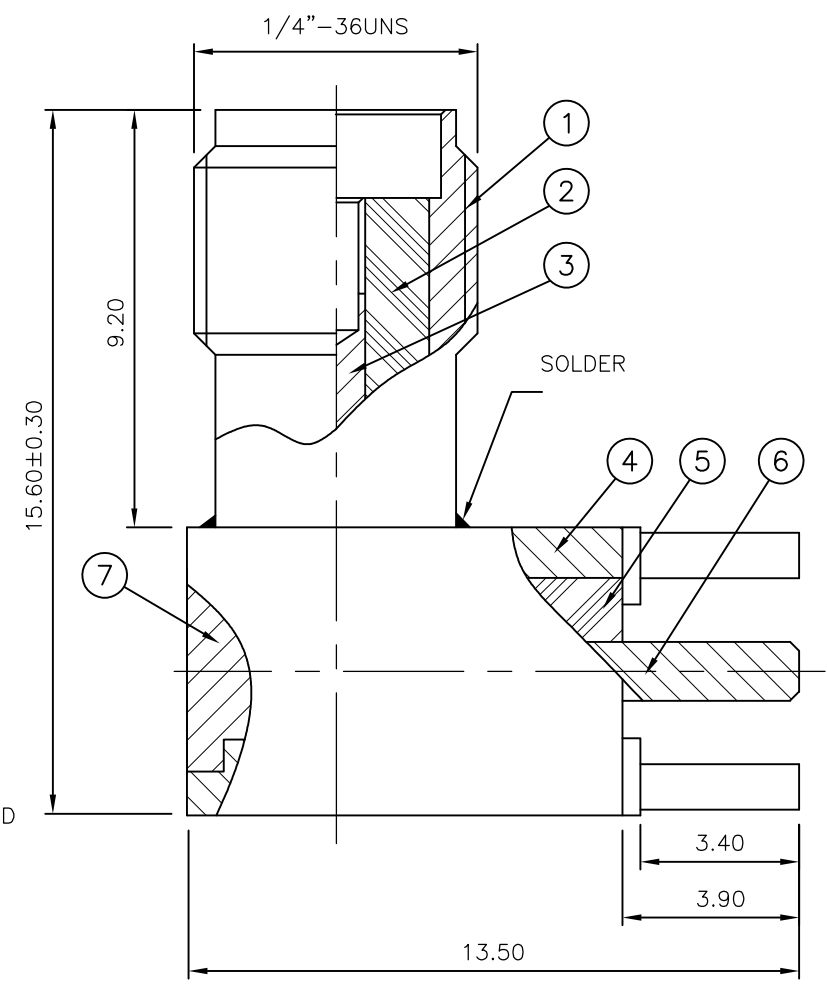
Address: A1208, Overseas Decoration Building, #122 Zhenhua RD., Futian, Shenzhen, China



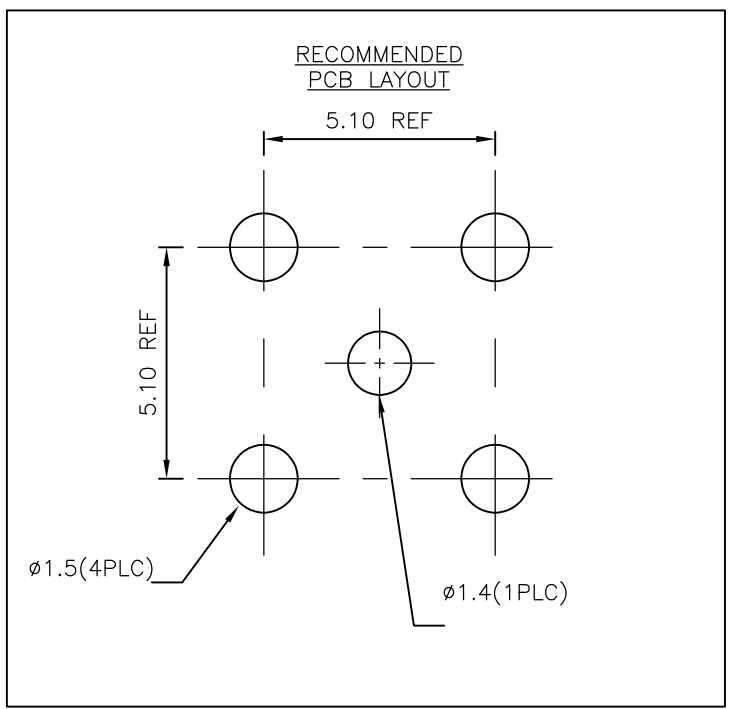
THIS DRAWING IS UNPUBLISHED. RELEASED FOR PUBLICATION DEC ,2003.
 © COPYRIGHT 2003 By - ALL RIGHTS RESERVED.

LOC	DIST	REVISIONS			
P	LTR	DESCRIPTION	DATE	DWN	APVD
E	B	C1	REVISED PER ECO-11-005033	31MAR11	RK HMR
		C2	ECO-11-013090	24JUN2011	TITAN MARTIN

- NOTES:**
1. SINGLE PACK IN ACCORDANCE WITH SPEC 107-3275
 2. 30 BULK PACK IN ACCORDANCE WITH SPEC 107-3275
 3. 0.08µm GOLD PLATING
 4. 0.76µm GOLD PLATING
 5. ELECTRICAL CHARACTERISTICS
 FREQUENCY RANGE:
 STAINLESS STEEL: DC-12.4GHz
 BRASS: DC-6GHz
 NOMINAL IMPEDANCE: 50 OHMS
 INSULATION RESISTANCE: 5000 MOHMS
 WORKING VOLTAGE: 500 VOLTS MAX.
 DIELECTRIC WITHSTAND VOLTAGE: 1000 VOLTS MAX.
 VSWR: 1.23 MAX.
 RETURN LOSS: DC..6GHz<=-19.73dB
 INSERTION LOSS: 0.1 dB MAX. @3 GHz
 CONTACT RESISTANCE: 3 mOHMS
 CENTRE CONTACT: 2 mOHMS
 OUTER CONTACT:
 6. MECHANICAL CHARACTERISTICS
 DURABILITY: 500 CYCLES
 TORQUE SETTING 0.15-0.20 NM
 7. ENVIRONMENTAL
 OPERATING TEMPERATURE: -65~+165'
 8. FOR TECHNICAL DATA REFER TO YOUR LOCAL TE CONNECTIVITY SALES OFFICE
 9. ALL DIMENSIONS ARE NOMINAL FOR REFERENCE ONLY UNLESS OTHERWISE STATED



QTY	1	1	-	-	MATERIAL	DESCRIPTION	ITEM
	1	1	-	-	BRASS	ACCESS CAP	7
	-	-	1	1	STAINLESS STEEL	ACCESS CAP	7
	-	1	1	1	BRASS	PIN	6
	1	-	-	-	BRASS	PIN	6
	1	-	-	-	DELTRIN	INSULATOR	5
	-	1	1	1	PTFE	INSULATOR	5
	1	1	-	-	BRASS	BODY	4
	-	-	1	1	STAINLESS STEEL	BODY	4
	-	1	1	1	BERYLLIUM COPPER	SOCKET	3
	1	-	-	-	PHOSPHER BRONZE	SOCKET	3
	1	-	-	-	DELTRIN	INSULATOR	2
	-	1	1	1	PTFE	INSULATOR	2
	1	1	-	-	BRASS	BODY	1
	-	-	1	1	STAINLESS STEEL	BODY	1
	3--1	3--0	1--1	1--0	MATERIAL	DESCRIPTION	ITEM
	△	△	△	△			



THIS DRAWING IS A CONTROLLED DOCUMENT.

DWN J.SANDWELL 09DEC03
 CHK S.PARLOW 09DEC03
 APVD F.WHEELER-KING 09DEC03

STE TE Connectivity

NAME: SMA RIGHT ANGLE PCB SOCKET RECEPTACLE

PRODUCT SPEC: -
 APPLICATION SPEC: -

SIZE: A3 CAGE CODE: 00779 DRAWING NO: C-1478978 RESTRICTED TO: -

MATERIAL: SEE TABLE FINISH: - WEIGHT: -

CUSTOMER DRAWING SCALE: NTS SHEET: 1 OF 1 REV: C2