



Chipsmall Limited consists of a professional team with an average of over 10 year of expertise in the distribution of electronic components. Based in Hongkong, we have already established firm and mutual-benefit business relationships with customers from,Europe,America and south Asia,supplying obsolete and hard-to-find components to meet their specific needs.

With the principle of “Quality Parts,Customers Priority,Honest Operation,and Considerate Service”,our business mainly focus on the distribution of electronic components. Line cards we deal with include Microchip,ALPS,ROHM,Xilinx,Pulse,ON,Everlight and Freescale. Main products comprise IC,Modules,Potentiometer,IC Socket,Relay,Connector.Our parts cover such applications as commercial,industrial, and automotives areas.

We are looking forward to setting up business relationship with you and hope to provide you with the best service and solution. Let us make a better world for our industry!



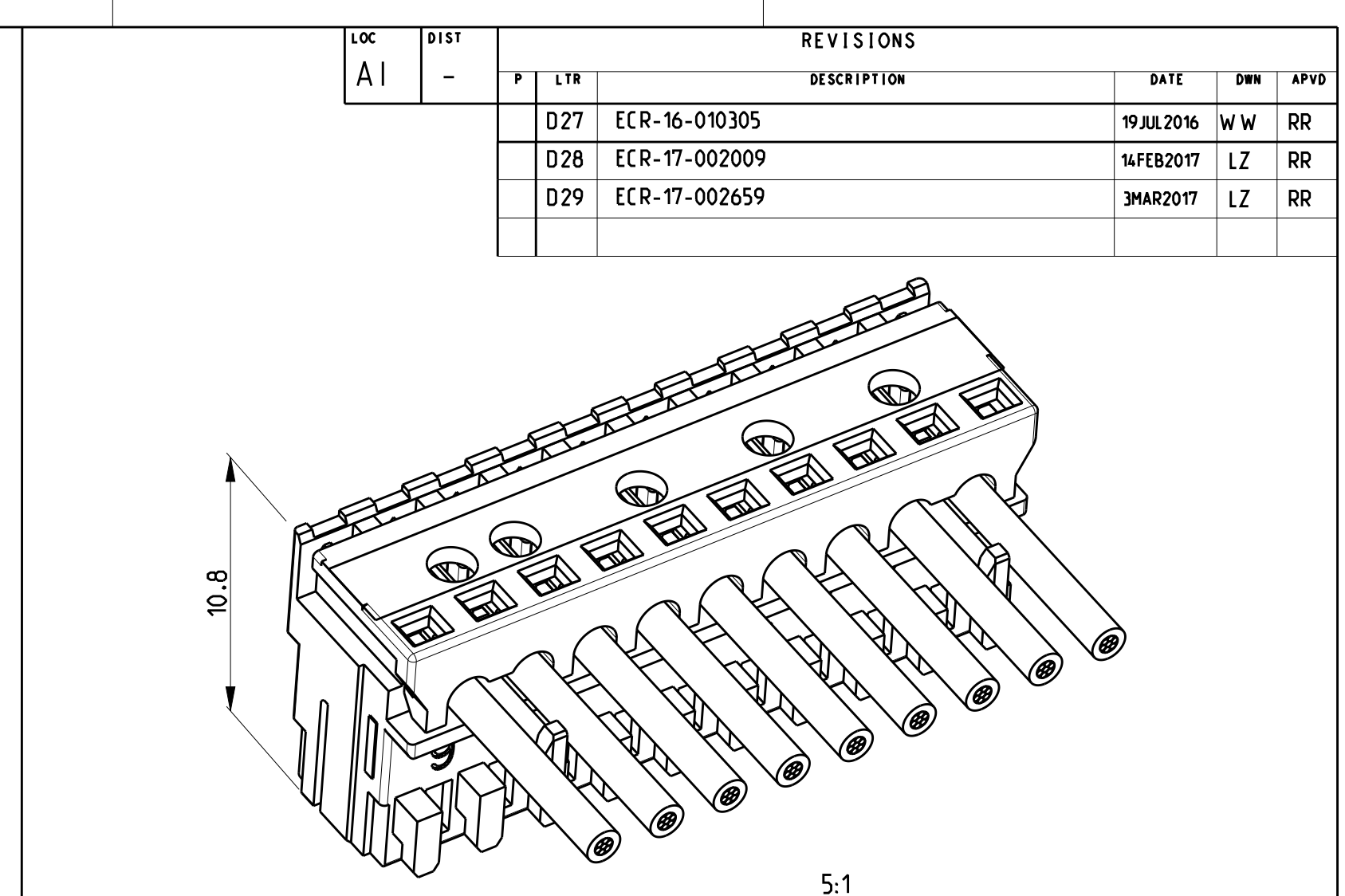
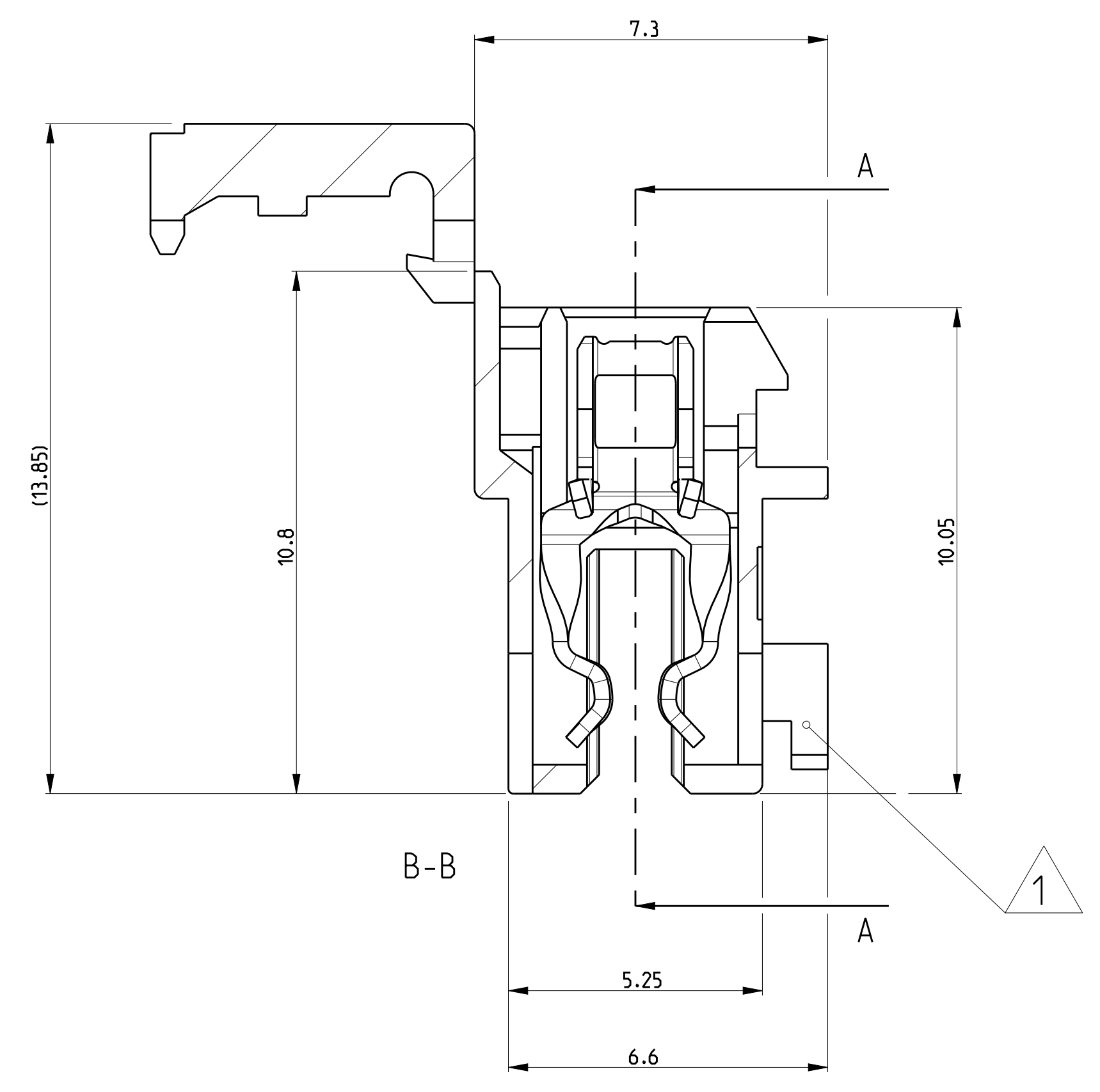
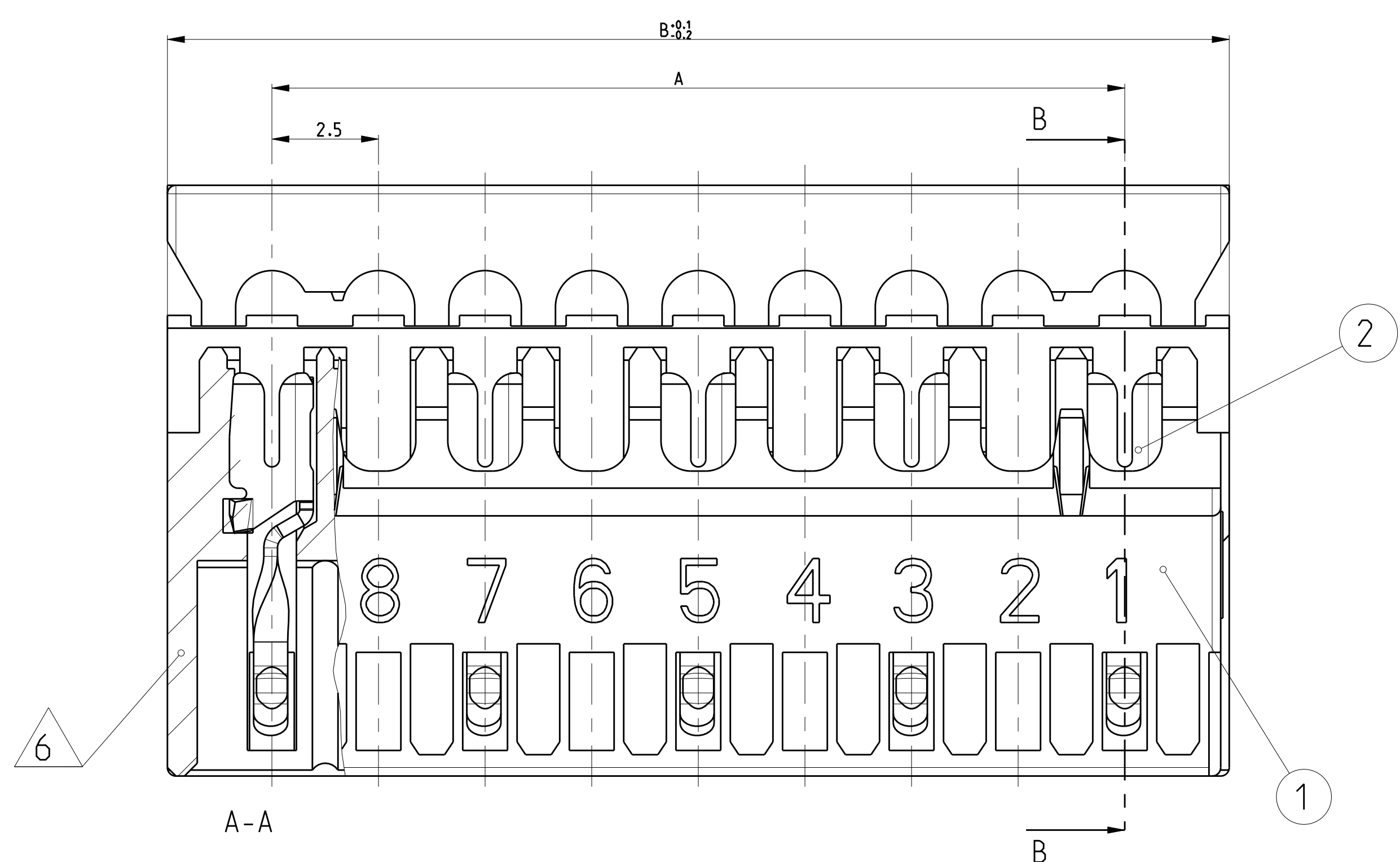
Contact us

Tel: +86-755-8981 8866 Fax: +86-755-8427 6832

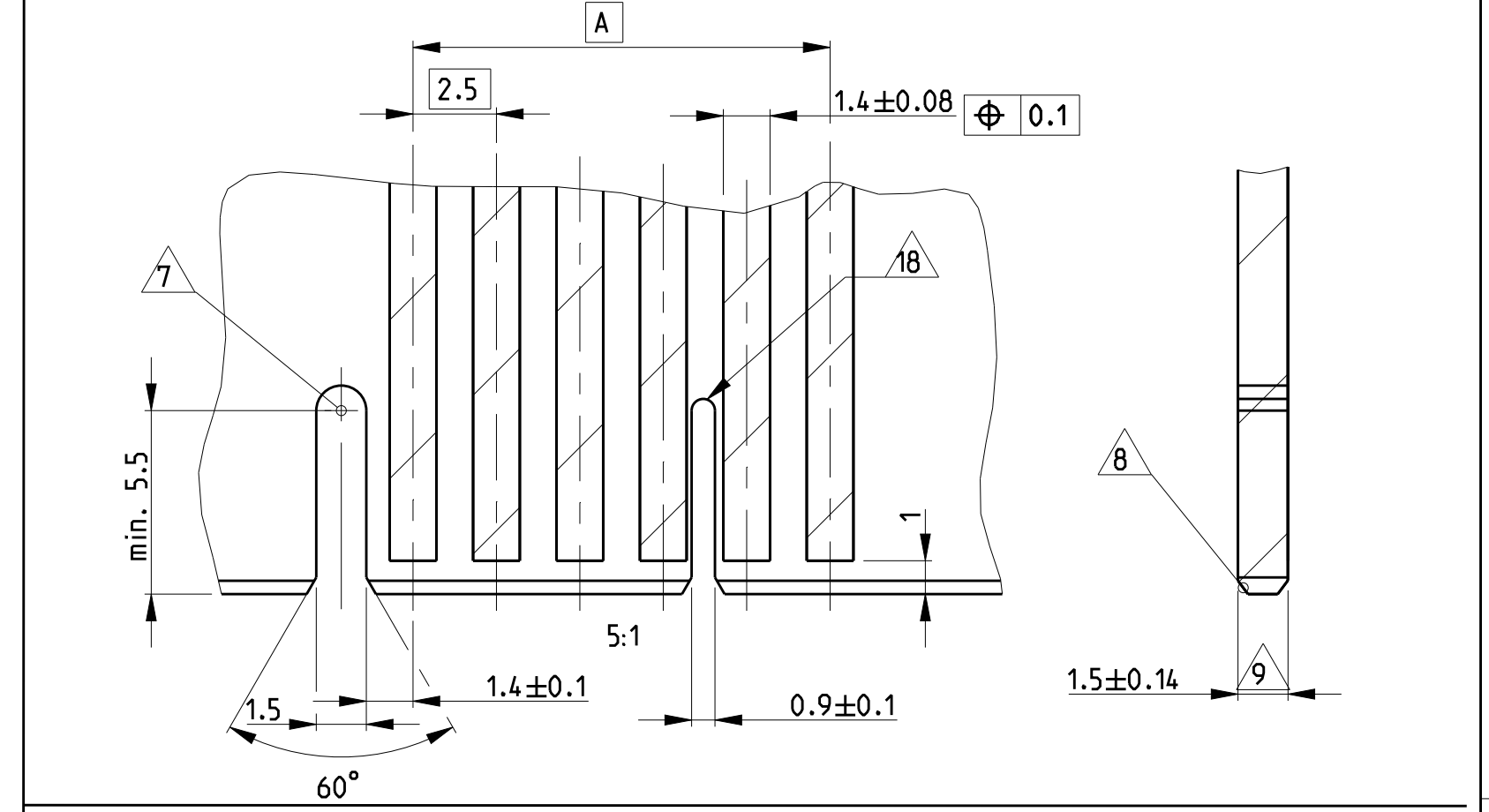
Email & Skype: info@chipsmall.com Web: www.chipsmall.com

Address: A1208, Overseas Decoration Building, #122 Zhenhua RD., Futian, Shenzhen, China

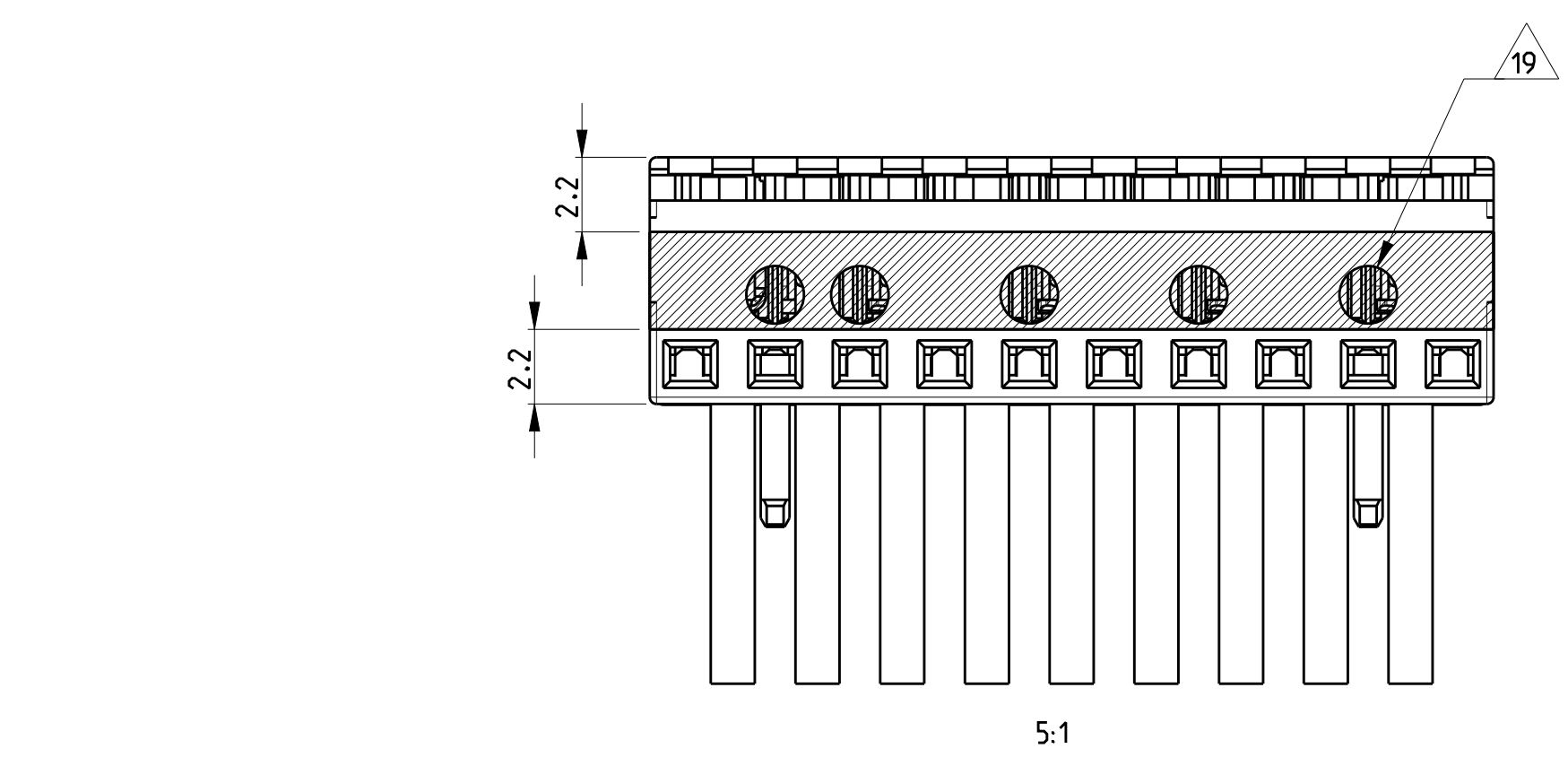
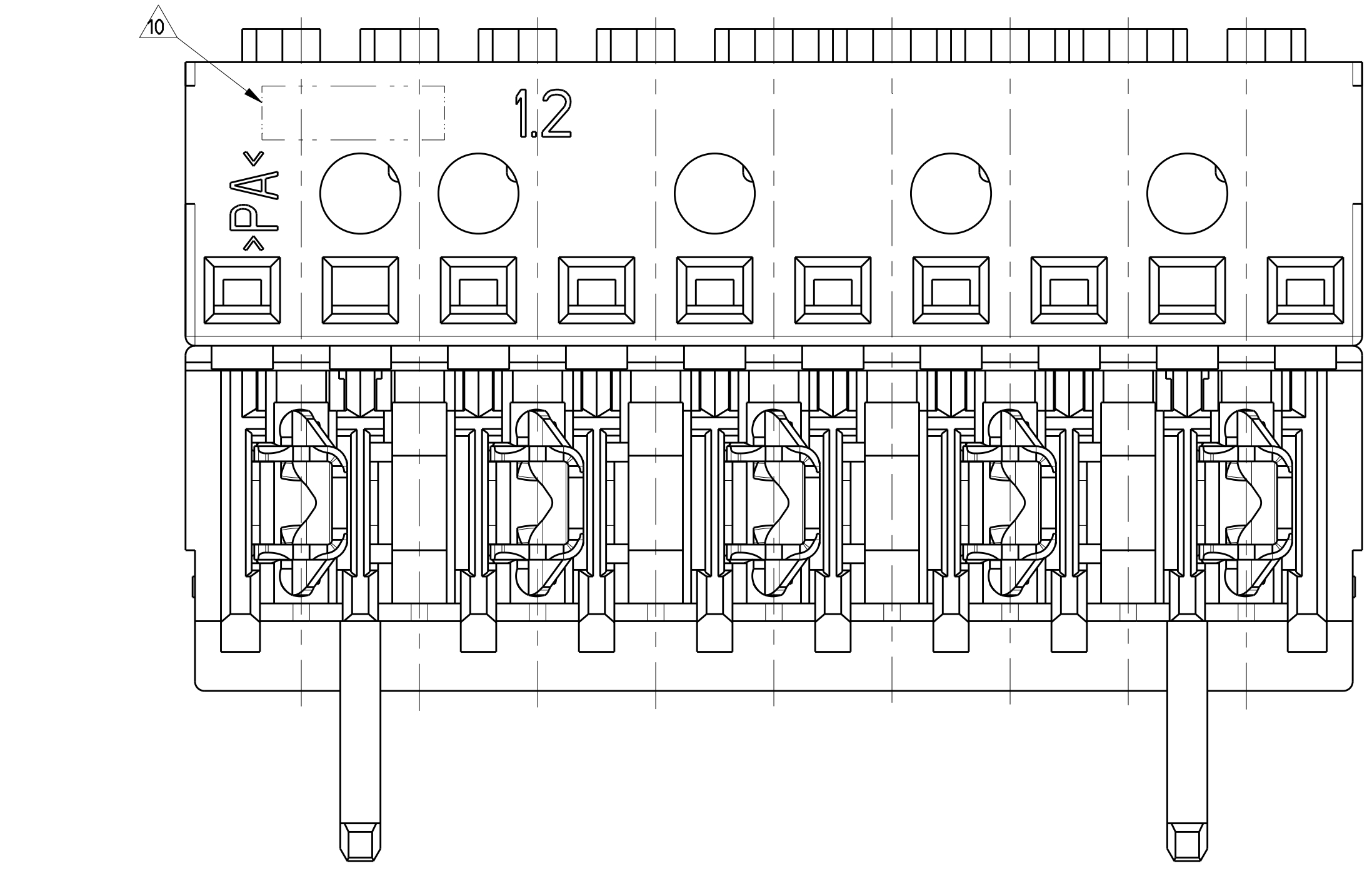
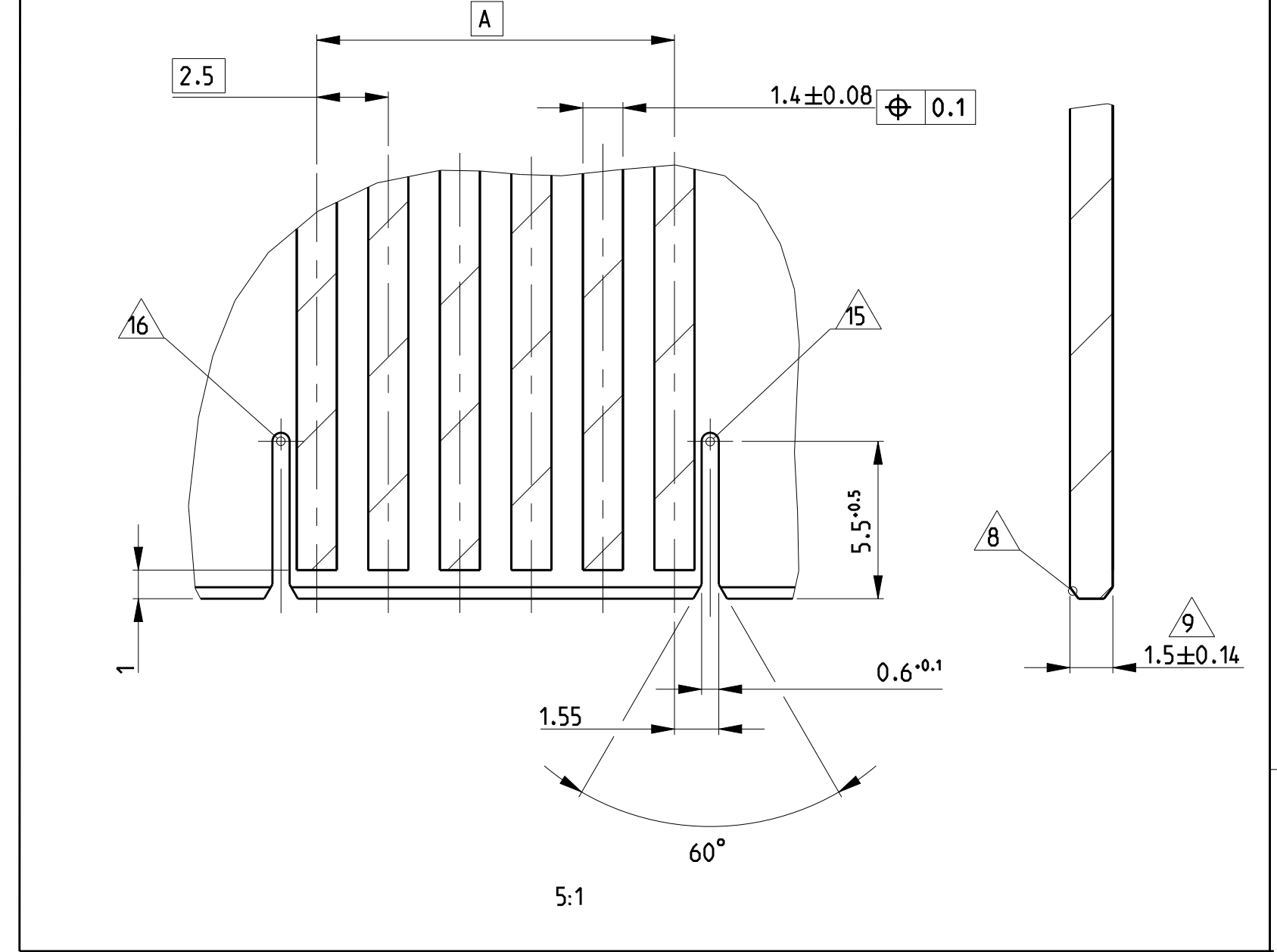




PCB LAYOUT KEYED / CONNECTED ONLY WITH ADDITIONAL FRAME (THICK KEYING)
Leiterplattenanschluss kodiert / nur in Verbindung mit zusätzlichem Rahmen



PCB LAYOUT KEYED / CONNECTED ONLY WITH ADDITIONAL FRAME (SLIM KEYING)
Leiterplattenanschluss kodiert / nur in Verbindung mit zusätzlichem Rahmen



- 25 SIDE KEYING ON LAST CAVITY THICKNESS=1.5mm
- 24 SIDE KEYING ON CAVITY 1 THICKNESS=1.5mm
- 19 COLOR MARKING IN THIS AREA. COLOR SEE TABLE
- 18 SLOT, THICK, BETWEEN CAVITIES
- 17 KEYING, THICK, BETWEEN POSITION
- 16 SLOT, SLIM, FOR SIDE KEYING, LAST CAVITY
Schlitz,duenn. an letzte Kammer
- 15 SLOT, SLIM, FOR SIDE KEYING, SIDE CAVITY 1
Schlitz,duenn. fuer Seitenkodierung
- 14 SIDE KEYING, SLIM, ON LAST CAVITY
Seitenkodierung, duenn. an letzte Kammer
- 13 SIDE KEYING, SLIM, ON CAVITY 1
Seitenkodierung, duenn. an Kammer 1
- 12 KEYING SLIM BETWEEN POSITIONS
- 11 PRELIMINARY PART NOT RELEASED FOR PRODUCTION
- 10 TE LOGO
- 9 INCLUSIVE COPPER LOADING
Inklusive Kupferkaschierung
- 8 PCB PREFERABLY CHAMFERED
Leiterplatte vorzugsweise angefast
- 7 SLOT, THICK, FOR SIDE KEYING
Schlitz,dick. fuer Seitenkodierung
- 6 SIDE KEYING, THICK, ON LAST CAVITY
Seitenkodierung, dick. an letzte Kammer
- 5 WIRE RANG: 0.22-0.35mm² SEE APPLICATION SPEC. 114-18467
Drahtgroessenbereich: 0.22-0.35mm² siehe Verarbeitungsspec. 114-18467
- 4 IEC 60695-2-11 / IEC 60335-1 GLOW WIRE TEST 750 °C WITHOUT FLAME
IEC 60695-2-11 / IEC 60335-1 Gluehdrahttest 750 °C ohne Flamme
- 3 X..CAVITY LOADED WITH CONTACT
O..CAVITY WITHOUT CONTACT
X..Kammer mit Kontakt bestueckt
O..Kammer ohne Kontakt
- 2 MATING PART: PCB (WITH FRAMES ACC. RAST 2.5 E.G. PN 964 575/576
TABHEADER PN 829 866/867
Passender Gegenstecker: Leiterplatten (mit Rahmen nach RAST 2.5 z.B.
964 575/576) Tabwannen Nr. 829 866/867
- 1 KEYING RIBS: CUTTING WITH TERMINATION MACHINE POSSIBLE
Kodierrippe; Schneiden auf der Verarbeitungsmaschine moeglich

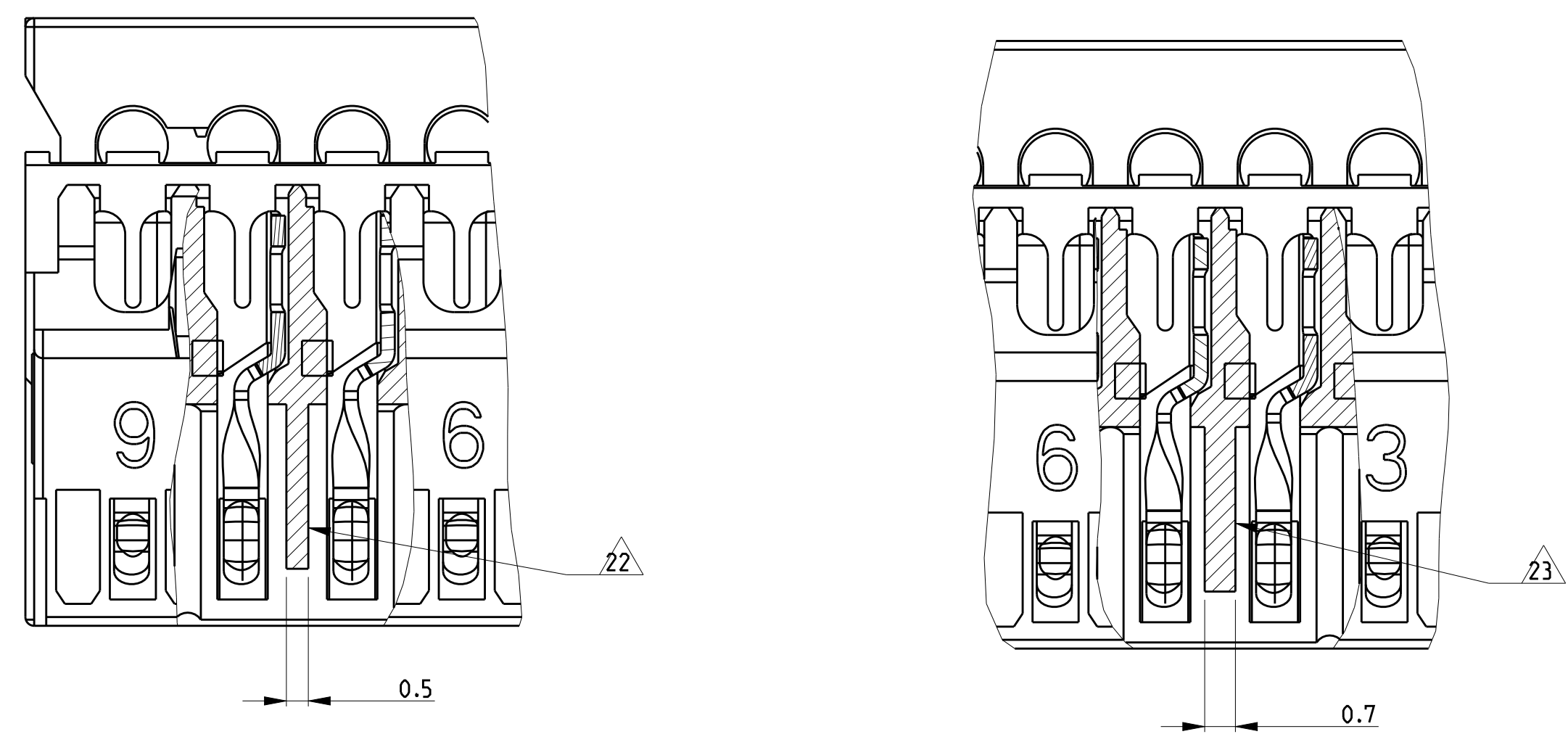
2	SEE TABLE	CONTACT/Kontakt	CuSn	TINNED/verzinkt
1	siehe Tabelle	HOUSING/Federleistengenh.	PA 6 GF UL94-V2	NATUR/Natur
POS.	PN Bestell-Nr.	DESCRIPTION Beschreibung	MATERIAL	COLOUR/FINISH Farbe/Oberflaeche

THIS DRAWING IS A CONTROLLED DOCUMENT.

DIMENSIONS: mm	TOLERANCES UNLESS OTHERWISE SPECIFIED: 0 PLC ±0.2 1 PLC ±0.2 2 PLC ±0.2 3 PLC ±0.2 4 PLC ±0.2 ANGLES FINISH	OWN: H. Karabiyik 24MAY2002 CHK: B. Schnaubel 24MAY2002 APPD: T. Klenner 24MAY2002	NAME: AMP DUOPLUG 2.5 MARK II FEMALE CONNECTOR 3-20 POSITION SELECTIVE LOADED
MATERIAL: -	FINISH: -	PRODUCT SPEC: 108-18785 APPLICATION SPEC: 114-18467 WEIGHT: -	SIZE: A1 CAGE CODE: 00779 DRAWING NO: C=1534798
Customer Drawing		SCALE: 10:1	SHEET 1 OF 3

4805 (3/11)

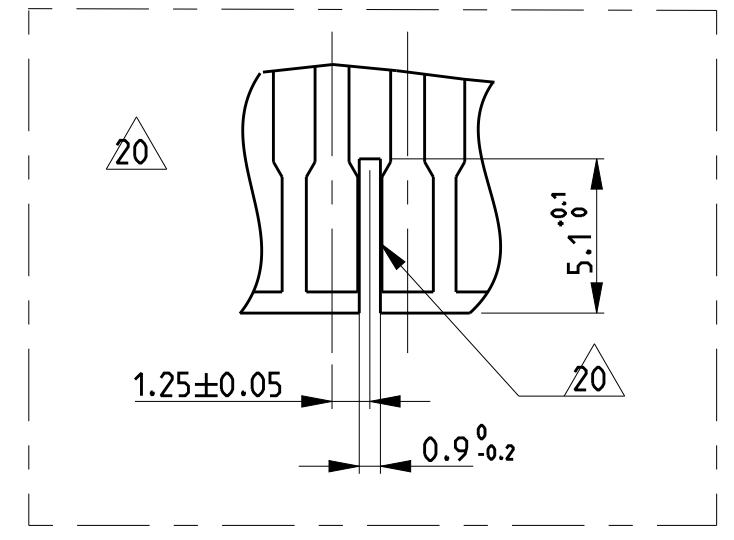
LOC	DIST	REVISIONS					
		P	LTR	DESCRIPTION	DATE	DWN	APVD
-	-	-	-	SEE SHEET 1	-	-	-



KEYING 22

KEYING 23

- 23 KEYING. SPECIAL THICK. BETWEEN POSITION
- 22 KEYING. SPECIAL THIN. BETWEEN POSITION
- 21 SLOT FOR KEYING SPECIAL. BETWEEN POSITION
- 20 RECOMMENDED PCB CUTOFF DIMENSION FOR THE PN X-2304527-Y AND X-2304528-Y



GWT 750C AND UL94 V0 VERSION																																						
Blue										X	0	X	X	X	X	X	X	X	X	13	30	34.9			-	2/3	2304528-3											
Orange											X	0	X	0	X	0	X	0	X	11	25	29.9			-	-	1-2304528-1											
Green											X	0	X	0	X	0	X	0	X						-	-	2304528-1											
												X	0	X	X	0	X	X	0	9	20	24.9			-	2/3	2-2304527-9											
Black											X	X	0	X	0	X	X	0	X						-	2/3	1-2304527-9											
Blue											X	X	X	X	X	0	X	X							-	2/3	2304527-9											
												X	0	X	0	X	0	X										4-2304527-7										
												X	X	X	0	X	X	X							-	2/3	3-2304527-7											
Black												X	X	X	X	0	0	0	X	7	15	19.9			-	2/3	2-2304527-7											
Green												X	0	X	0	X	0	X							-	-	1-2304527-7											
Blue												X	0	X	0	X	0	X							-	-	2304527-7											
Red												X	X	0	X	0	X											6-2304527-6										
Black												X	0	X	X	0	X											5-2304527-6										
Green												X	X	0	X	0	X											4-2304527-6										
													0	0	X	X	X	X										3-2304527-6										
												X	0	X	X	0	X											2-2304527-6										
Blue												X	0	X	0	X	X								-	-	1-2304527-6											
Red												X	0	X	X	0	X								-	-	2304527-6											
Red												X	X	X	0	X												4-2304527-5										
Red												X	0	0	0	X								3/4				3-2304527-5										
												X	0	0	0	X												2-2304527-5										
												X	0	X	0	X												1-2304527-5										
Green												X	0	X	0	X												2304527-5										
Black												X	X	0	0					4	7.5	12.4				-	3/4	2304527-4										
Red												X	0	X											2/3			8-2304527-3										
Red												X	0	X											1/2			7-2304527-3										
												X	0	X											2/3			6-2304527-3										
Blue												X	0	X														5-2304527-3										
												X	0	X														4-2304527-3										
Black												X	0	X												1/2	-	3-2304527-3										
Red												X	0	X											2/3	-	2-2304527-3											
Brown												X	0	X												-	-	1-2304527-3										
Orange												X	0	X												-	-	2304527-3										
Color Code	20	19	18	17	16	15	14	13	12	11	10	9	8	7	6	5	4	3	2	1	POS. Polzahl	DIM A	DIM B	22	23	24	25	PN Bestell-Nr.										
	KAMMERBESTUECKUNG (CAVITIES LOADED) 23																																					

THIS DRAWING IS A CONTROLLED DOCUMENT. DWN H. Karabiyik 24MAY2002
 CHK B. Schnaubel 24MAY2002
 APVD T. Klenner 24MAY2002

STE TE Connectivity

NAME AMP DUOPLUG 2.5 MARK II FEMALE CONNECTOR 3-20 POSITION SELECTIVE LOADED

PRODUCT SPEC 108-18785 APPLICATION SPEC 116-18467

SIZE CAGE CODE DRAWING NO A1 00779 C-1534798

RESTRICTED TO -

Customer Drawing SCALE 10:1 SHEET 3 OF 3 REV 029