



Chipsmall Limited consists of a professional team with an average of over 10 year of expertise in the distribution of electronic components. Based in Hongkong, we have already established firm and mutual-benefit business relationships with customers from,Europe,America and south Asia,supplying obsolete and hard-to-find components to meet their specific needs.

With the principle of "Quality Parts,Customers Priority,Honest Operation,and Considerate Service",our business mainly focus on the distribution of electronic components. Line cards we deal with include Microchip,ALPS,ROHM,Xilinx,Pulse,ON,Everlight and Freescale. Main products comprise IC,Modules,Potentiometer,IC Socket,Relay,Connector.Our parts cover such applications as commercial,industrial, and automotives areas.

We are looking forward to setting up business relationship with you and hope to provide you with the best service and solution. Let us make a better world for our industry!



## Contact us

Tel: +86-755-8981 8866 Fax: +86-755-8427 6832

Email & Skype: info@chipsmall.com Web: www.chipsmall.com

Address: A1208, Overseas Decoration Building, #122 Zhenhua RD., Futian, Shenzhen, China



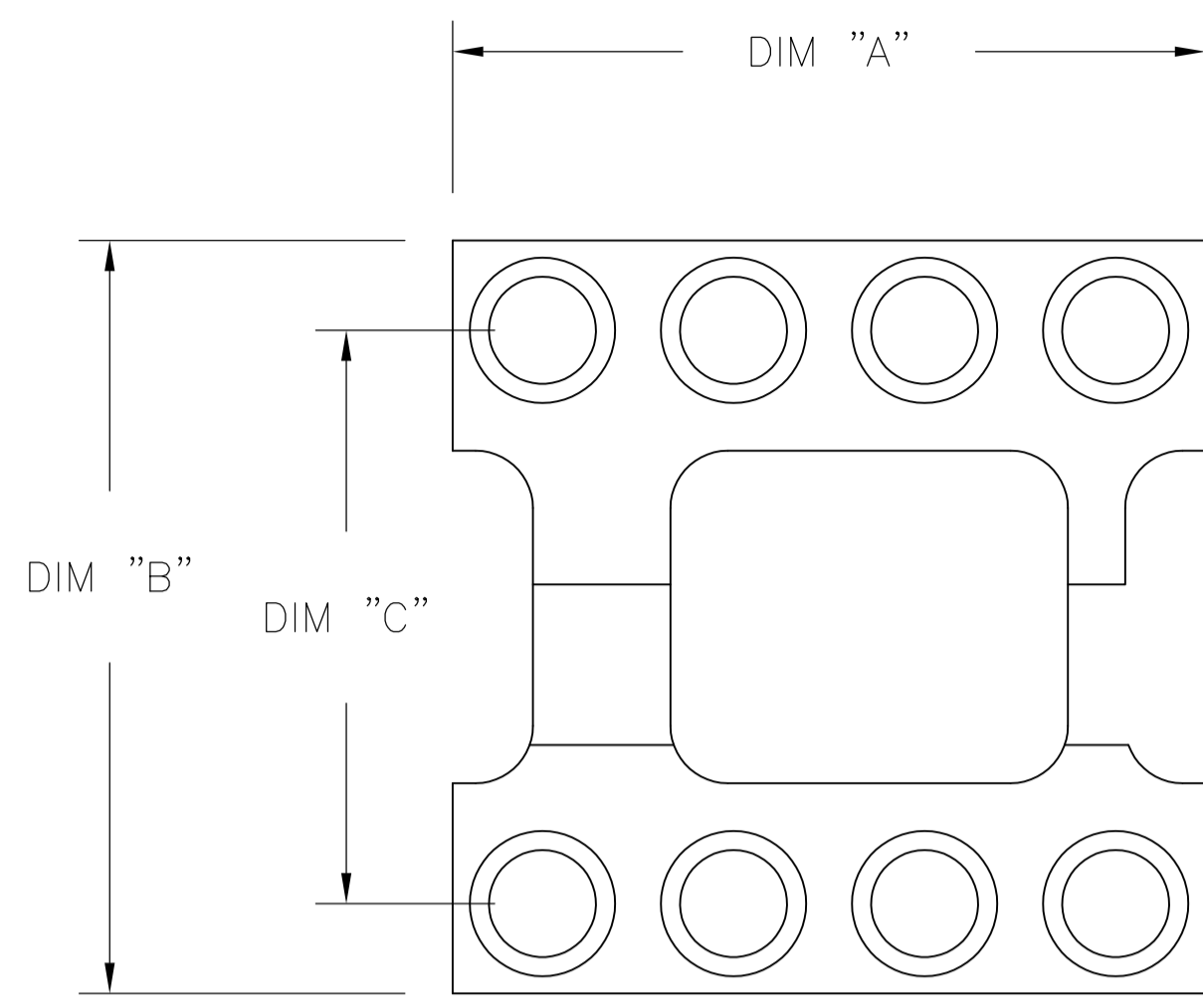


FIG. 1

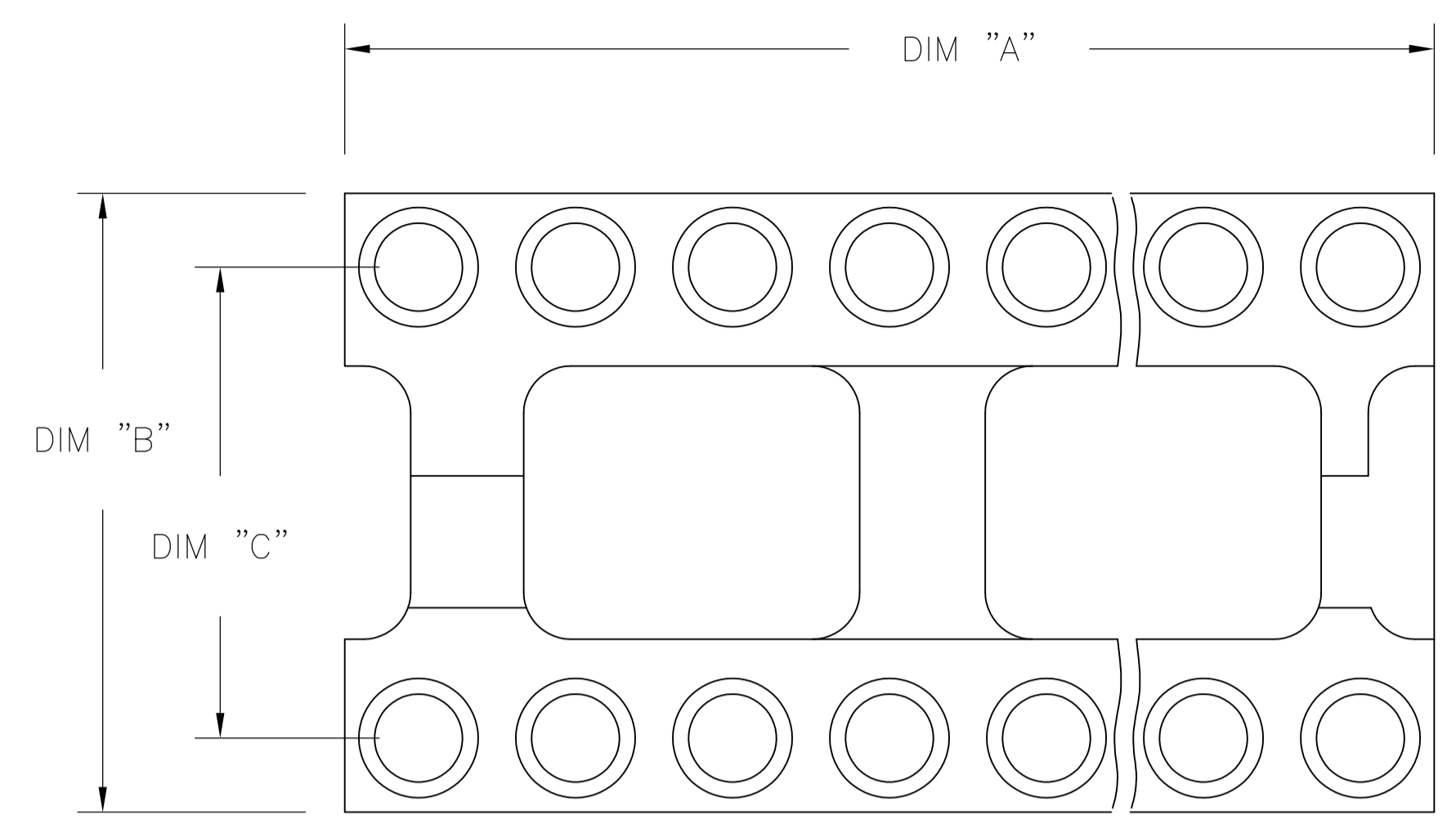


FIG. 2

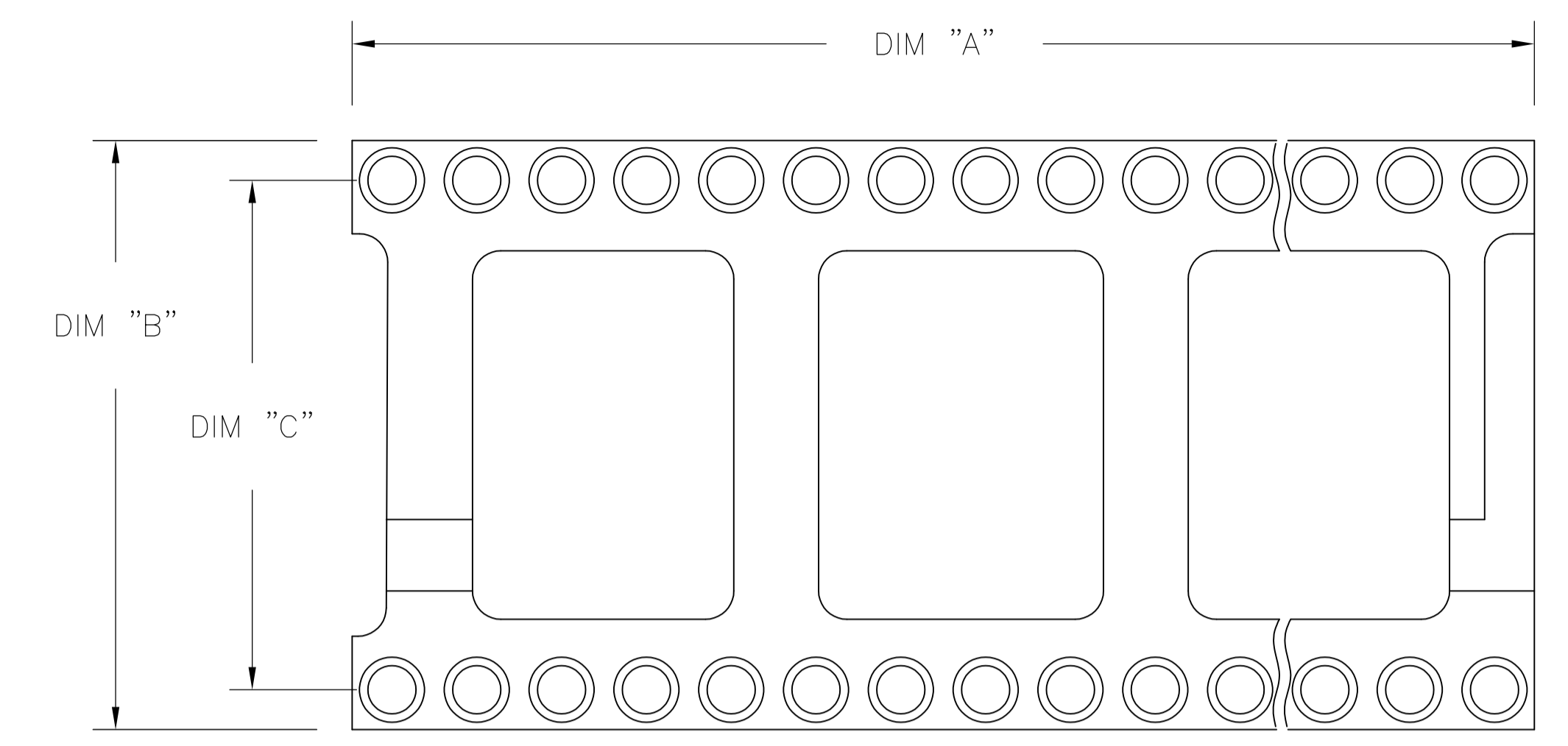
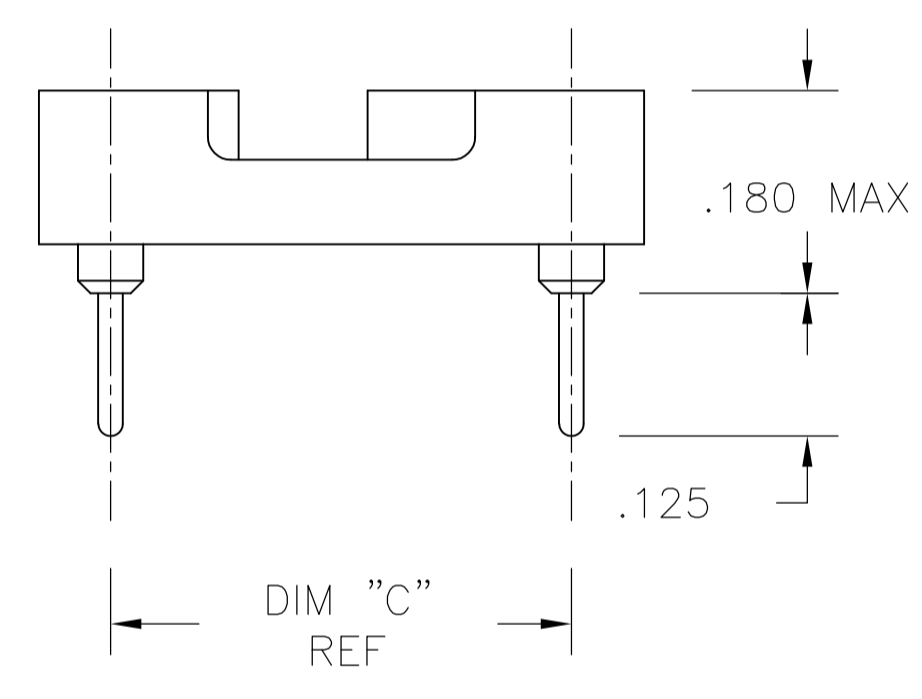
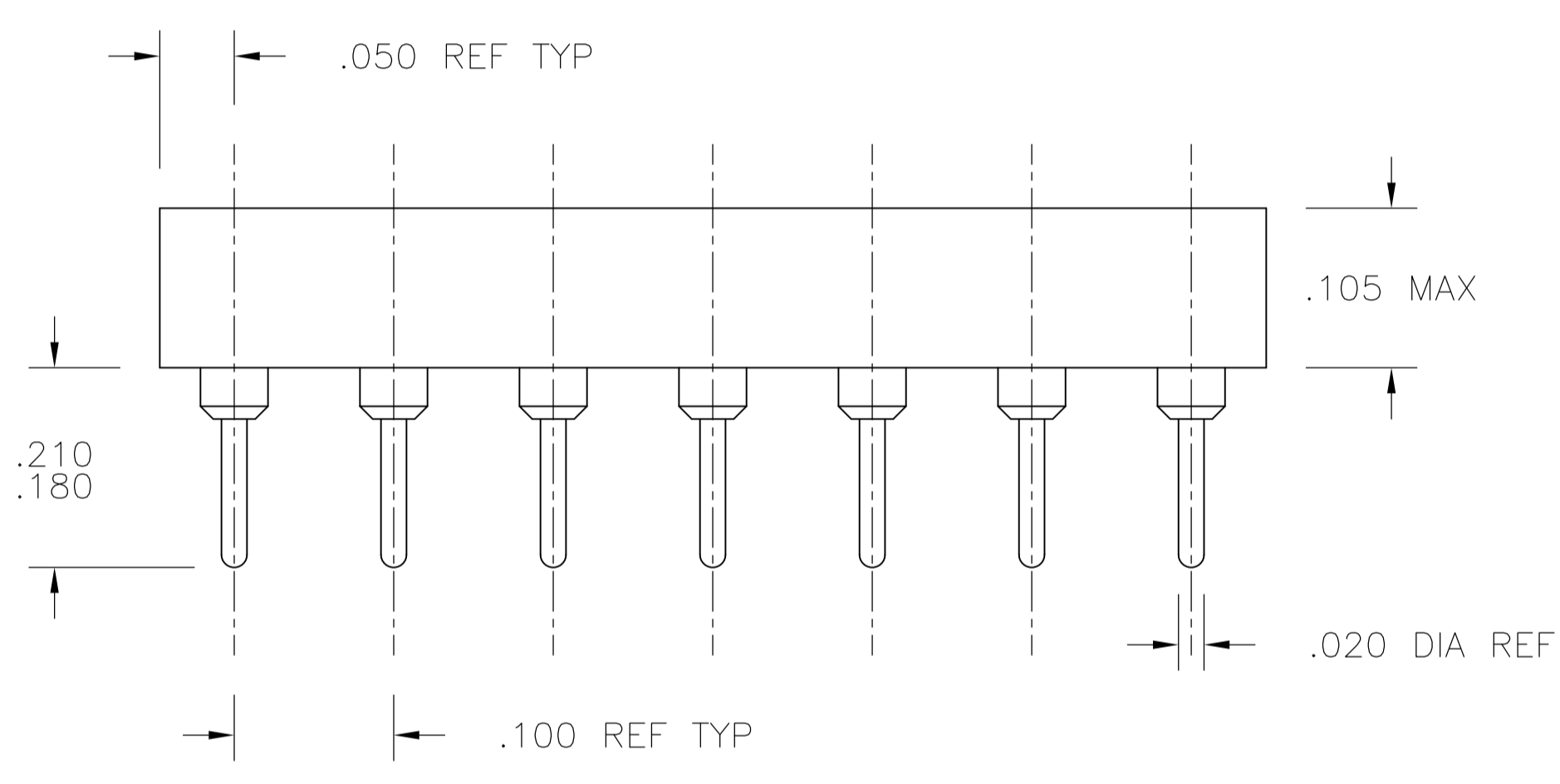
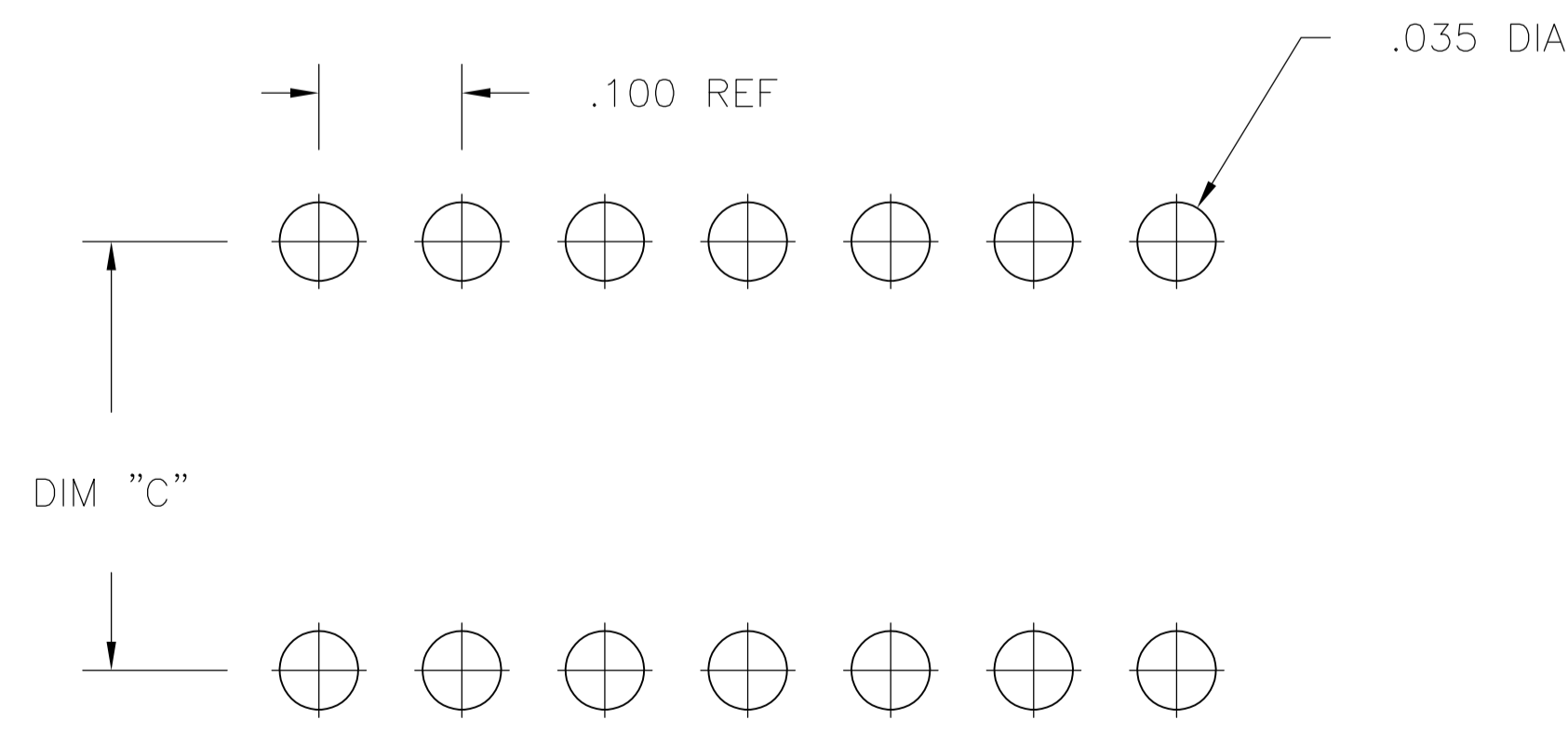


FIG. 3



1. INSULATOR MATERIAL - THERMOPLASTIC POLYESTER, PCT, BLACK, UL94 V-0
2. MACHINED CONTACT - BECU, PLATED WITH 80-200μ" TIN (LEAD FREE) OVER 75-100μ" COPPER.
3. SLEEVE - COPPER, PLATED WITH 180-340μ" THK TIN (LEAD FREE) OVER 75-125 MIN NICKEL.
4. MACHINED CONTACT - BECU, PLATED WITH 25μ" MIN. GOLD OVER 30-100μ" NICKEL.
5. ELECTRICAL:  
 CONTACT RESISTANCE: 10 MILLIOHMS MAX  
 CONTACT RATING: 3 AMPS  
 CAPACITANCE: 1.0 pF PER MIL-STD-202, METHOD 305  
 INSULATION RESISTANCE: 5000 OHMS MIN @ 500 VDC PER MIL-STD-1344, METHOD 3003.1  
 DIELECTRIC WITHSTANDING VOLTAGE: 1000 VOLTS (RMS) PER MIL-STD-1344, METHOD 3001.1
6. MECHANICAL:  
 INSERTION FORCE: 134 GRAMS AVG  
 WITHDRAWAL FORCE: 63 GRAMS AVG  
 "ACCEPTS IC PIN - .009"X.015" THROUGH .011"X.020", OR .016" TO .021" DIAMETER, .150/.105 LONG"
7. ENVIRONMENTAL:  
 OPERATING TEMPERATURE: -55°C TO -105°C
8. OBSOLETE PARTS: OBSOLETE CIS STREAMLINING PER D.RENAUD/D.SINISI



P.C.B. HOLE LAYOUT  
 TOLERANCE ±.003

THIS DRAWING IS A CONTROLLED DOCUMENT.		DIN T.KRAYBILL 07NOV03	TE Connectivity	
DIMENSIONS: INCHES		CHK K.WRIGHT	NAME: OPEN FRAME DIP, PREMIUM (MACHINE CONTACT), LEAD FREE (REF AUGAT 800 SERIES)	
TOLERANCES UNLESS OTHERWISE SPECIFIED:		APVD K.WRIGHT	PRODUCT SPEC	
0. PLC ± -		APPLICATION SPEC		
1. PLC ± -		SIZE: A1		
2. PLC ± -		CAGE CODE: 00779		
3. PLC ± .005		DRAWING NO: 1571586		
4. PLC ± -		RESTRICTED TO: -		
ANGLES ± -		WEIGHT: -		
MATERIAL: -		CUSTOMER DRAWING		
FINISH: -		SCALE: 4:1 SHEET 1 OF 2 REV B2		

$\triangle\triangle\triangle$	OBSOLETE	GOLD	TIN	.400±.005	.500	1.200	2	24	<del>3-1571586-7</del>
$\triangle\triangle\triangle$		GOLD	TIN	.300±.005	.400	1.200	2	24	<del>3-1571586-6</del>
$\triangle\triangle\triangle$		GOLD	TIN	.900±.005	1.000	3.200	3	64	<del>3-1571586-5</del>
$\triangle\triangle\triangle$		GOLD	TIN	.600±.005	.700	2.400	3	48	<del>3-1571586-4</del>
$\triangle\triangle\triangle$		GOLD	TIN	.600±.005	.700	2.100	3	42	<del>3-1571586-3</del>
$\triangle\triangle\triangle$		GOLD	TIN	.600±.005	.700	2.000	3	40	<del>3-1571586-2</del>
$\triangle\triangle\triangle$		GOLD	TIN	.600±.005	.700	1.800	3	36	<del>3-1571586-1</del>
$\triangle\triangle\triangle$		GOLD	TIN	.600±.005	.700	1.600	3	32	<del>3-1571586-0</del>
$\triangle\triangle\triangle$		GOLD	TIN	.600±.005	.700	1.400	2	28	<del>2-1571586-9</del>
$\triangle\triangle\triangle$		GOLD	TIN	.600±.005	.700	1.200	2	24	<del>2-1571586-8</del>
$\triangle\triangle\triangle$		GOLD	TIN	.400±.005	.500	1.100	2	22	<del>2-1571586-7</del>
$\triangle\triangle\triangle$		GOLD	TIN	.300±.005	.400	1.000	2	20	<del>2-1571586-6</del>
$\triangle\triangle\triangle$		GOLD	TIN	.300±.005	.400	.900	2	18	<del>2-1571586-5</del>
$\triangle\triangle\triangle$		GOLD	TIN	.300±.005	.400	.800	2	16	<del>2-1571586-4</del>
$\triangle\triangle\triangle$		GOLD	TIN	.300±.005	.400	.700	2	14	<del>2-1571586-3</del>
$\triangle\triangle\triangle$		GOLD	TIN	.300±.005	.400	.400	1	8	<del>2-1571586-2</del>
$\triangle\triangle\triangle$		TIN	TIN	.400±.005	.500	1.200	2	24	<del>1-1571586-7</del>
$\triangle\triangle\triangle$		TIN	TIN	.300±.005	.400	1.200	2	24	<del>1-1571586-6</del>
$\triangle\triangle\triangle$	OBSOLETE	TIN	TIN	.900±.005	1.000	3.200	3	64	<del>1-1571586-5</del>
$\triangle\triangle\triangle$	OBSOLETE	TIN	TIN	.600±.005	.700	2.400	3	48	<del>1-1571586-4</del>
$\triangle\triangle\triangle$	OBSOLETE	TIN	TIN	.600±.005	.700	2.100	3	42	<del>1-1571586-3</del>
$\triangle\triangle\triangle$	OBSOLETE	TIN	TIN	.600±.005	.700	2.000	3	40	<del>1-1571586-2</del>
$\triangle\triangle\triangle$	OBSOLETE	TIN	TIN	.600±.005	.700	1.800	3	36	<del>1-1571586-1</del>
$\triangle\triangle\triangle$		TIN	TIN	.600±.005	.700	1.600	3	32	<del>1-1571586-0</del>
$\triangle\triangle\triangle$	OBSOLETE	TIN	TIN	.600±.005	.700	1.400	2	28	<del>1571586-9</del>
$\triangle\triangle\triangle$	OBSOLETE	TIN	TIN	.600±.005	.700	1.200	2	24	<del>1571586-8</del>
$\triangle\triangle\triangle$	OBSOLETE	TIN	TIN	.400±.005	.500	1.100	2	22	<del>1571586-7</del>
$\triangle\triangle\triangle$		TIN	TIN	.300±.005	.400	1.000	2	20	<del>1571586-6</del>
$\triangle\triangle\triangle$	OBSOLETE	TIN	TIN	.300±.005	.400	.900	2	18	<del>1571586-5</del>
$\triangle\triangle\triangle$	OBSOLETE	TIN	TIN	.300±.005	.400	.800	2	16	<del>1571586-4</del>
$\triangle\triangle\triangle$	OBSOLETE	TIN	TIN	.300±.005	.400	.700	2	14	<del>1571586-3</del>
$\triangle\triangle\triangle$		TIN	TIN	.300±.005	.400	.400	1	8	<del>1571586-2</del>

FINISH CONTACT/SLEEVE	"C" MAX	"B" MAX	"A" MAX	FIG	NO. OF POSN	PART NO.
-----------------------	---------	---------	---------	-----	-------------	----------

THIS DRAWING IS A CONTROLLED DOCUMENT.		DIN T. KRAYBILL 07NOV03	TE Connectivity	
DIMENSIONS: INCHES	TOLERANCES UNLESS OTHERWISE SPECIFIED:	CHK K. WRIGHT	NAME: OPEN FRAME DIP, PREMIUM (MACHINE CONTACT), LEAD FREE (REF AUGAT 800 SERIES)	
0 PLC ± - 1 PLC ± - 2 PLC ± - 3 PLC ± .005 4 PLC ± - ANGLES ± -		APVD K. WRIGHT	APPLICATION SPEC	SIZE: A1
MATERIAL	FINISH	WEIGHT	CUSTOMER DRAWING	SCALE: 1:1 SHEET 2 OF 2 REV B2