



Chipsmall Limited consists of a professional team with an average of over 10 year of expertise in the distribution of electronic components. Based in Hongkong, we have already established firm and mutual-benefit business relationships with customers from,Europe,America and south Asia,supplying obsolete and hard-to-find components to meet their specific needs.

With the principle of “Quality Parts,Customers Priority,Honest Operation,and Considerate Service”,our business mainly focus on the distribution of electronic components. Line cards we deal with include Microchip,ALPS,ROHM,Xilinx,Pulse,ON,Everlight and Freescale. Main products comprise IC,Modules,Potentiometer,IC Socket,Relay,Connector.Our parts cover such applications as commercial,industrial, and automotives areas.

We are looking forward to setting up business relationship with you and hope to provide you with the best service and solution. Let us make a better world for our industry!



Contact us

Tel: +86-755-8981 8866 Fax: +86-755-8427 6832

Email & Skype: info@chipsmall.com Web: www.chipsmall.com

Address: A1208, Overseas Decoration Building, #122 Zhenhua RD., Futian, Shenzhen, China



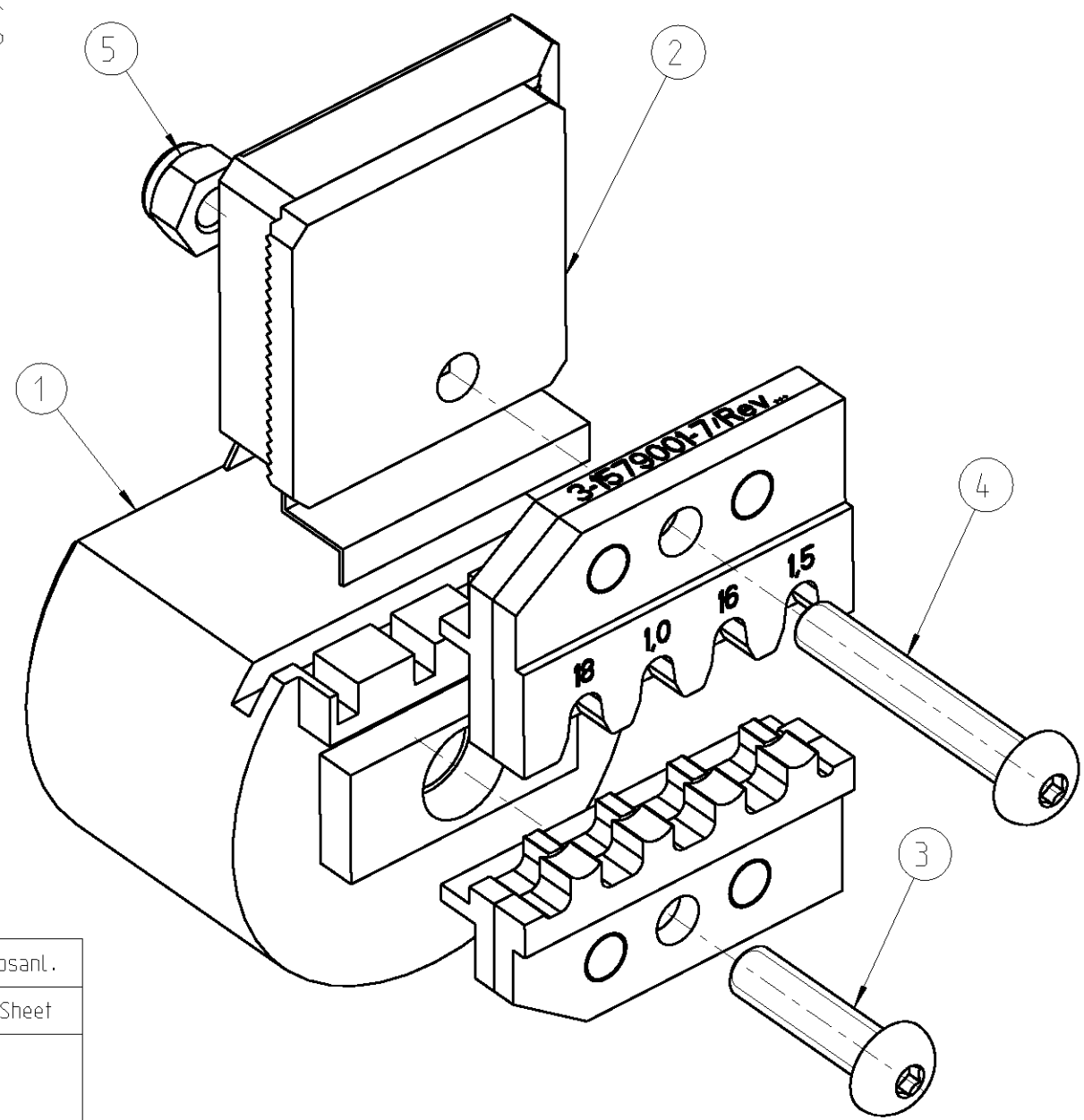
THIS DRAWING IS UNPUBLISHED. RELEASED FOR PUBLICATION 2008
 © COPYRIGHT 2008 BY TYCO ELECTRONICS CORPORATION. ALL RIGHTS RESERVED.

LOC	DIST	REVISIONS			
P	LTR	DESCRIPTION	DATE	DWN	APVD
AI	-				

ERGOCRIMP DIE SET FOR MCON 1.2 CLEAN BODY SWS

Matrize in Kombination mit Ergocrimp Basishandzange TE P/N 539635-1 verwenden
 Use die set in combination with Ergocrimp basis hand tool TE P/N 539635-1

Matrize im Karton mit Bedienungsanleitung 411-18448 verpackt
 Die set packed in a cardboard with instruction sheet 411-18448



3-1579001-7	1	9-0744012-8	Instruction Sheet	Bedienungsanleitung	6
	1	0-0519024-2	Nut M4 DIN 985	Mutter M4 DIN 985	5
	1	1-0519151-3	Screw M4x25	Schraube M4x25	4
	1	1-0519151-1	Screw M4x16	Schraube M4x16	3
	1	8-1579013-1	Locator Assembly	Drahtanschlag	2
	1	8-1579013-0	Contact Locator	Kontaktpositionierer	1
	QTY Stck	TE P/N	Description	Benennung	Pos.

Kontakt	DGB (mm ²)	Drahtcrimp / Wire Crimp		Isolationscrimp / Insulation Crimp		Isol.Ø	Betriebsanl.
Contact	AWG	Hoehe/Height mm	Breite/Width mm	Hoehe/Height mm	Breite/Width mm	Ins.Range	Instr.Sheet
1418851	18	1.11 ±0.05	1.78 F	3.45 max.	3.30 0	1.9-2.4	411-18448
	1.0	1.18 ±0.05					
	16	1.31 ±0.05					
	1.5	1.36 ±0.05					

<small>THIS DRAWING IS A CONTROLLED DOCUMENT FOR TYCO ELECTRONICS CORPORATION IT IS SUBJECT TO CHANGE AND THE CONTROLLING ENGINEERING ORGANIZATION SHOULD BE CONTACTED FOR THE LATEST REVISION.</small>		DWN Ch.Witt	12AUG2008	tyco Electronics AMP GmbH D - 64625 Bensheim	
DIMENSIONS: mm		CHK -	APVD -	NAME ERGOCRIMP DIE SET FOR MCON 1.2 CLEAN BODY SWS	
		PRODUCT SPEC -	APPLICATION SPEC -	RESTRICTED TO -	
MATERIAL -		FINISH -	WEIGHT 200 g	SIZE A3	CAGE CODE 00779
		CUSTOMER DRAWING		DRAWING NO C-3-1579001-7	SCALE 2:1
				SHEET 1	OF 1
				REV A	