



Chipsmall Limited consists of a professional team with an average of over 10 year of expertise in the distribution of electronic components. Based in Hongkong, we have already established firm and mutual-benefit business relationships with customers from,Europe,America and south Asia,supplying obsolete and hard-to-find components to meet their specific needs.

With the principle of "Quality Parts,Customers Priority,Honest Operation,and Considerate Service",our business mainly focus on the distribution of electronic components. Line cards we deal with include Microchip,ALPS,ROHM,Xilinx,Pulse,ON,Everlight and Freescale. Main products comprise IC,Modules,Potentiometer,IC Socket,Relay,Connector.Our parts cover such applications as commercial,industrial, and automotives areas.

We are looking forward to setting up business relationship with you and hope to provide you with the best service and solution. Let us make a better world for our industry!



Contact us

Tel: +86-755-8981 8866 Fax: +86-755-8427 6832

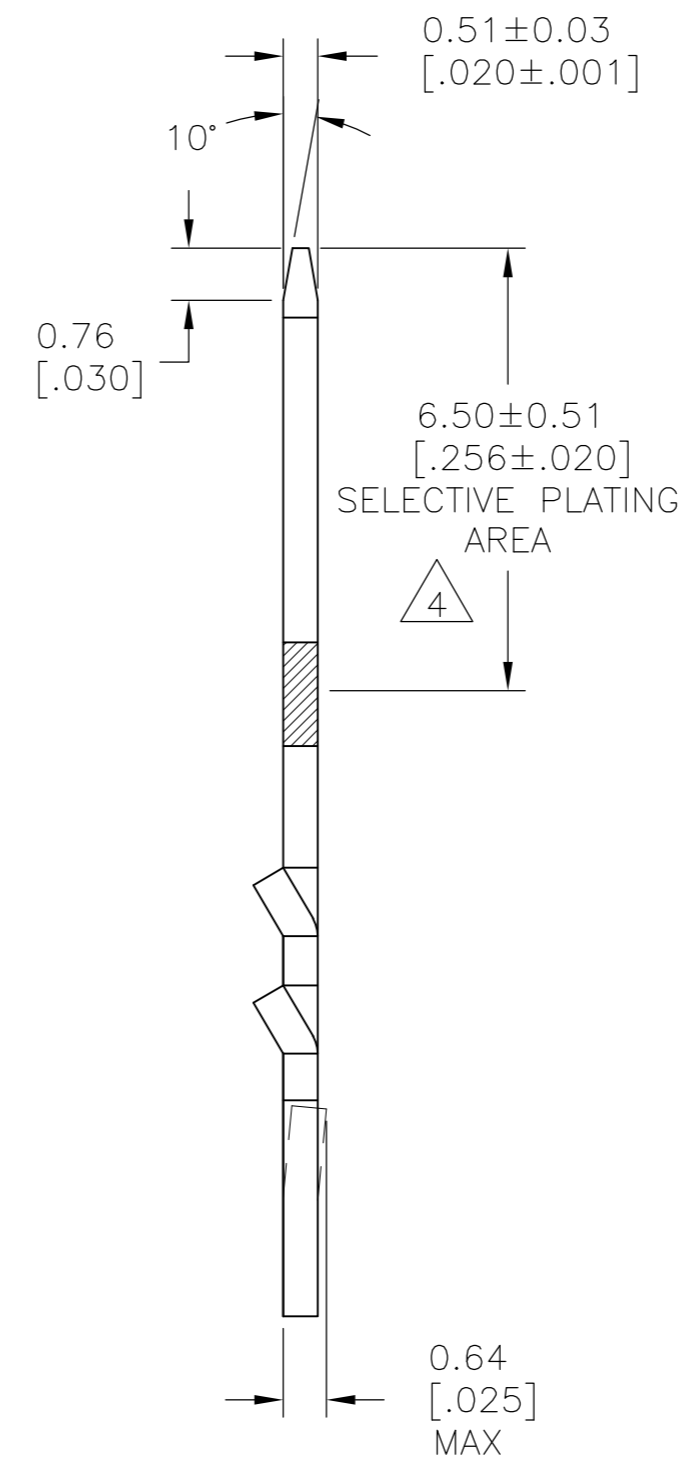
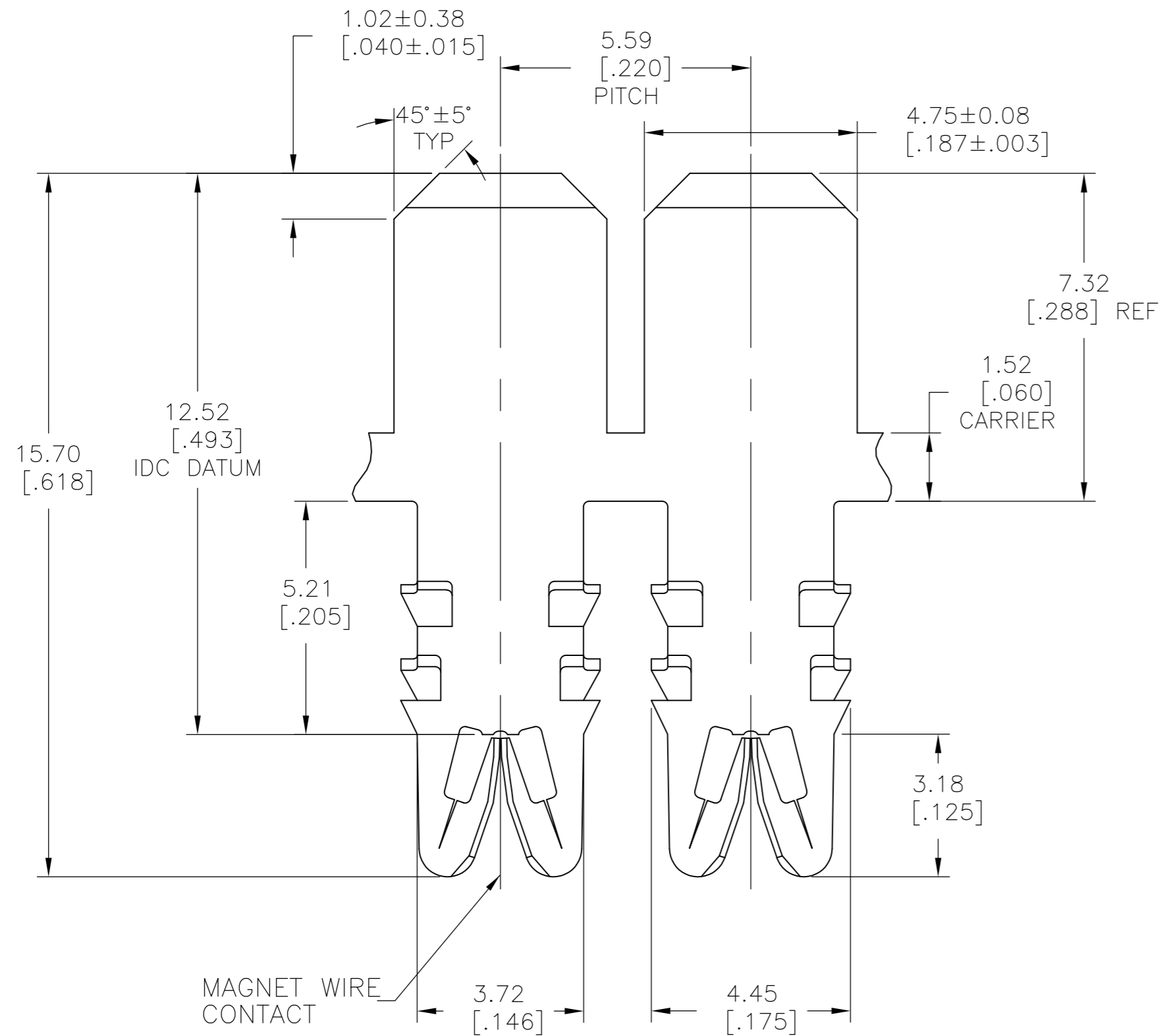
Email & Skype: info@chipsmall.com Web: www.chipsmall.com

Address: A1208, Overseas Decoration Building, #122 Zhenhua RD., Futian, Shenzhen, China

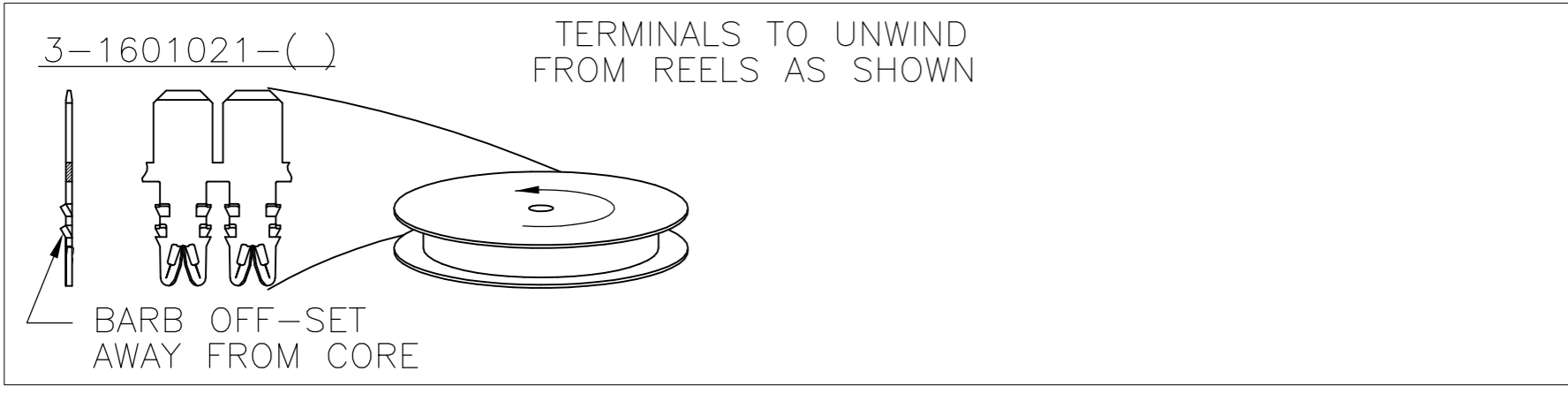
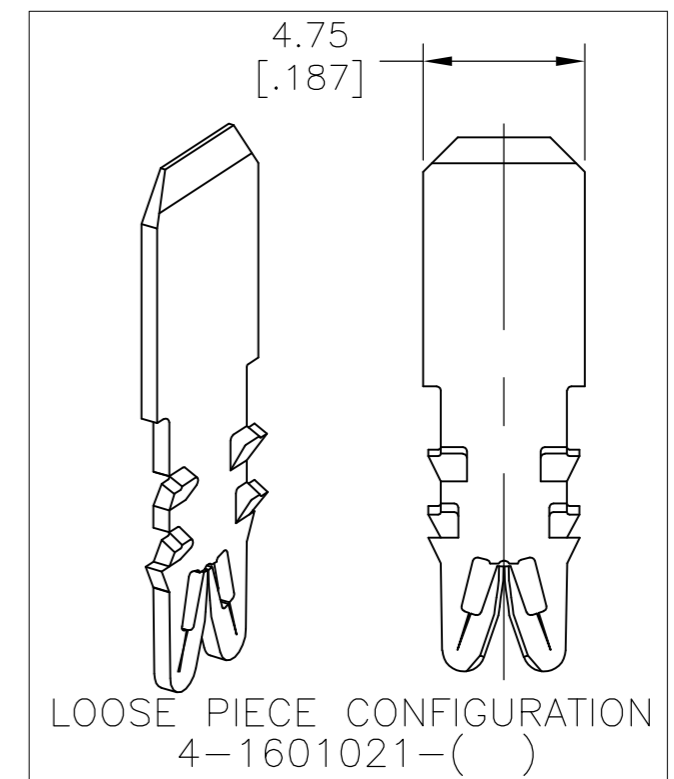


THIS DRAWING IS UNPUBLISHED. RELEASED FOR PUBLICATION
 © COPYRIGHT - By - ALL RIGHTS RESERVED.

LOC		DIST		REVISIONS			
P	LTR	DESCRIPTION		DATE	DWN	APVD	
G6		REVISED PER ECR-15-006440		24APR2015	GRZ	JL	



- 1 SPECIFICATIONS:
MAGNET WIRE #18- #34 AWG.
1.02 [.040]- 0.16 [.006] DIA COPPER,
- 2 POCKET RECOMMENDATION:
#1601425
- 3 SELECTIVE PLATE AREA:
0.00076 [.000030] MIN GOLD PLATE OVER
0.00127 [.000050] MIN NICKEL UNDERPLATE
OVER ENTIRE TERMINAL.
- 4 SELECTIVE PLATE AREA 1.9 MICRONS [.000075] MIN SILVER. ENTIRE
TERMINAL IS UNDERPLATED WITH NICKEL.
- 5 TERMINAL APPLICATION TO COMPLY WITH TYCO
ELECTRONICS SPECIFICATION 114-13166
FIGURE 6.
- 6 NON-STANDARD PACKAGING. ALL PLASTIC REEL AND
PLASTIC INTERLEAVING. PLACED IN A PLASTIC BAG.
- 7 PRELIMINARY - NOT FOR PRODUCTION.



STANDARD	4	-	1601021-5
6	PRE-TIN PLATE OVER COPPER UNDERPLATE	-	7 3-1601021-4
STANDARD	3	-	7 2-1601021-3
STANDARD	3	-	7 1601021-3
STANDARD	UNPLATED	-	7 1601021-1
STANDARD	PRE-TIN PLATE OVER COPPER UNDERPLATE	-	3-1601021-2
STANDARD	PRE-TIN PLATE OVER COPPER UNDERPLATE	131-046-014	2-1601021-2
STANDARD	PRE-TIN PLATE OVER COPPER UNDERPLATE	131-047-014	1601021-2
PACKAGING	FINISH	REFERENCE PART NUMBER	TE PART NUMBER

THIS DRAWING IS A CONTROLLED DOCUMENT.

DIMENSIONS: mm [INCHES]	TOLERANCES UNLESS OTHERWISE SPECIFIED: 0 PLC ± - 1 PLC ± 0.25[.010] 2 PLC ± 0.13[.005] 3 PLC ± - 4 PLC ± - ANGLES ± 2°	FINISH SEE TABLE	MATERIAL BRASS, FULL HARD	WEIGHT -	CUSTOMER DRAWING	DWN J.WELLER 11JAN2002	CHK M.FEHER 11JAN2002	APVD K.RANDOLPH 11JAN2002	NAME 108-2085 APPLICATION SPEC	SIZE A2	CAGE CODE 00779	DRAWING NO C=1601021	RESTRICTED TO -
----------------------------	--	---------------------	------------------------------	-------------	------------------	------------------------------	-----------------------------	---------------------------------	--------------------------------------	------------	--------------------	-------------------------	--------------------

TE Connectivity
 STD RANGE WIRE TO .187 X .020
 MULTI-BARB TAB SIAMEZE TERMINAL

SCALE 9:1 SHEET 1 OF 1 REV G6