



Chipsmall Limited consists of a professional team with an average of over 10 year of expertise in the distribution of electronic components. Based in Hongkong, we have already established firm and mutual-benefit business relationships with customers from,Europe,America and south Asia,supplying obsolete and hard-to-find components to meet their specific needs.

With the principle of “Quality Parts,Customers Priority,Honest Operation,and Considerate Service”,our business mainly focus on the distribution of electronic components. Line cards we deal with include Microchip,ALPS,ROHM,Xilinx,Pulse,ON,Everlight and Freescale. Main products comprise IC,Modules,Potentiometer,IC Socket,Relay,Connector.Our parts cover such applications as commercial,industrial, and automotives areas.

We are looking forward to setting up business relationship with you and hope to provide you with the best service and solution. Let us make a better world for our industry!



Contact us

Tel: +86-755-8981 8866 Fax: +86-755-8427 6832

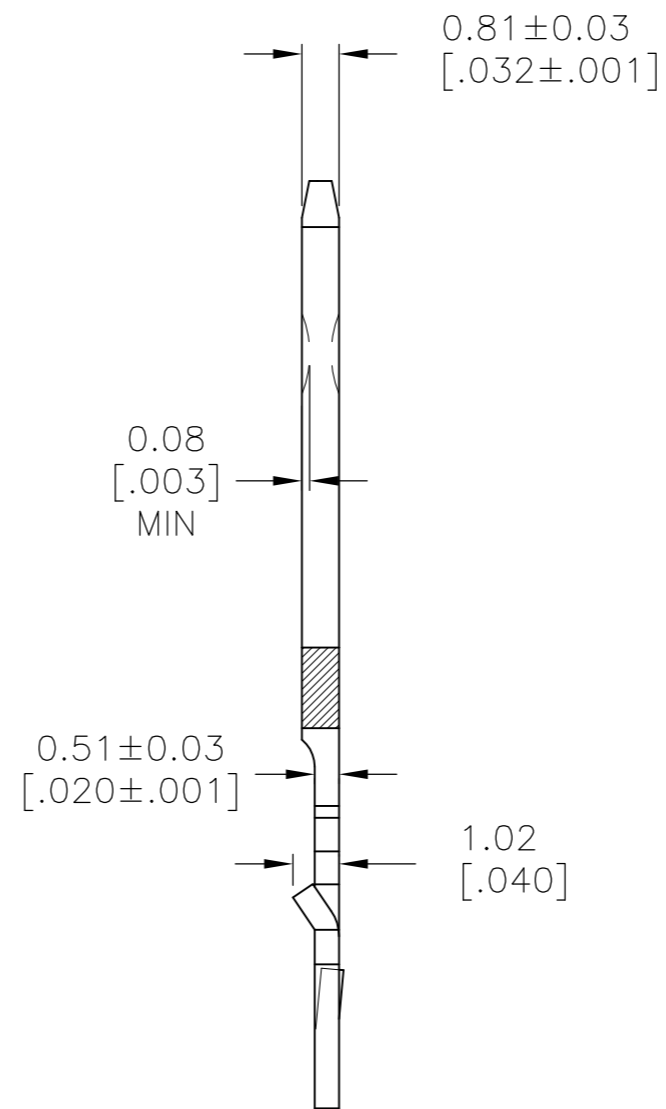
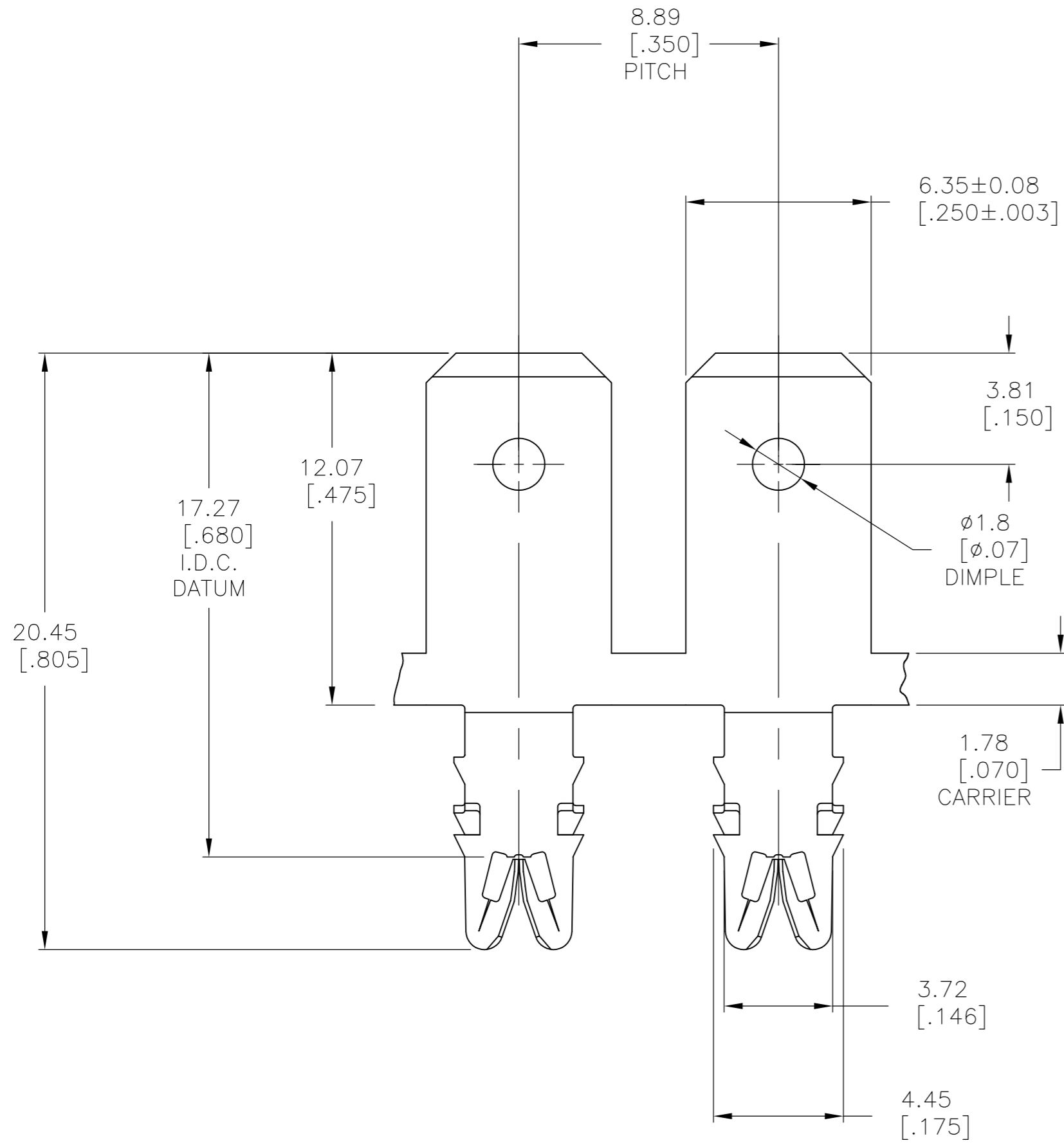
Email & Skype: info@chipsmall.com Web: www.chipsmall.com

Address: A1208, Overseas Decoration Building, #122 Zhenhua RD., Futian, Shenzhen, China

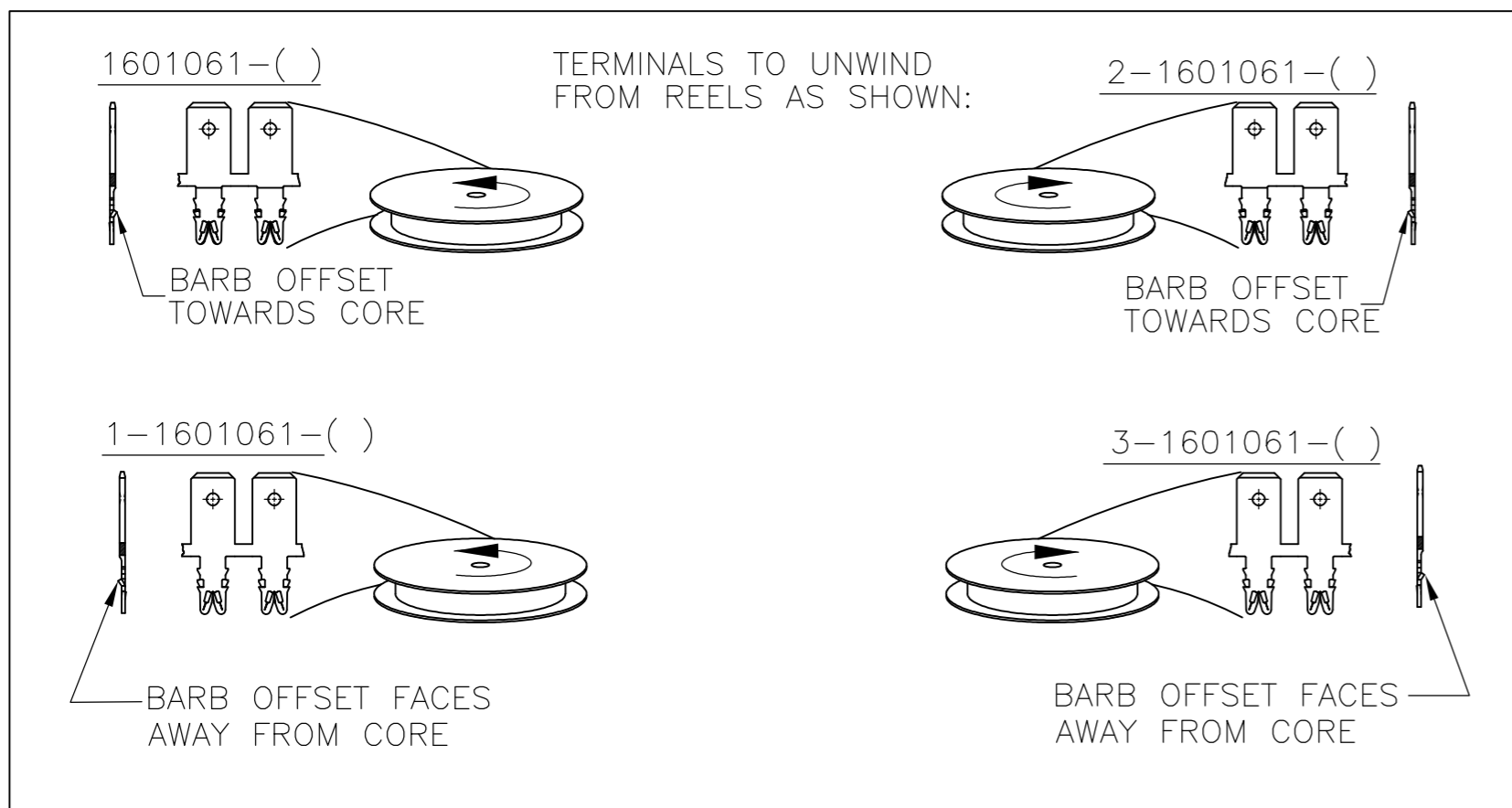
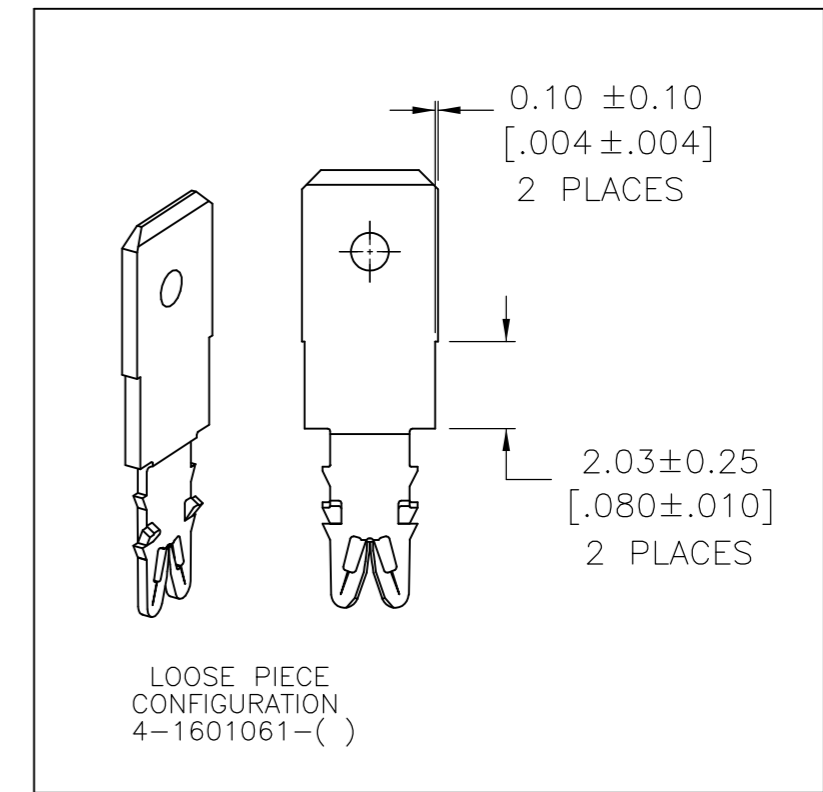


THIS DRAWING IS UNPUBLISHED. RELEASED FOR PUBLICATION
 © COPYRIGHT - By - ALL RIGHTS RESERVED.

LOC	DIST	REVISIONS			
P	LTR	DESCRIPTION	DATE	DWN	APVD
AF	50				
	D5	REVISED PER ECR-14-017225	18NOV2014	GRZ	JL



- SPECIFICATIONS:
MAGNET WIRE #18 - #34 AWG COPPER 1.02mm [.040"]
- 0.16mm [.006"] DIA. OTHER SIZES MAY BE ACCOMODATED,
CONSULT TYCO ELECTRONICS FOR APPROVAL.
- POCKET RECOMMENDATION: 1601425
- TERMINAL APPLICATION TO COMPLY WITH TYCO ELECTRONICS
SPECIFICATION 114-13166 FIGURE 6
- TWO (2) TERMINALS SHOWN FOR ILLUSTRATION PURPOSES ONLY.



FINISH	REFERENCE PART NUMBER	PART NUMBER
PRE TIN PLATE	--	3-1601061-2
PRE TIN PLATE	131-128-002	2-1601061-2
OBSELETE UNPLATED	131-128-000	2-1601061-1
PRE TIN PLATE	--	1-1601061-2
PRE TIN PLATE	131-127-002	1601061-2

THIS DRAWING IS A CONTROLLED DOCUMENT.

DIMENSIONS: mm [INCHES]	TOLERANCES UNLESS OTHERWISE SPECIFIED: 0 PLC ± - 1 PLC ± 0.25 [.01] 2 PLC ± 0.13 [.005] 3 PLC ± - 4 PLC ± - ANGLES ± -	DWN J.WELLER 11JAN2002 CHK M.FEHER 11JAN2002 APVD K.RANDOLPH 11JAN2002 PRODUCT SPEC 108-2085 APPLICATION SPEC	NAME TE Connectivity STD. RANGE WIRE TO .250 X .032 MULTI-BARB TAB SIAMEZE TERMINAL
MATERIAL BRASS, 1/2 HARD	FINISH SEE TABLE	WEIGHT -	SIZE A2 CAGE CODE 00779 DRAWING NO. C=1601061 RESTRICTED TO

CUSTOMER DRAWING SCALE 6:1 SHEET 1 OF 1 REV D5