



Chipsmall Limited consists of a professional team with an average of over 10 year of expertise in the distribution of electronic components. Based in Hongkong, we have already established firm and mutual-benefit business relationships with customers from,Europe,America and south Asia,supplying obsolete and hard-to-find components to meet their specific needs.

With the principle of “Quality Parts,Customers Priority,Honest Operation,and Considerate Service”,our business mainly focus on the distribution of electronic components. Line cards we deal with include Microchip,ALPS,ROHM,Xilinx,Pulse,ON,Everlight and Freescale. Main products comprise IC,Modules,Potentiometer,IC Socket,Relay,Connector.Our parts cover such applications as commercial,industrial, and automotives areas.

We are looking forward to setting up business relationship with you and hope to provide you with the best service and solution. Let us make a better world for our industry!



## Contact us

Tel: +86-755-8981 8866 Fax: +86-755-8427 6832

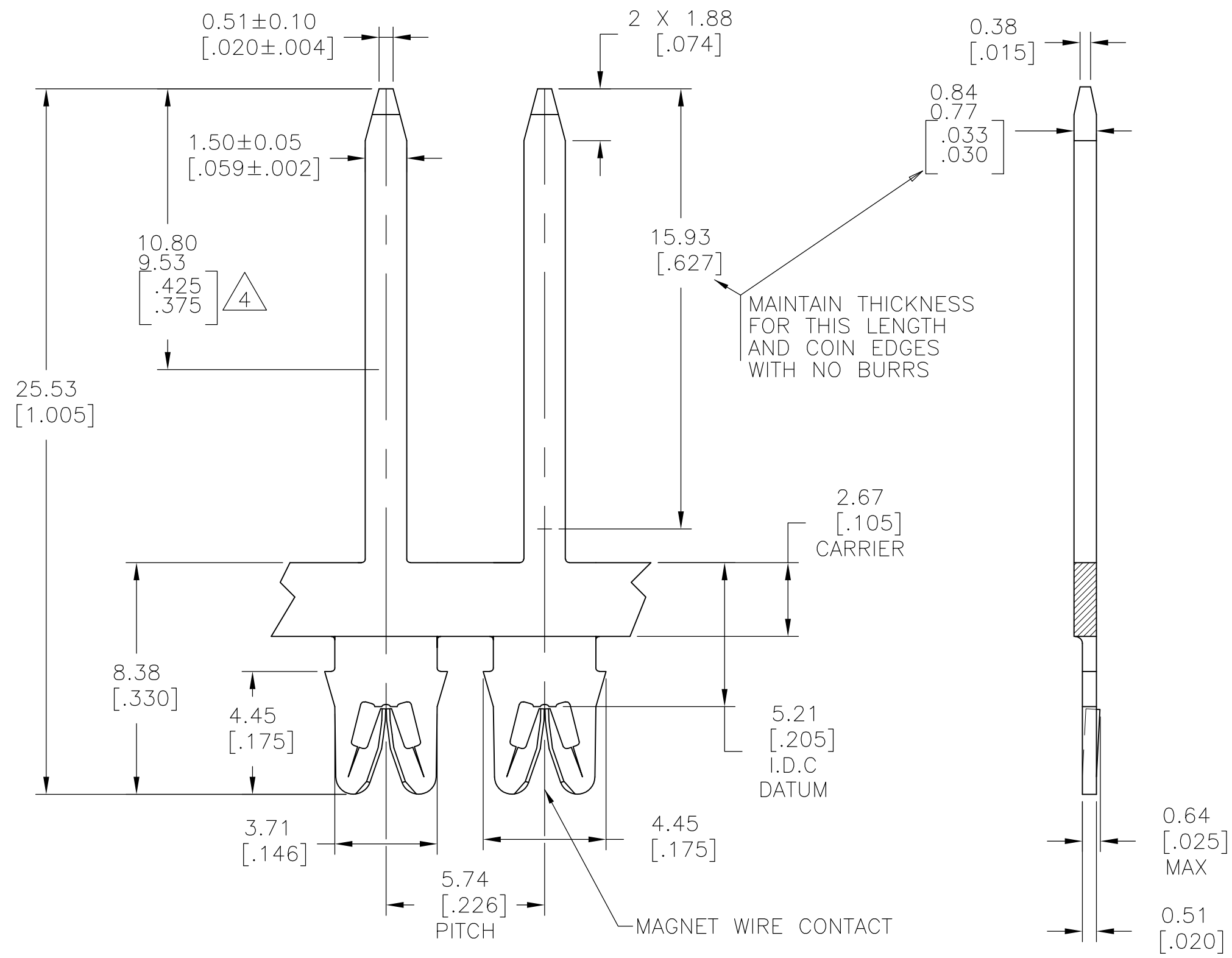
Email & Skype: info@chipsmall.com Web: www.chipsmall.com

Address: A1208, Overseas Decoration Building, #122 Zhenhua RD., Futian, Shenzhen, China

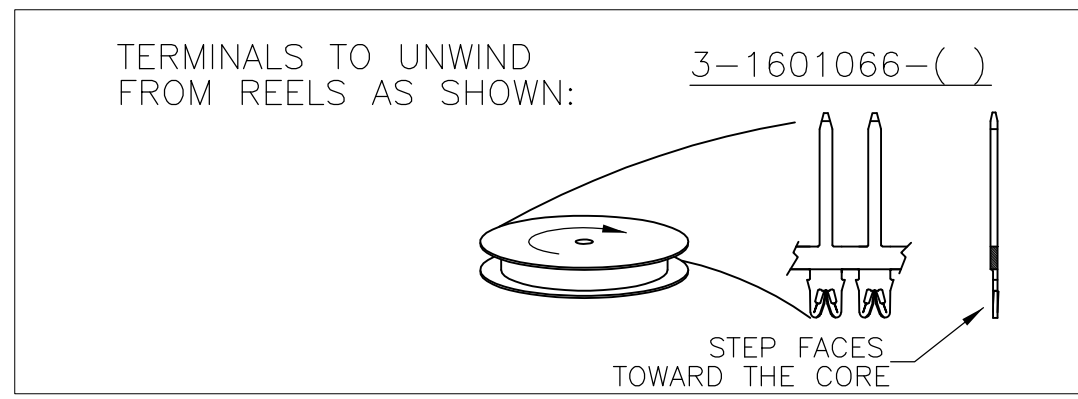
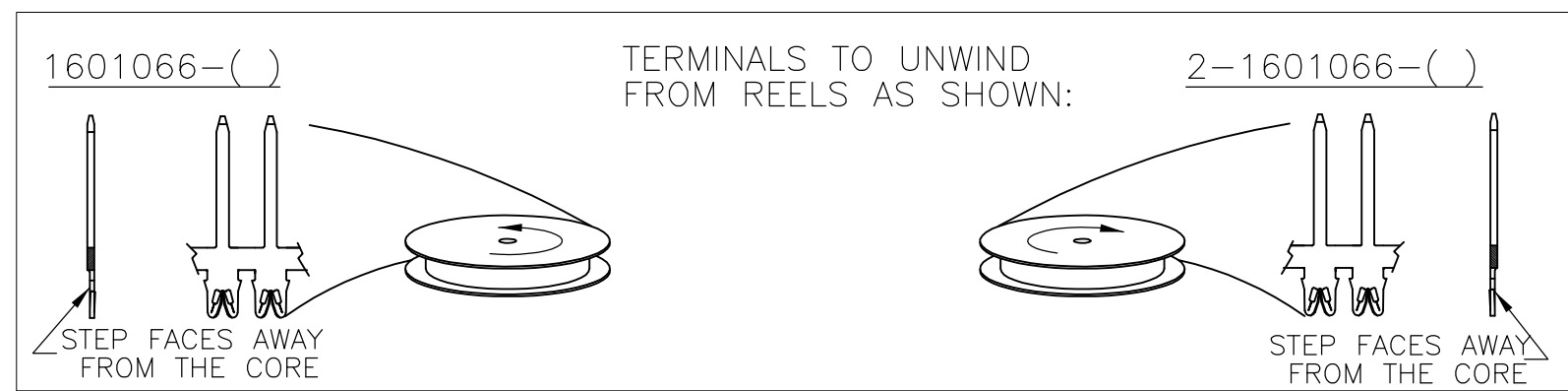
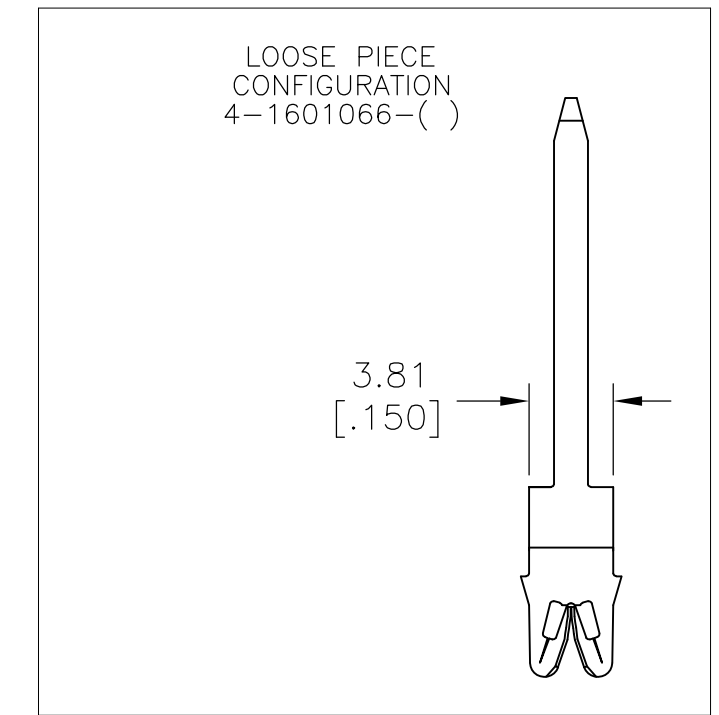


THIS DRAWING IS UNPUBLISHED. RELEASED FOR PUBLICATION  
 © COPYRIGHT BY TYCO ELECTRONICS CORPORATION. ALL INTERNATIONAL RIGHTS RESERVED.

| LOC |     | DIST        |                           | REVISIONS |      |    |  |
|-----|-----|-------------|---------------------------|-----------|------|----|--|
| P   | LTR | DESCRIPTION | DATE                      | DWN       | APVD |    |  |
| AF  | 50  | E2          | REVISED PER ECR-09-005398 | 11MAR09   | HMR  | GJ |  |



- 1 SPECIFICATIONS: MAGNET WIRE #18 - #34 AWG 1.02(.040") - 0.16(.006") DIA COPPER.
- 2 POCKET RECOMMENDATION: # 1601431
- 3 TERMINAL APPLICATION TO COMPLY WITH TYCO ELECTRONICS SPECIFICATION 114-13166 FIGURE 10
- 4 SELECTIVELY POST PLATED WITH GOLD FOR THE LENGTH INDICATED. ENTIRE TERMINAL IS NICKEL UNDERPLATED.
- 5 PRELIMINARY - NOT FOR PRODUCTION



|  |  |  |
|--|--|--|
| PRE-TIN PLATE OVER COPPER UNDERPLATE   | -  | 5 4-1601066-2  |
| 4                                      | -  | 5 3-1601066-3  |
| PRE-TIN PLATE OVER COPPER UNDERPLATE   | -  | 3-1601066-2  |
| PRE-TIN PLATE OVER COPPER UNDERPLATE   | 131-134-014  | 2-1601066-2  |
| PRE-TIN PLATE OVER COPPER UNDERPLATE   | 131-133-014  | 1601066-2  |
| FINISH                                 | REFERENCE PART NUMBER  | TE PART NUMBER   |
| THIS DRAWING IS A CONTROLLED DOCUMENT. | DWN J.WELLER 11JAN2002<br>CHK M.FEHER 11JAN2002<br>APVD K.RANDOLPH 11JAN2002   | Tyco Electronics Corporation<br>Harrisburg, PA 17105-3608    |
| DIMENSIONS: mm [INCHES]                | TOLERANCES UNLESS OTHERWISE SPECIFIED:<br>0 PLC ± -<br>1 PLC ± 0.25[.010]<br>2 PLC ± 0.13[.005]<br>3 PLC ± -<br>4 PLC ± -<br>ANGLES ± 2° | NAME STANDARD RANGE WIRE TO .059 X .032 TAB SIAMEZE TERMINAL |
| MATERIAL BRASS, 3/4 HARD               | FINISH SEE TABLE   | SIZE A2 CAGE CODE 00779 DRAWING NO C=1601066 RESTRICTED TO - |
| CUSTOMER DRAWING                       |  | SCALE 6:1 SHEET 1 OF 1 REV E2                                |