



Chipsmall Limited consists of a professional team with an average of over 10 year of expertise in the distribution of electronic components. Based in Hongkong, we have already established firm and mutual-benefit business relationships with customers from,Europe,America and south Asia,supplying obsolete and hard-to-find components to meet their specific needs.

With the principle of “Quality Parts,Customers Priority,Honest Operation,and Considerate Service”,our business mainly focus on the distribution of electronic components. Line cards we deal with include Microchip,ALPS,ROHM,Xilinx,Pulse,ON,Everlight and Freescale. Main products comprise IC,Modules,Potentiometer,IC Socket,Relay,Connector.Our parts cover such applications as commercial,industrial, and automotives areas.

We are looking forward to setting up business relationship with you and hope to provide you with the best service and solution. Let us make a better world for our industry!



Contact us

Tel: +86-755-8981 8866 Fax: +86-755-8427 6832

Email & Skype: info@chipsmall.com Web: www.chipsmall.com

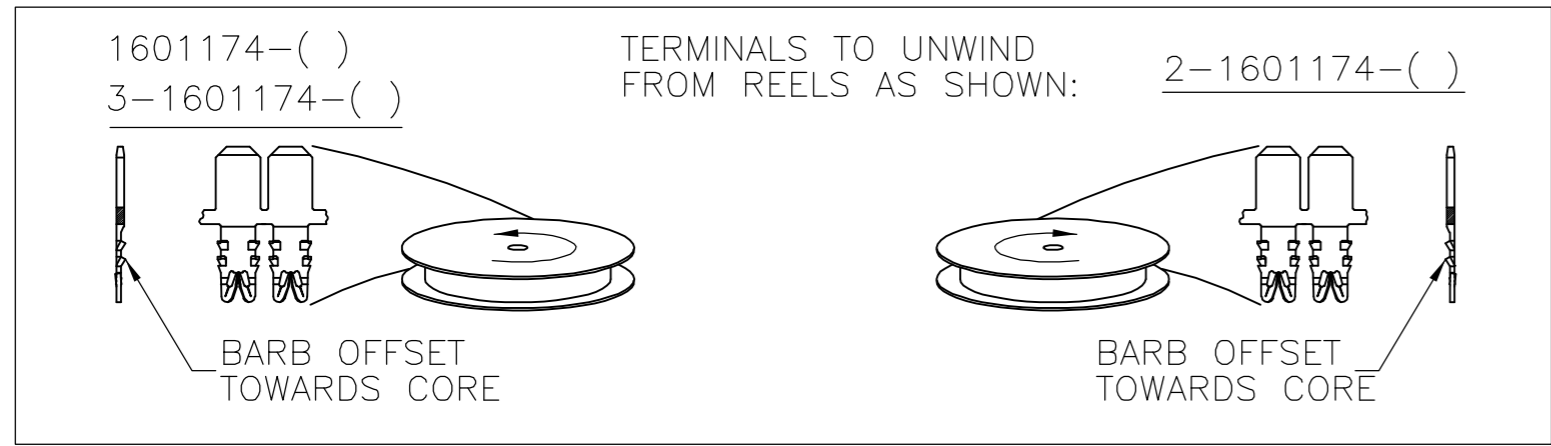
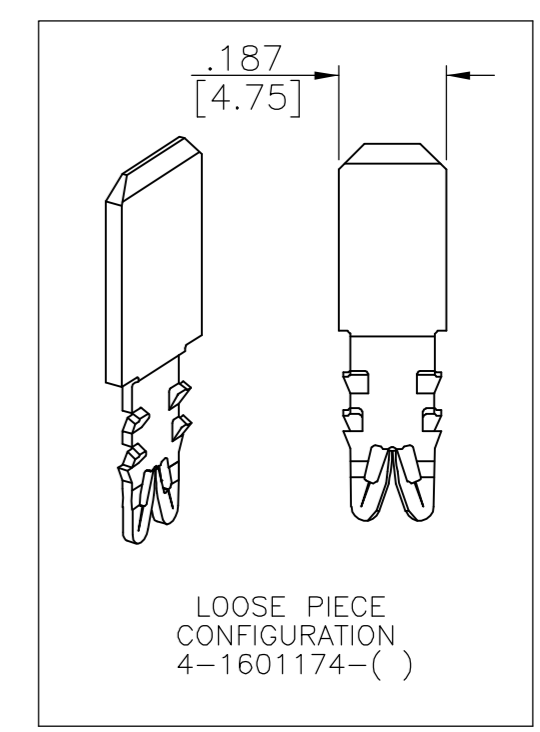
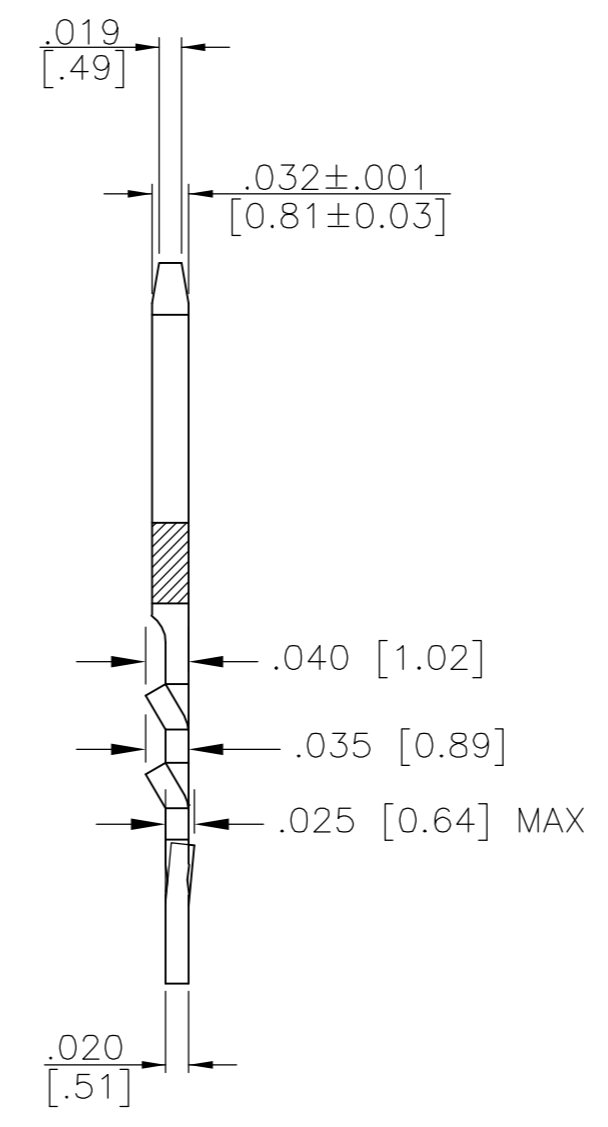
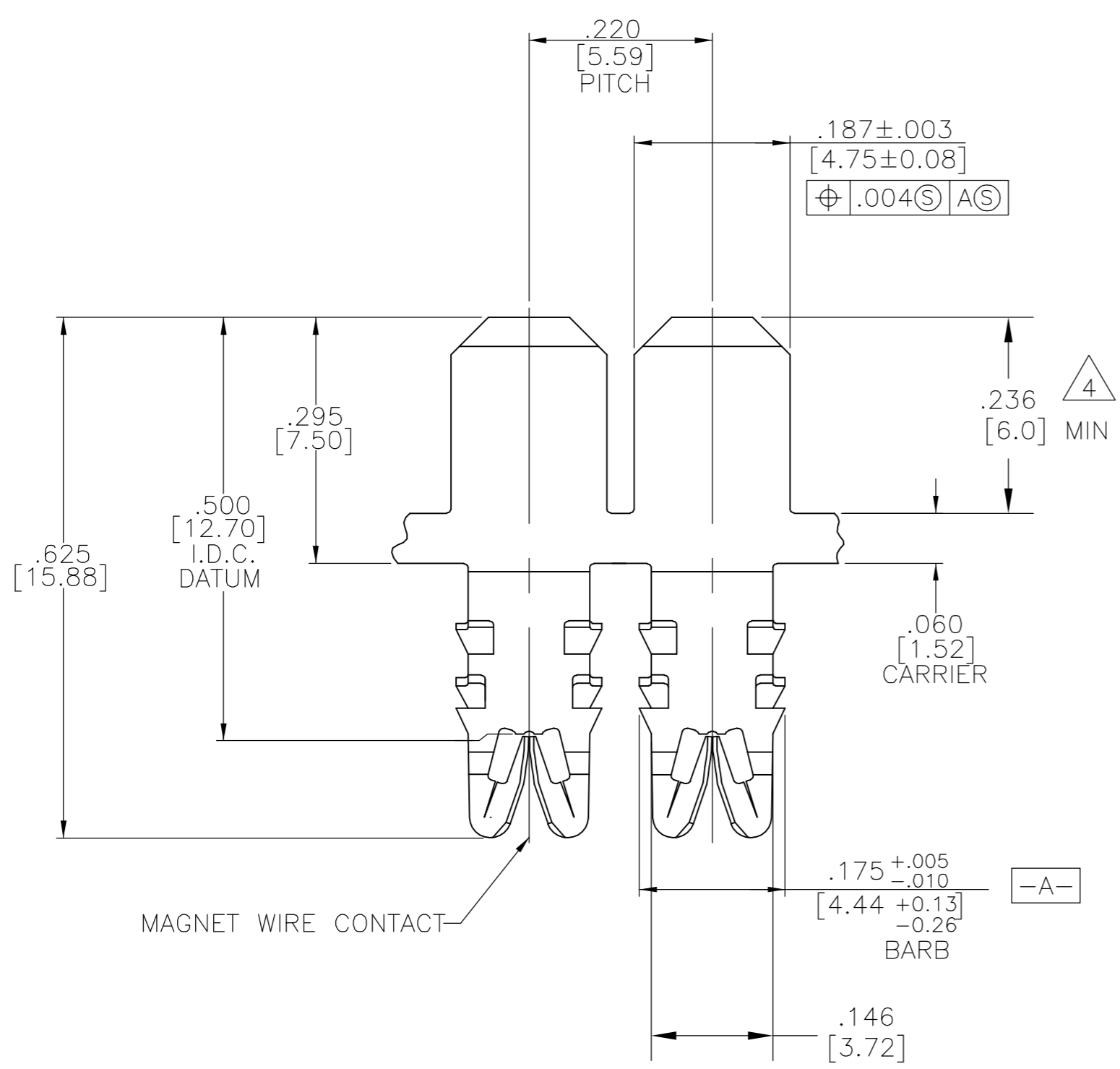
Address: A1208, Overseas Decoration Building, #122 Zhenhua RD., Futian, Shenzhen, China



THIS DRAWING IS UNPUBLISHED. RELEASED FOR PUBLICATION
 © COPYRIGHT BY TYCO ELECTRONICS CORPORATION. ALL RIGHTS RESERVED.

LOC		DIST		REVISIONS			
P	LTR	DESCRIPTION		DATE	DWN	APVD	
	C1	REVISED PER ECR-06-026732		17NOV06	HMR	GJ	

- SPECIFICATIONS:
MAGNET WIRE #18 - #34 AWG, .040"(1.02mm)-.006"(0.16mm) DIA COPPER. OTHER SIZES MAY BE ACCOMMODATED, CONSULT TYCO ELECTRONICS FOR APPROVAL.
- POCKET RECOMMENDATION: #1601425
- TERMINAL APPLICATION TO COMPLY WITH TYCO ELECTRONICS SPECIFICATION 114-13166 FIGURE 6
- ENTIRE TERMINAL IS POST PLATED WITH .000050[1.27 MICRONS] MIN NICKEL. AREA INDICATED ALSO PLATED WITH .000050[1.25 MICRONS] MIN GOLD.
- PRELIMINARY - NOT FOR PRODUCTION



NON-STANDARD	4	5	3-1601174-3
NON-STANDARD	PRE-TIN PLATE		3-1601174-2
STANDARD	PRE-TIN PLATE		1601174-2
-	-		-
PACKAGING	FINISH		PART NUMBER

THIS DRAWING IS A CONTROLLED DOCUMENT.		DWN 27JAN2003 MICHAEL S. FEHER	tyco Electronics		Tyco Electronics Corporation Harrisburg, PA 17105-3608	
DIMENSIONS: INCHES		CHK 27JAN2003 GENE JACONO	NAME			
TOLERANCES UNLESS OTHERWISE SPECIFIED:		APVD 27JAN2003 GENE JACONO	PRODUCT SPEC			
0 PLC ± -		108-2085		STD. RANGE WIRE TO .187 X .032		
1 PLC ± -		APPLICATION SPEC		MULTI-BARB TAB SIAMEZE TERMINAL		
2 PLC ± .01[0.25]		3		SIZE	RESTRICTED TO	
3 PLC ± .005[0.13]		WEIGHT -		A2	-	
4 PLC ± -		FINISH		CAGE CODE	DRAWING NO	
ANGLES ± 2°		SEE TABLE		00779	C=1601174	
MATERIAL BRASS, 1/2 HARD		CUSTOMER DRAWING		SCALE	SHEET	
				6:1	1 of 1	
				REV	C1	