



Chipsmall Limited consists of a professional team with an average of over 10 year of expertise in the distribution of electronic components. Based in Hongkong, we have already established firm and mutual-benefit business relationships with customers from,Europe,America and south Asia,supplying obsolete and hard-to-find components to meet their specific needs.

With the principle of “Quality Parts,Customers Priority,Honest Operation,and Considerate Service”,our business mainly focus on the distribution of electronic components. Line cards we deal with include Microchip,ALPS,ROHM,Xilinx,Pulse,ON,Everlight and Freescale. Main products comprise IC,Modules,Potentiometer,IC Socket,Relay,Connector.Our parts cover such applications as commercial,industrial, and automotives areas.

We are looking forward to setting up business relationship with you and hope to provide you with the best service and solution. Let us make a better world for our industry!



Contact us

Tel: +86-755-8981 8866 Fax: +86-755-8427 6832

Email & Skype: info@chipsmall.com Web: www.chipsmall.com

Address: A1208, Overseas Decoration Building, #122 Zhenhua RD., Futian, Shenzhen, China



THIS DRAWING IS UNPUBLISHED.

RELEASED FOR PUBLICATION

LOC

DIST

REVISIONS

© COPYRIGHT - By -

ALL RIGHTS RESERVED.

E

B

P

LTR

DESCRIPTION

DATE

DWN

APVD

C

REVISED PER ECO-14-000651

05FEB2014

AP

SB

1 FOR LOCAL DATA REFER TO YOUR LOCAL TE CONNECTIVITY SALES OFFICE.

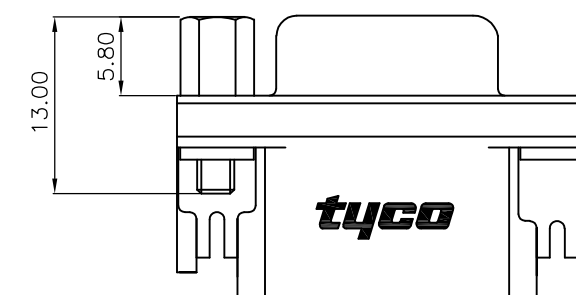
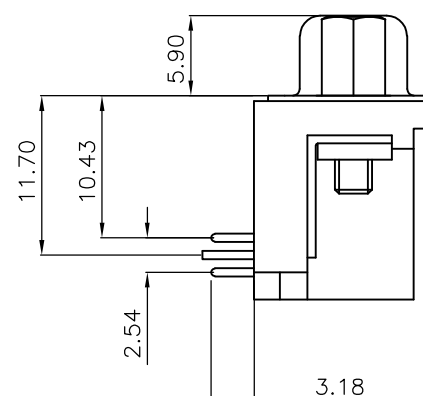
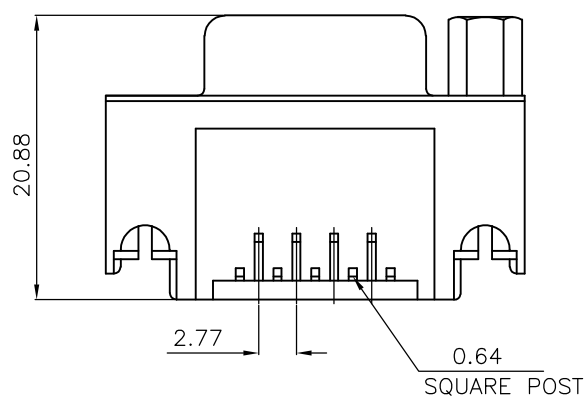
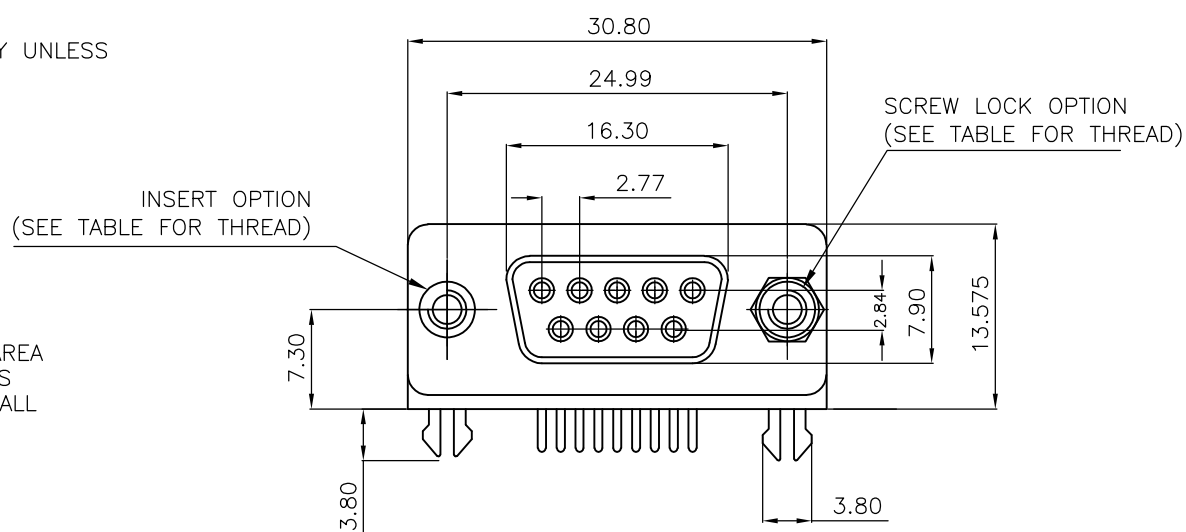
2 ALL DIMENSIONS ARE NOMINAL FOR REFERENCE ONLY UNLESS OTHERWISE STATED.

3 MATERIAL : HOUSING : THERMOPLASTIC, UL94V-0 BLACK COLOR CONTACTS : PHOSPER BRONZE SHELL : STEEL BOARDLOCK : BRASS SCREW : BRASS

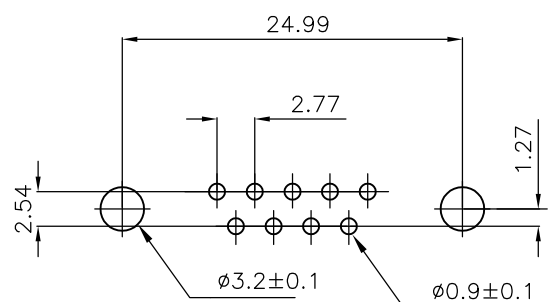
4 FINISH : CONTACT : 0.38µm MIN.GOLD PLATED ON CONTACT AREA 2.54µm MIN. TIN PLATED ON SOLDER TAILS 1.27µm MIN. NICKEL UNDERPLATED OVERALL SHELL : 2.54 µm MIN NICKEL PLATED. BOARD LOCK : 1.52µm MIN. TIN PLATED SCREW : 1.27µm MIN. NICKEL PLATED.

5 CHARACTERISTICS CURRENT RATING : 5A INSULATION RESISTANCE : 1000MOHMS MIN, 500VDC FOR 2MINS. TEMPERATURE RATING : -55DEGC ~ +105DEGC VOLTAGE RATING : 250VDC


6 OBSOLETE PARTS: OBSOLETE CIS STREAMLINING PER D.RENAUD/D.SINISI.



P.C.B. LAYOUT



6 OBSOLETE	9 WAY D SOCKET WITH BOARD LOCKS & 2 x M3 SCREW LOCKS, 0.38µm GOLD, RIGHT ANGLE	4-1634584-2
	9 WAY D SOCKET WITH BOARD LOCKS & 2 x 4-40 SCREW LOCKS, 0.38µm GOLD, RIGHT ANGLE	3-1634584-2
6 OBSOLETE	9 WAY D SOCKET WITH BOARD LOCKS & 2 x M3 INSERTS, 0.38µm GOLD, RIGHT ANGLE	2-1634584-2
	9 WAY D SOCKET WITH BOARD LOCKS & 2 x 4-40 INSERTS, 0.38µm GOLD, RIGHT ANGLE	1-1634584-2
	DESCRIPTION	PART NO.

THIS DRAWING IS A CONTROLLED DOCUMENT.		DWN	J.SANDWELL	15SEP2003	 TE Connectivity
DIMENSIONS: mm		CHK	S.EBBUTT	15SEP2003	
TOLERANCES UNLESS OTHERWISE SPECIFIED:		APVD	F.WHEELER-KING	15SEP2003	
MATERIAL: SEE NOTE		PRODUCT SPEC	NAME: 9 WAY D-SUB SOCKET WITH BOARD LOCK		
FINISH: -		APPLICATION SPEC	-		
MATERIAL: SEE NOTE		WEIGHT	-		RESTRICTED TO: -
		CUSTOMER DRAWING		SCALE: NTS	SHEET: 1 OF 2
				REV: C	

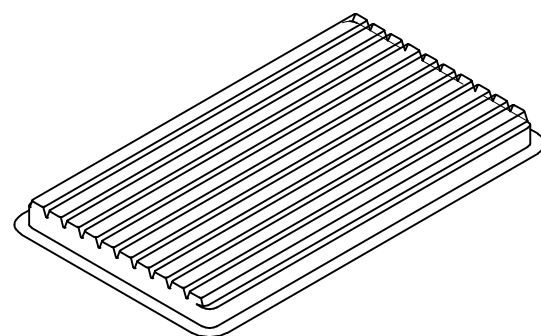
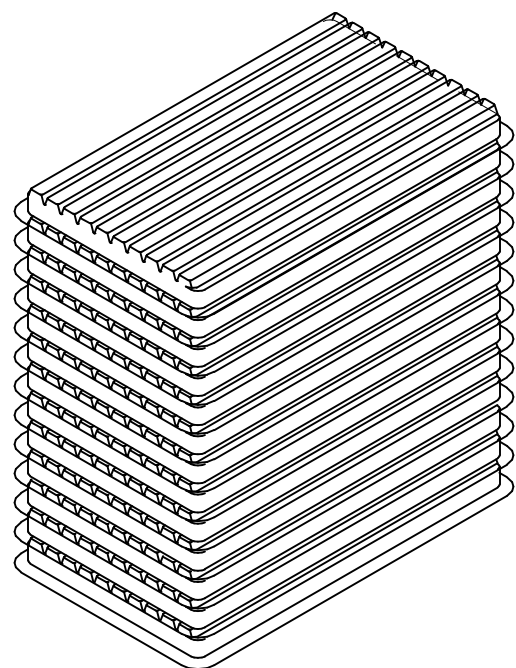
THIS DRAWING IS UNPUBLISHED.

RELEASED FOR PUBLICATION

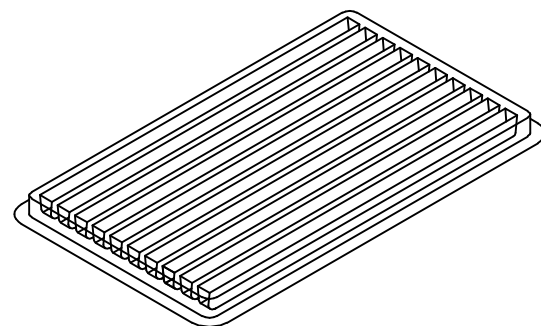
© COPYRIGHT - By -

ALL RIGHTS RESERVED.

LOC	DIST	REVISIONS			
P	LTR	DESCRIPTION	DATE	DWN	APVD
	-	SEE SHEET 1	-	-	-



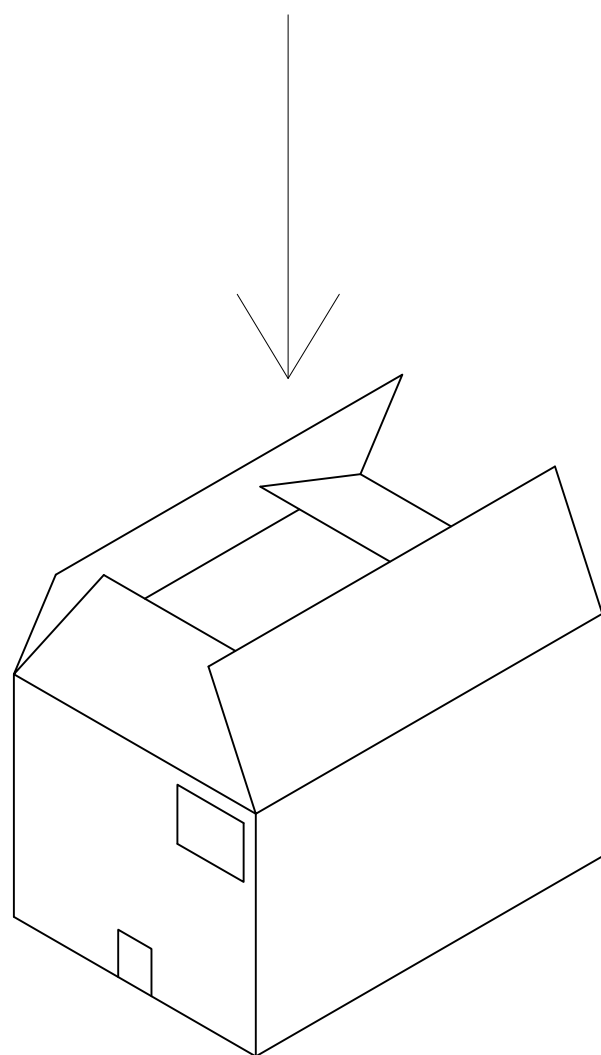
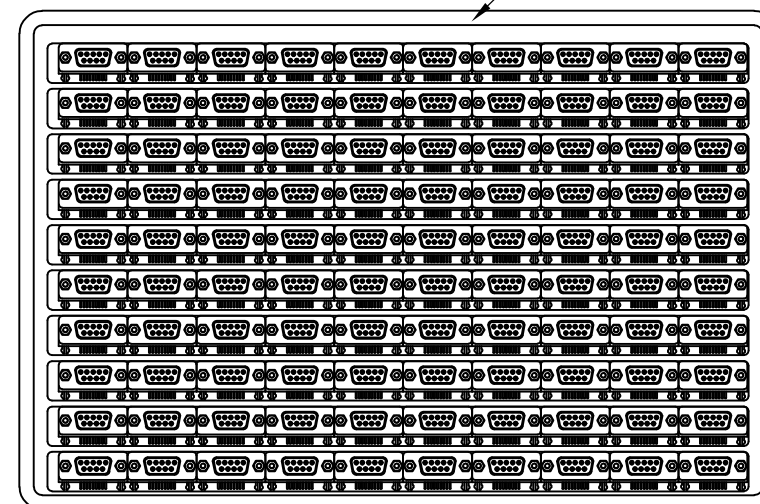
COVER


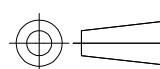


TRAY

- 1 DIMENSION:
TRAY:L=310,W=220,H=23
SHIPPING BOX:L=335,W=230,H=320
- 2 QUANTITY:
90 PCS/TRAY
13 TRAY/SHIPPING BOX

Tray Layout



THIS DRAWING IS A CONTROLLED DOCUMENT.		DWN J.SANDWELL 15SEP2003	 TE Connectivity				
DIMENSIONS: mm		CHK S.EBBUTT 15SEP2003					
		APVD F.WHEELER-KING 15SEP2003	NAME 9 WAY D-SUB SOCKET WITH BOARD LOCK				
TOLERANCES UNLESS OTHERWISE SPECIFIED: 0 PLC ± - 1 PLC ± - 2 PLC ± - 3 PLC ± - 4 PLC ± - ANGLES ± -		PRODUCT SPEC -	APPLICATION SPEC -				
MATERIAL SEE NOTE		FINISH -	WEIGHT -	SIZE A3	CAGE CODE 00779	DRAWING NO C-1634584	RESTRICTED TO -
CUSTOMER DRAWING			SCALE NTS	SHEET 2 OF 2	REV C		