



Chipsmall Limited consists of a professional team with an average of over 10 year of expertise in the distribution of electronic components. Based in Hongkong, we have already established firm and mutual-benefit business relationships with customers from,Europe,America and south Asia,supplying obsolete and hard-to-find components to meet their specific needs.

With the principle of “Quality Parts,Customers Priority,Honest Operation,and Considerate Service”,our business mainly focus on the distribution of electronic components. Line cards we deal with include Microchip,ALPS,ROHM,Xilinx,Pulse,ON,Everlight and Freescale. Main products comprise IC,Modules,Potentiometer,IC Socket,Relay,Connector.Our parts cover such applications as commercial,industrial, and automotives areas.

We are looking forward to setting up business relationship with you and hope to provide you with the best service and solution. Let us make a better world for our industry!



Contact us

Tel: +86-755-8981 8866 Fax: +86-755-8427 6832

Email & Skype: info@chipsmall.com Web: www.chipsmall.com

Address: A1208, Overseas Decoration Building, #122 Zhenhua RD., Futian, Shenzhen, China



THIS DRAWING IS UNPUBLISHED. RELEASED FOR PUBLICATION
 © COPYRIGHT 2010 BY TYCO ELECTRONICS CORPORATION. ALL RIGHTS RESERVED.

LOC	DIST	REVISIONS					
DW		P	LTR	DESCRIPTION	DATE	DWN	APVD
			C4	REVISED (ECR-11-005224, ADD PN 5-1734577-4)	11MAR'11	E.L.	W.K.

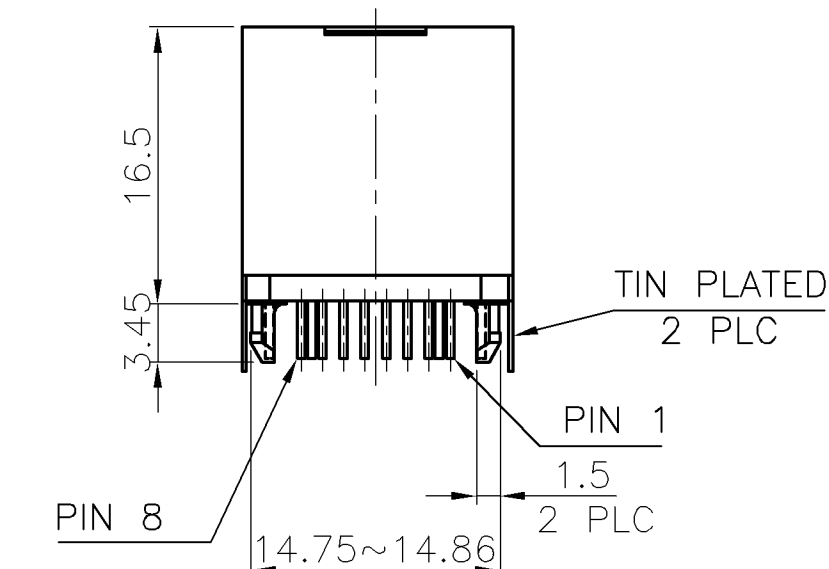
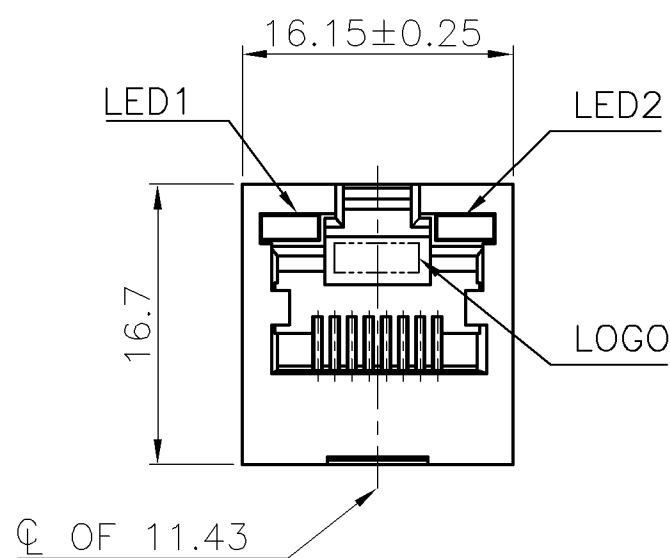
LED SCHEMATIC	
LED1	LED2
GREEN	YELLOW
9- +10	11- +12
FOR 1734577-X	

LED SCHEMATIC	
LED1	LED2
GREEN	GREEN
9- +10	11- +12
FOR 1-1734577-X	

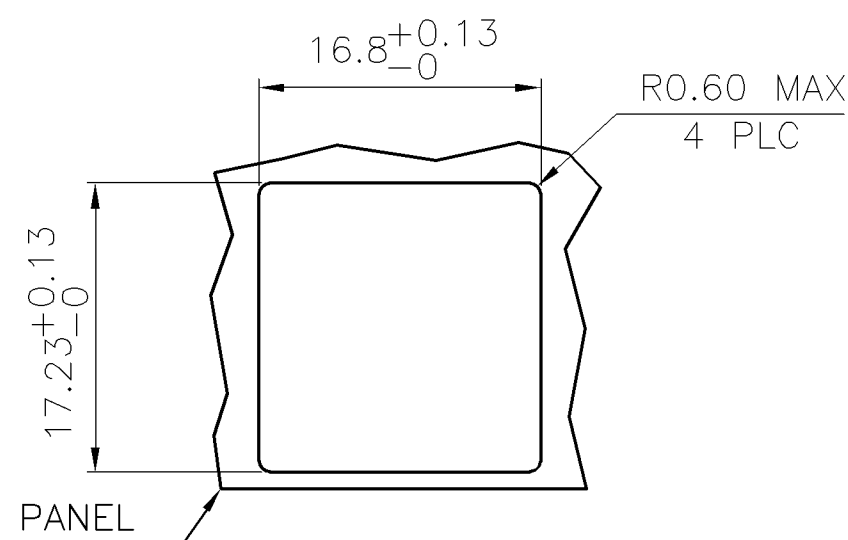
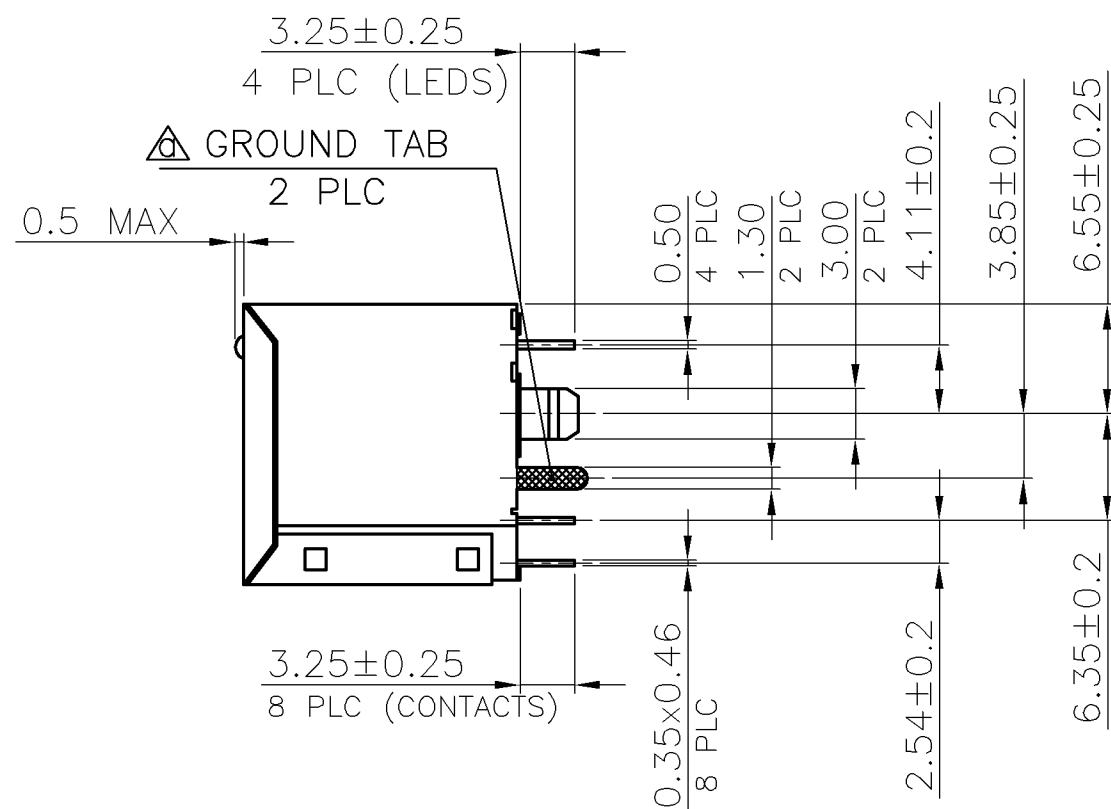
LED SCHEMATIC	
LED1	LED2
RED	RED
GREEN	GREEN
9- +10	11- +12
FOR 2-1734577-X	

LED SCHEMATIC	
LED1	LED2
YELLOW	GREEN
ORANGE	
9- +10	11- +12
FOR 4-1734577-1	

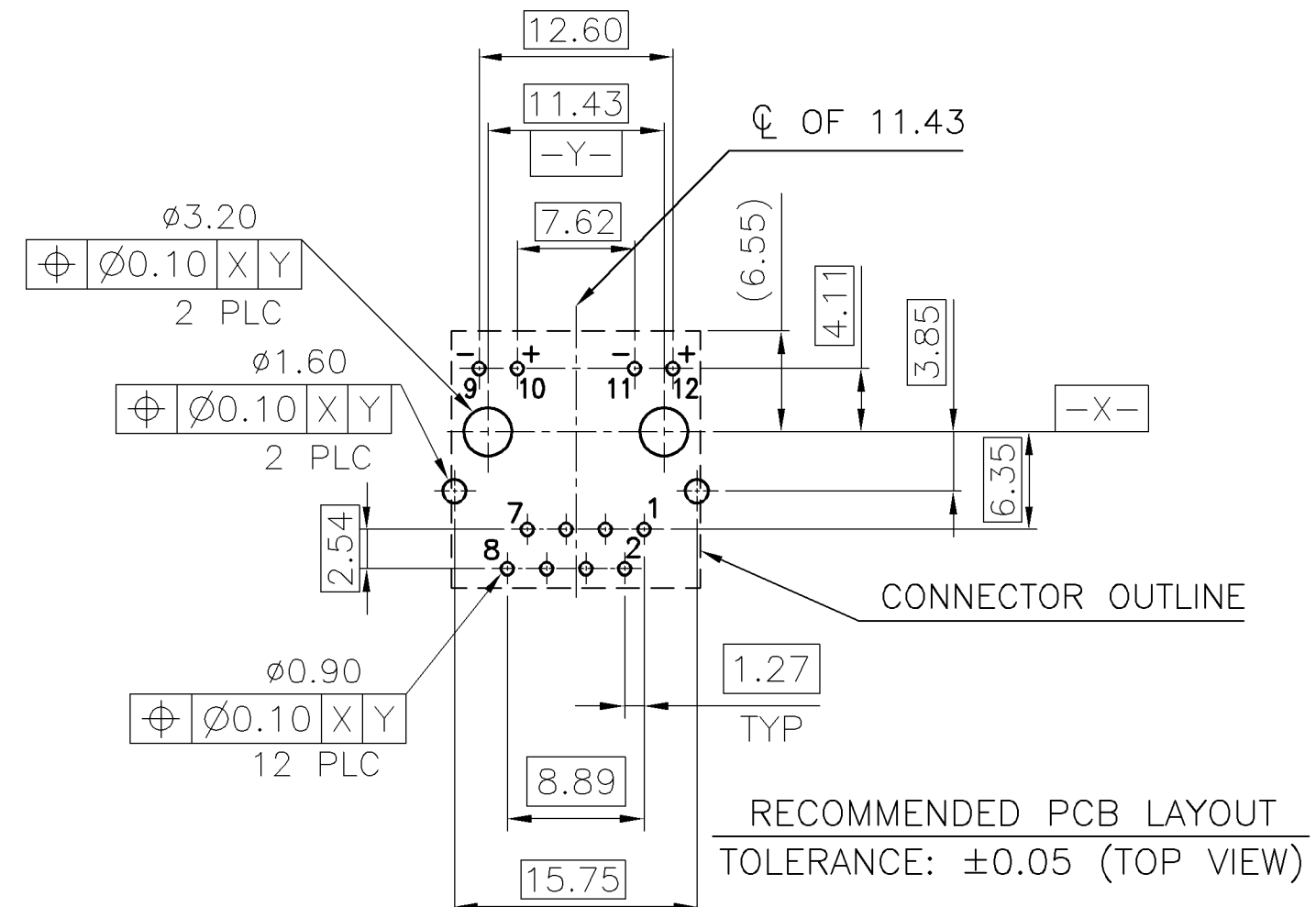
LED SCHEMATIC	
LED1	LED2
RED	RED
YELLOW	GREEN
9- +10	11- +12
FOR 5-1734577-X	



MODULAR JACK WITH LED



RECOMMENDED SUGGESTED PANEL CUTOUT



- NOTE:
- MATERIAL:
 - HOUSING: PA46, WITH 30% GF, UL94 V-0, BLACK COLOR.
 - CONTACTS: PHOSPHOR BRONZE.
 - SHELL: BRASS.
 - LED SOLDER TAIL: STEEL.
 - FINISH:
 - CONTACTS: (SEE TABLE) GOLD PLATED ON CONTACT AREA, GOLD FLASH ON SOLDER TAIL AREA, 1.27um [50u"] MIN. NICKEL UNDERPLATING OVERALL. SHELL: 0.508um [20u"] MIN. NICKEL PLATED.
 - a POST DIPPED WITH TIN ON PCB GROUND TABS.
 - LED SOLDER TAIL: 2.159um [85u"] MIN. BRIGHT-TIN PLATED.
 - LED MUST BE REFLOW COMPATIBLE TO FOLLOWING TEMPERATURE PROFILE (FOR 1 CYCLE): ABOVE 160°C FOR 120 SECONDS, PEAKING AT 245°C FOR 20~40 SECONDS.
 - LED DEFECT RATE IS 6000PPM MAX. AFTER IR REFLOW PROCESS AS NOTE 3.
 - WAVE SOLDER CAPABLE TO 265°C PER TE SPEC 109-202, CONDITION B.
 - OBSOLETE PARTS: OBSOLETE CIS STREAMLINING PER D.RENAUD/D.SINISI

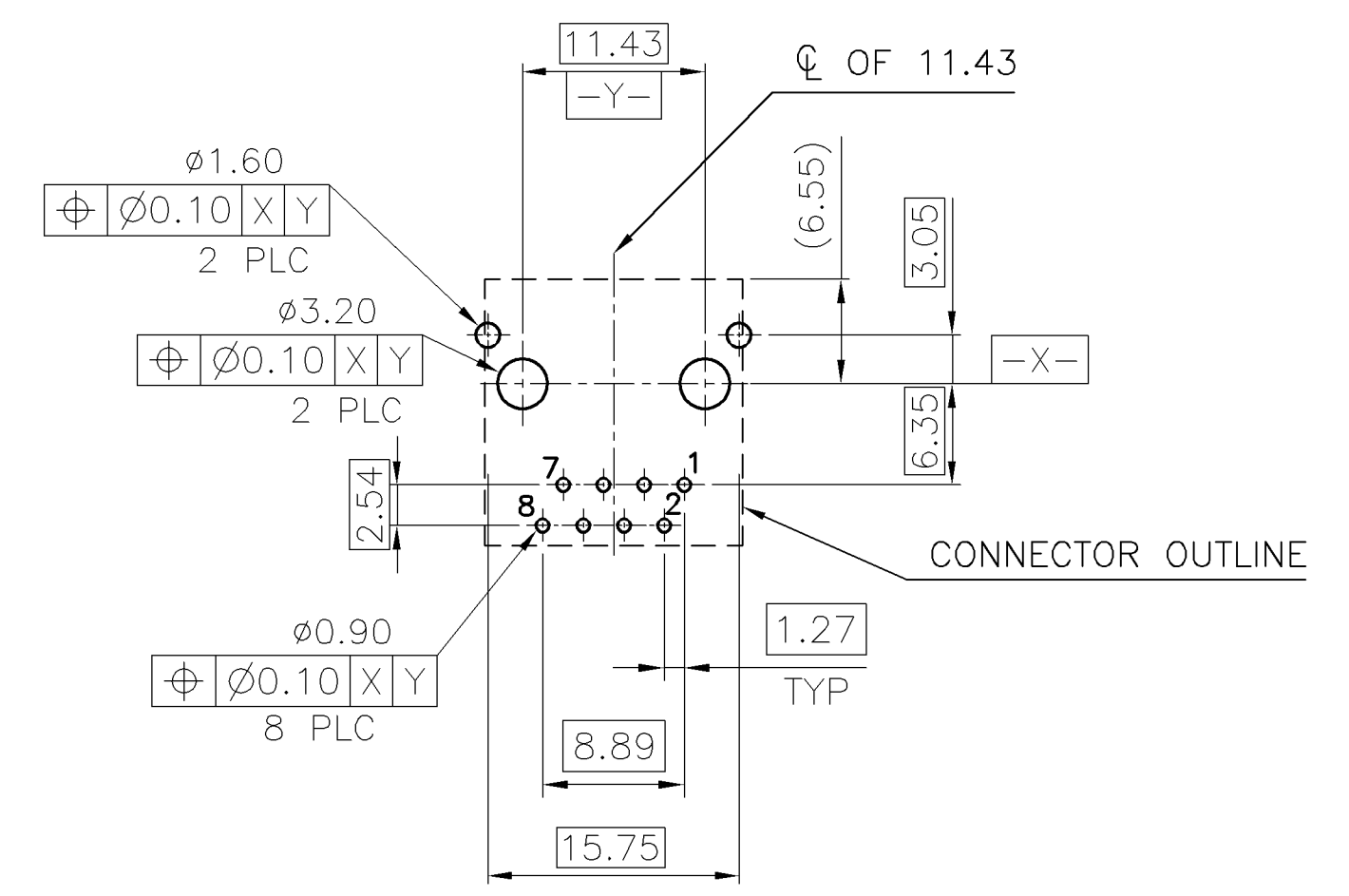
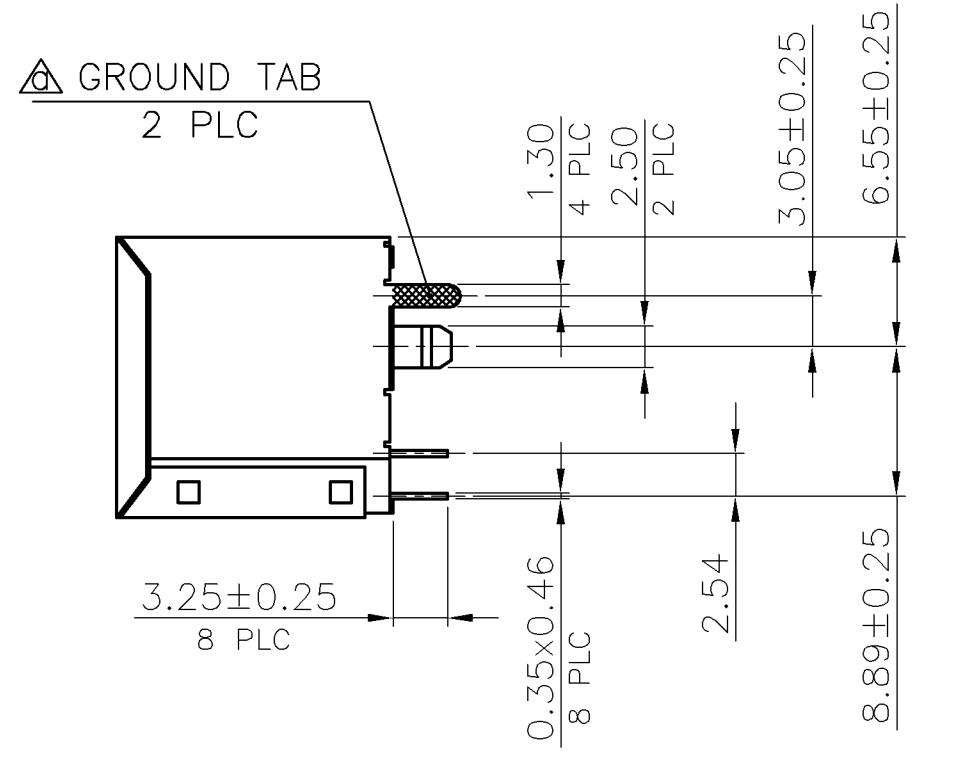
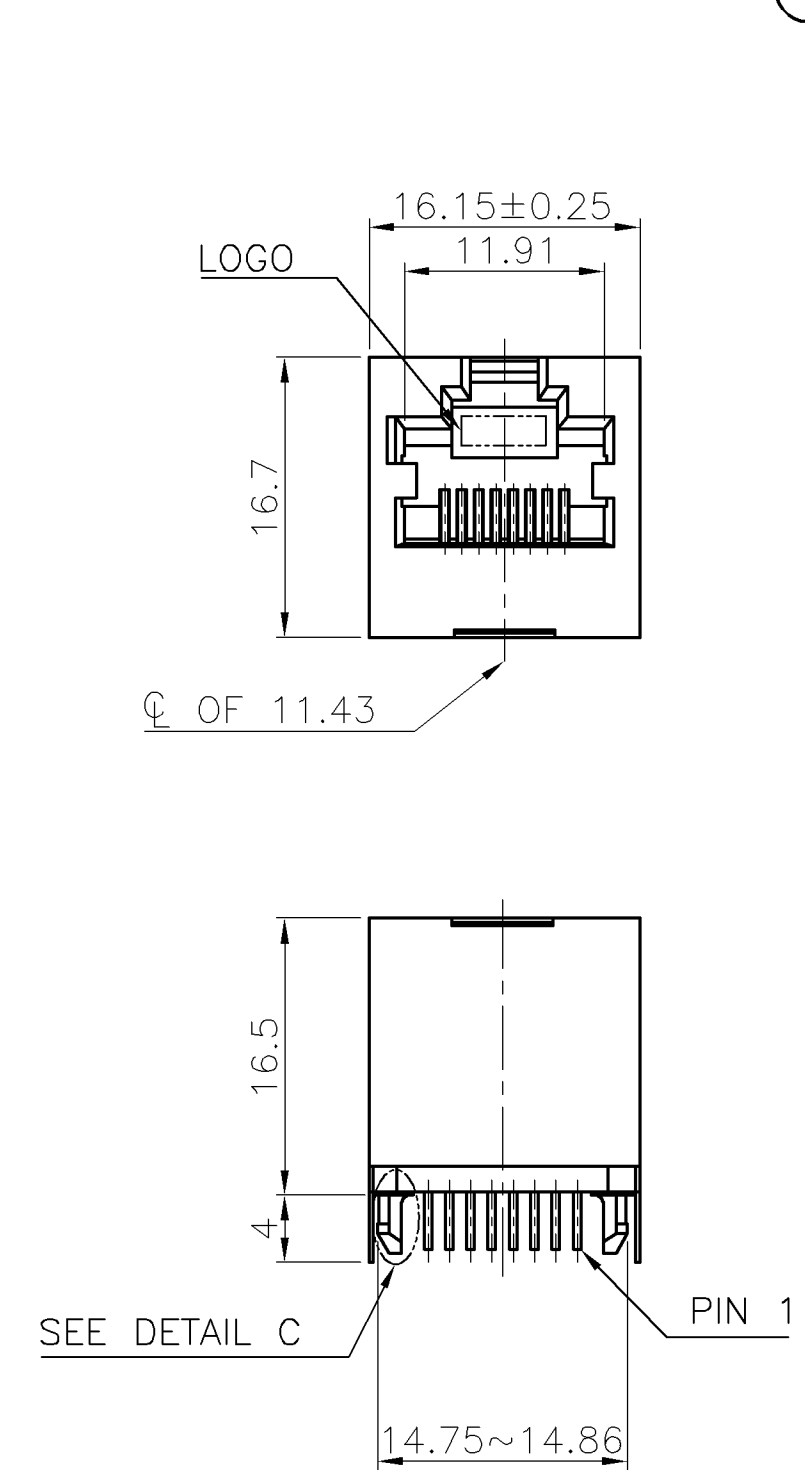
OBSOLETE	RED/GREEN	RED/YELLOW	1.27um [50u"]	5-1734577-4
	GREEN/ORANGE	YELLOW	0.762um [30u"]	4-1734577-1
OBSOLETE	RED/GREEN	RED/GREEN	1.27um [50u"]	2-1734577-4
			0.762um [30u"]	2-1734577-3
			0.381um [15u"]	2-1734577-2
OBSOLETE	GREEN	GREEN	1.27um [50u"]	1-1734577-4
			0.762um [30u"]	1-1734577-3
			0.381um [15u"]	1-1734577-2
	YELLOW	GREEN	1.27um [50u"]	1734577-4
			0.762um [30u"]	1734577-3
			0.381um [15u"]	1734577-2
	LED2	LED1	MIN. GOLD THICKNESS	PART NUMBER
	INDICATOR COLOR			

THIS DRAWING IS A CONTROLLED DOCUMENT.		DWN B. HSING 21JUL2009		TE Connectivity MODULAR JACK CONNECTOR RJ45, 8P8C, VERTICAL, DIP TYPE			
DIMENSIONS: mm		TOLERANCES UNLESS OTHERWISE SPECIFIED:				NAME	
		0 PLC ± - 1 PLC ± 0.3 2 PLC ± 0.2 3 PLC ± 0.15 4 PLC ± - ANGLES ± 3°				CHK S. CHIEN 21JUL2009 APVD W. KODAMA 21JUL2009 PRODUCT SPEC 108-57527 APPLICATION SPEC	
MATERIAL SEE NOTE		FINISH SEE NOTE				SIZE CAGE CODE DRAWING NO RESTRICTED TO WEIGHT 6.55 GRAMS A3 00779 C=1734577 CUSTOMER DRAWING SCALE SHEET 1 OF 3 REV C4	

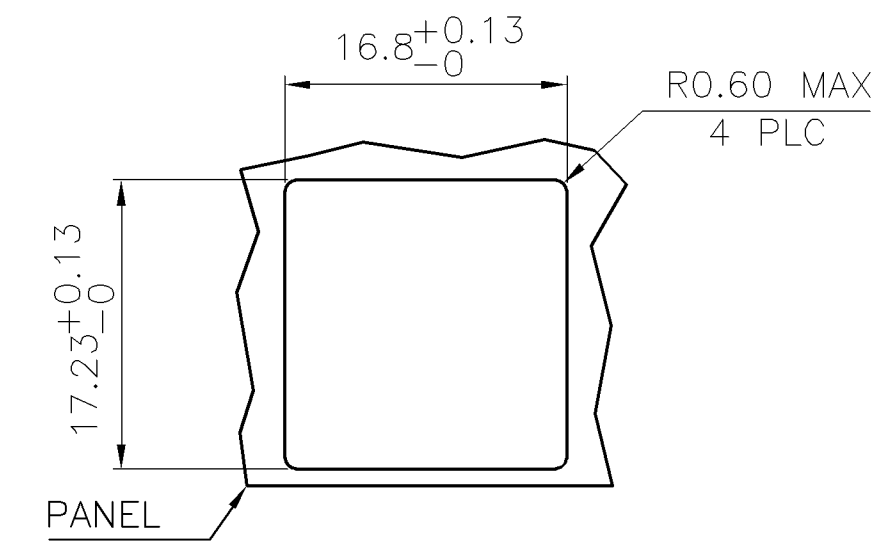
THIS DRAWING IS UNPUBLISHED. RELEASED FOR PUBLICATION
 © COPYRIGHT 2010 BY TYCO ELECTRONICS CORPORATION. ALL RIGHTS RESERVED.

LOC	DIST	REVISIONS					
DW		P	LTR	DESCRIPTION	DATE	DWN	APVD
				SEE SHEET 1.			

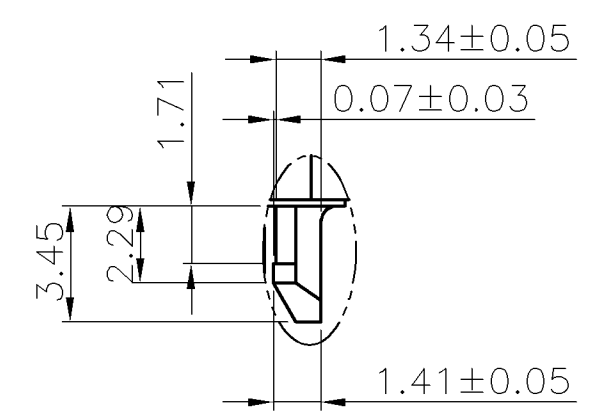
MODULAR JACK WITHOUT LED



RECOMMENDED PCB LAYOUT
 TOLERANCE: ±0.05 (TOP VIEW)



RECOMMENDED SUGGESTED PANEL CUTOUT



DETAIL C (SCALE 2:1)

- NOTE:
- MATERIAL:
 HOUSING: PA46, WITH 30% GF, UL94 V-0, BLACK COLOR.
 CONTACTS: PHOSPHOR BRONZE.
 SHELL: BRASS.
 - FINISH:
 CONTACTS: (SEE TABLE) GOLD PLATED ON CONTACT AREA,
 GOLD FLASH ON SOLDER TAIL,
 WITH ENTIRE CONTACT UNDERPLATED
 1.27µm [50µ"] MIN. NICKEL.
 SHELL: 0.508µm [20µ"] MIN. NICKEL PLATED.
 POST DIPPED WITH TIN ON PCB GROUND TABS.
 - WAVE SOLDER CAPABLE TO 265°C PER TE SPEC 109-202, CONDITION B.
 - OBSOLETE PARTS: OBSOLETE CIS STREAMLINING PER D.RENAUD/D.SINISI

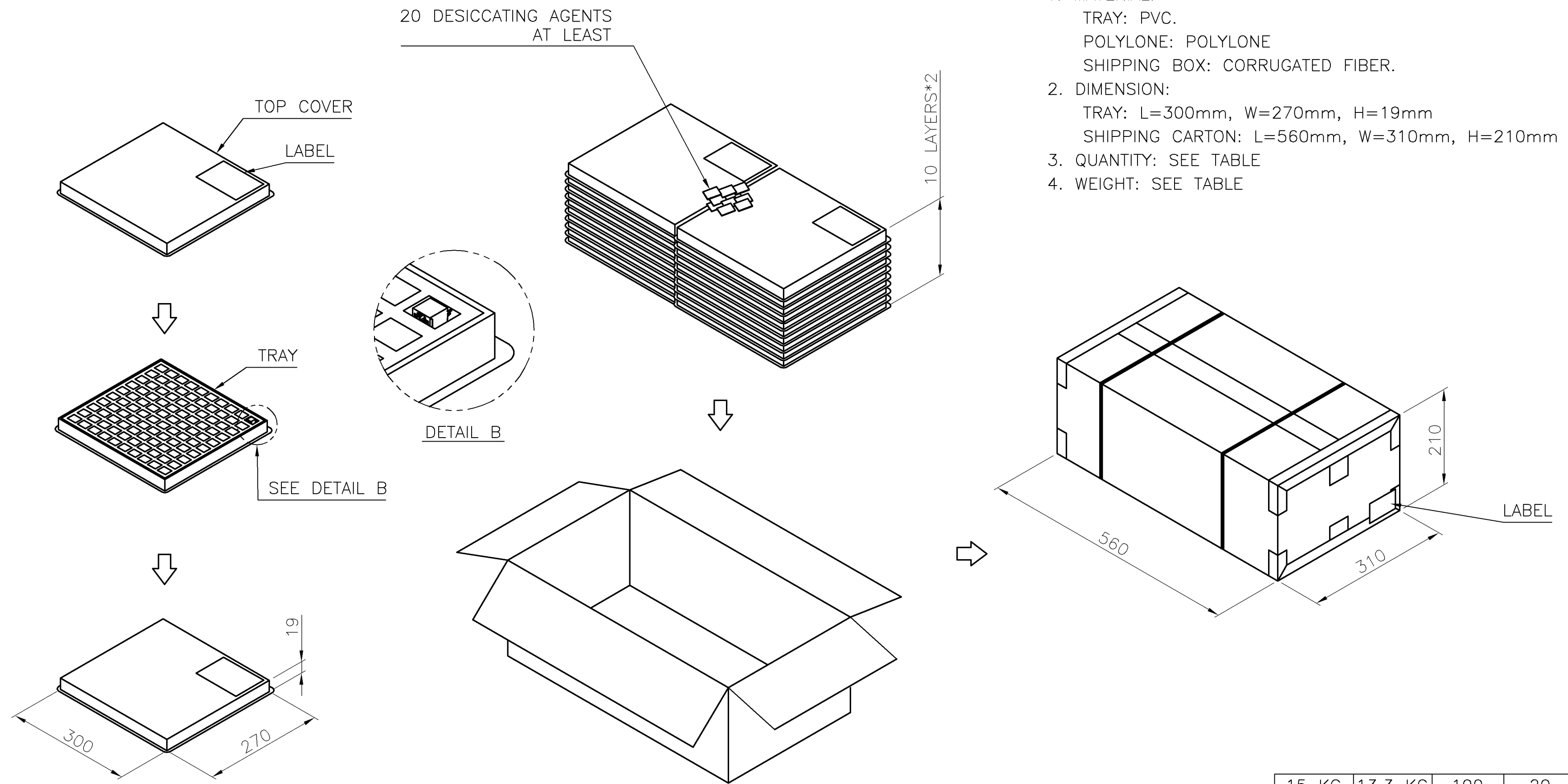
△	1.27µm [50µ"]	3-1734577-5
	1.27µm [50µ"]	3-1734577-4
△	0.762µm [30µ"]	3-1734577-3
	0.381µm [15µ"]	3-1734577-2
	0.152µm [6µ"]	3-1734577-1
	MIN. GOLD THICKNESS	PART NUMBER

THIS DRAWING IS A CONTROLLED DOCUMENT.		DWN	TE Connectivity			
DIMENSIONS: mm		CHK				
TOLERANCES UNLESS OTHERWISE SPECIFIED:		APVD	NAME			
0 PLC ± -		PRODUCT SPEC	MODULAR JACK CONNECTOR			
1 PLC ± 0.3		APPLICATION SPEC	RJ45, 8P8C, VERTICAL, DIP TYPE			
2 PLC ± 0.2			SIZE	CAGE CODE	DRAWING NO	RESTRICTED TO
3 PLC ± 0.15			A3	00779	C-1734577	
4 PLC ± -			CUSTOMER DRAWING			
ANGLES ± 3°		WEIGHT 6.7 GRAMS	SCALE	SHEET	REV	
FINISH		CUSTOMER DRAWING		2 OF 3	C4	

THIS DRAWING IS UNPUBLISHED. RELEASED FOR PUBLICATION
 © COPYRIGHT 2010 BY TYCO ELECTRONICS CORPORATION. ALL RIGHTS RESERVED.

LOC DW	DIST /	REVISIONS			
P	LTR	DESCRIPTION	DATE	DWN	APVD
		SEE SHEET 1.			

- NOTES:
- MATERIAL:
 TRAY: PVC.
 POLYLONE: POLYLONE
 SHIPPING BOX: CORRUGATED FIBER.
 - DIMENSION:
 TRAY: L=300mm, W=270mm, H=19mm
 SHIPPING CARTON: L=560mm, W=310mm, H=210mm
 - QUANTITY: SEE TABLE
 - WEIGHT: SEE TABLE



15 KG	13.3 KG	100	20	2000
GROSS WEIGHT	NET WEIGHT	PCS/TRAY	TRAY/BOX	PCS/BOX

THIS DRAWING IS A CONTROLLED DOCUMENT.		DWN	TE Connectivity		
DIMENSIONS: mm		CHK	NAME		
		APVD	MODULAR JACK CONNECTOR RJ45, 8P8C, VERTICAL, DIP TYPE		
TOLERANCES UNLESS OTHERWISE SPECIFIED:		PRODUCT SPEC	SIZE	CAGE CODE	DRAWING NO
0 PLC	± -	APPLICATION SPEC	A3	00779	C=1734577
1 PLC	± 0.3	WEIGHT	RESTRICTED TO		
2 PLC	± 0.2	CUSTOMER DRAWING	SCALE	SHEET	REV
3 PLC	± 0.15		-	3 OF 3	C4
4 PLC	± -				
ANGLES	± 3°				
MATERIAL	FINISH				