



Chipsmall Limited consists of a professional team with an average of over 10 year of expertise in the distribution of electronic components. Based in Hongkong, we have already established firm and mutual-benefit business relationships with customers from,Europe,America and south Asia,supplying obsolete and hard-to-find components to meet their specific needs.

With the principle of “Quality Parts,Customers Priority,Honest Operation,and Considerate Service”,our business mainly focus on the distribution of electronic components. Line cards we deal with include Microchip,ALPS,ROHM,Xilinx,Pulse,ON,Everlight and Freescale. Main products comprise IC,Modules,Potentiometer,IC Socket,Relay,Connector.Our parts cover such applications as commercial,industrial, and automotives areas.

We are looking forward to setting up business relationship with you and hope to provide you with the best service and solution. Let us make a better world for our industry!



Contact us

Tel: +86-755-8981 8866 Fax: +86-755-8427 6832

Email & Skype: info@chipsmall.com Web: www.chipsmall.com

Address: A1208, Overseas Decoration Building, #122 Zhenhua RD., Futian, Shenzhen, China



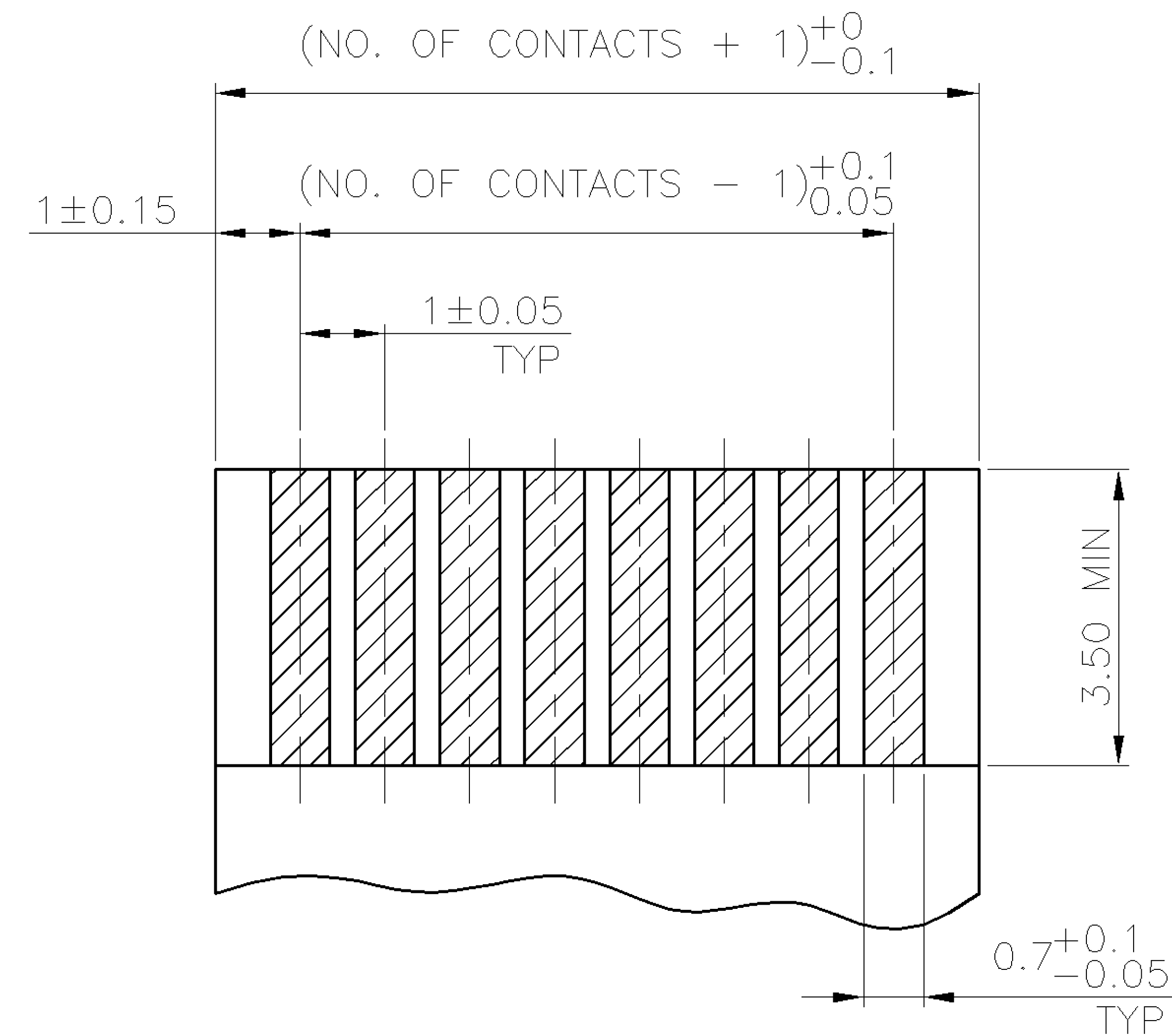
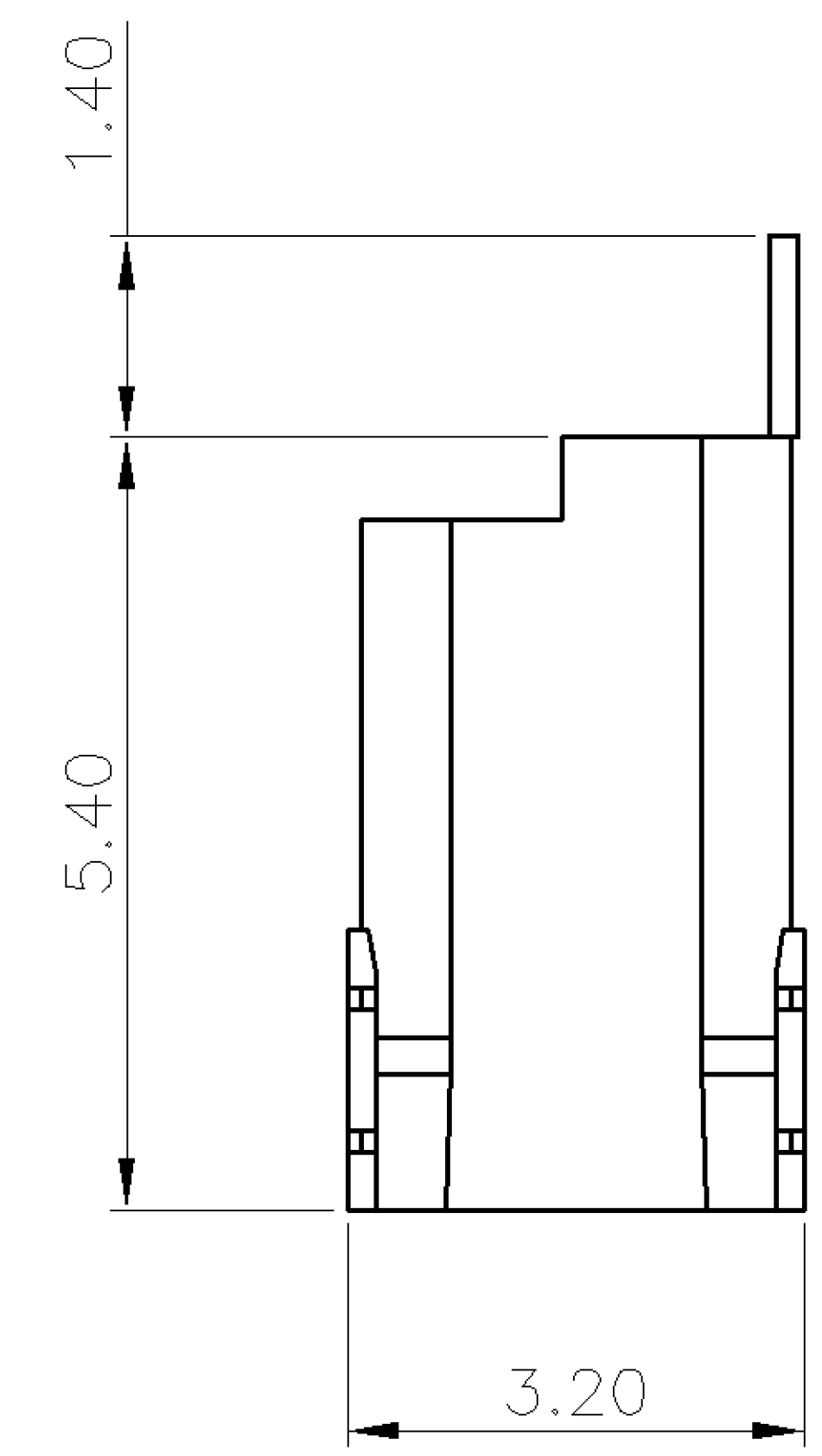
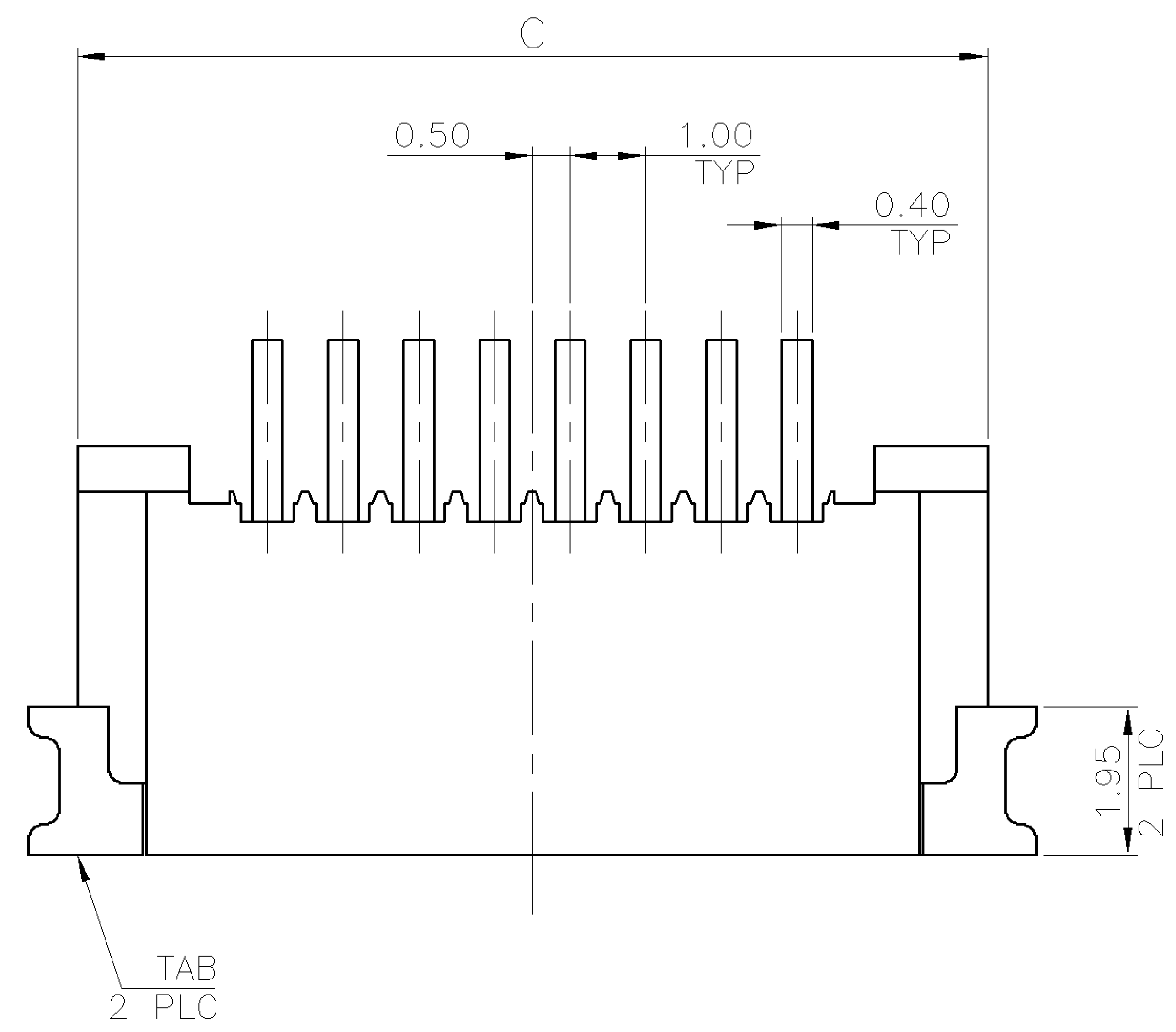
NUMBER
C-1734798

3RD ANGLE PROJECTION

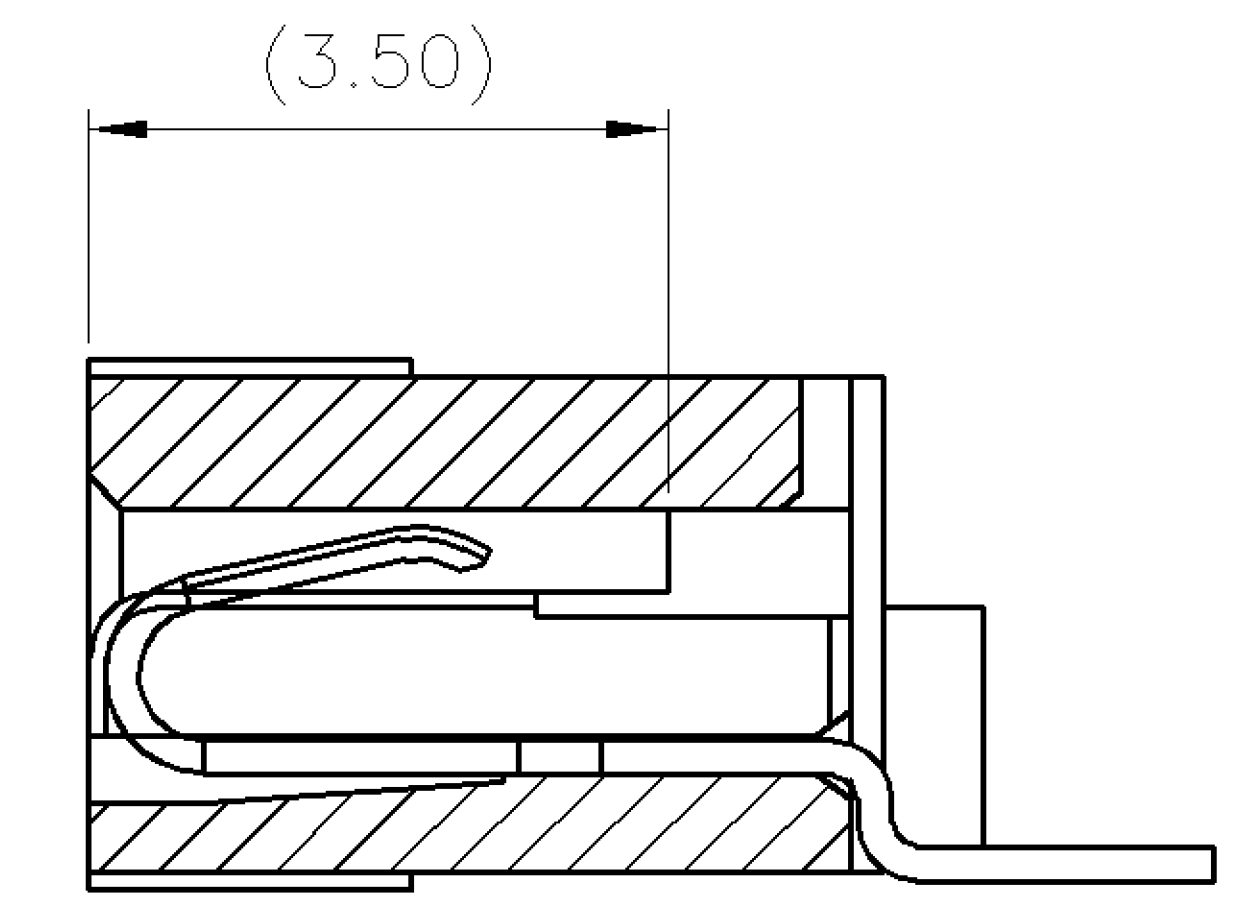
METRIC

DIMENSIONS IN MILLIMETERS. DO NOT SCALE PRINT.

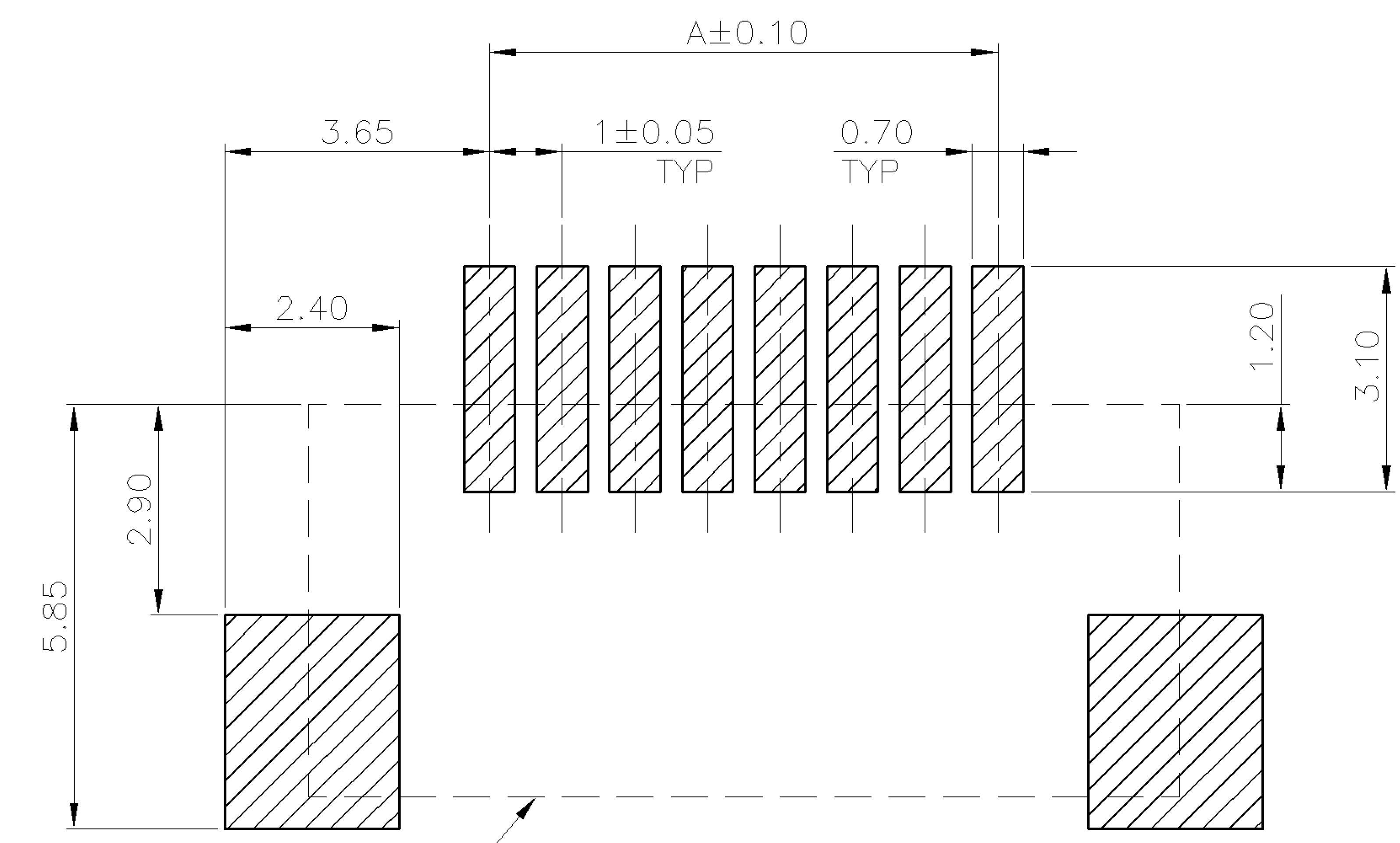
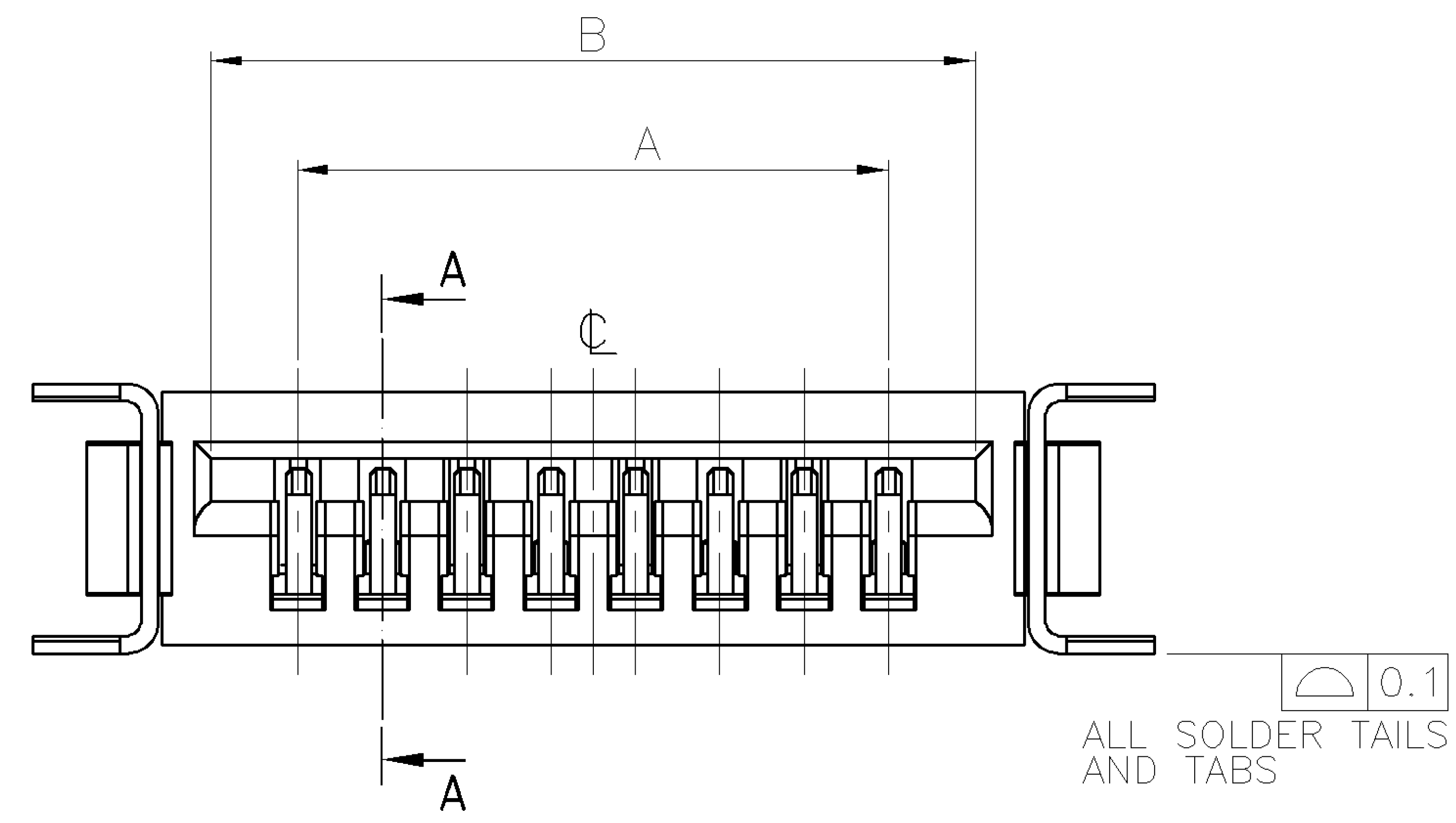
PRINT DIST
DW



RECOMMENDED FPC LAYOUT
(THICKNESS = 0.3 ± 0.05)



SECTION A-A



RECOMMENDED PCB LAYOUT

0.77g	34.00	31.05	29.00	30	3-1734798-0
0.76g	33.00	30.05	28.00	29	2-1734798-9
0.73g	32.00	29.05	27.00	28	2-1734798-8
0.70g	31.00	28.05	26.00	27	2-1734798-7
0.68g	30.00	27.05	25.00	26	2-1734798-6
0.65g	29.00	26.05	24.00	25	2-1734798-5
0.63g	28.00	25.05	23.00	24	2-1734798-4
0.60g	27.00	24.05	22.00	23	2-1734798-3
0.57g	26.00	23.05	21.00	22	2-1734798-2
0.55g	25.00	22.05	20.00	21	2-1734798-1
0.52g	24.00	21.05	19.00	20	2-1734798-0
0.49g	23.00	20.05	18.00	19	1-1734798-9
0.47g	22.00	19.05	17.00	18	1-1734798-8
0.44g	21.00	18.05	16.00	17	1-1734798-7
0.42g	20.00	17.05	15.00	16	1-1734798-6
0.39g	19.00	16.05	14.00	15	1-1734798-5
0.36g	18.00	15.05	13.00	14	1-1734798-4
0.34g	17.00	14.05	12.00	13	1-1734798-3
0.31g	16.00	13.05	11.00	12	1-1734798-2
0.29g	15.00	12.05	10.00	11	1-1734798-1
0.26g	14.00	11.05	9.00	10	1-1734798-0
0.23g	13.00	10.05	8.00	9	1734798-9
0.21g	12.00	9.05	7.00	8	1734798-8
0.18g	11.00	8.05	6.00	7	1734798-7
0.16g	10.00	7.05	5.00	6	1734798-6
0.13g	9.00	6.05	4.00	5	1734798-5
0.10g	8.00	5.05	3.00	4	1734798-4
WEIGHT	C	B	A	NO. OF CONTACTS	PART NUMBER

- NOTE:
- MATERIAL:
HOUSING: THERMOPLASTIC WITH 33% GF, UL 94V-0, BLACK COLOR.
CONTACTS: PHOSPHOR BRONZE.
TABS: BRASS.
 - FINISH:
CONTACTS: 120μ" MIN. MATTE-TIN OVER 50μ" MIN. NICKEL ON ENTIRE CONTACT.
TABS: 120μ" MIN. MATTE-TIN OVER 50μ" MIN. NICKEL.
 - REFLOW SOLDER CAPABLE TO 260°C AS PER TE Connectivity SPEC. 109-201, CONDITION B.
 - NO TYCO LOGO AND DATE CODE ON THE PRODUCT.

TOLERANCES UNLESS OTHERWISE SPECIFIED: 0 PLC ±- 1 PLC ±0.15 2 PLC ±0.1 3 PLC ±- ANGLES ±-	DWN A. WU 17-NOV-2005	TE Connectivity NAME FPC CONNECTOR, 1.0 PITCH, NON-ZIF, SMT, SIDE ENTRY, BOTTOM CONTACT		
MATERIAL SEE NOTE	CHK S. HOU 17-NOV-2005	APVD T. KE 17-NOV-2005	PRODUCT SPEC 108-57354	
FINISH SEE NOTE	APPLICATION SPEC -		LOC DW	SIZE A ₃
	WEIGHT SEE TABLE		DRAWING NO C-1734798	REV A1
	SCALE --		SHEET 1 OF 2	

A1	REVISED PER ECO-11-005301	RK HMR	5APR11
LTR	REVISION RECORD	DWN CHK	DATE

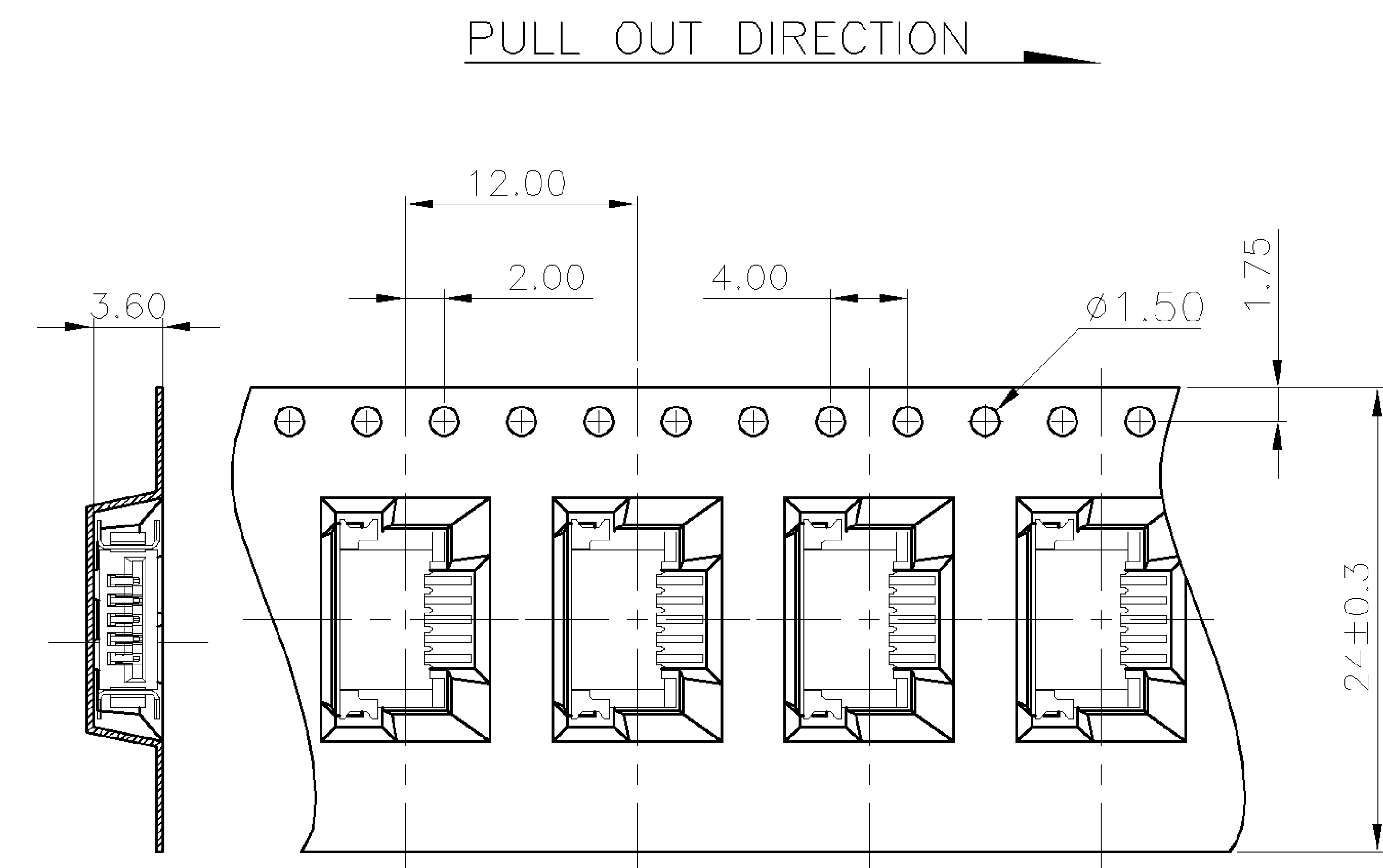
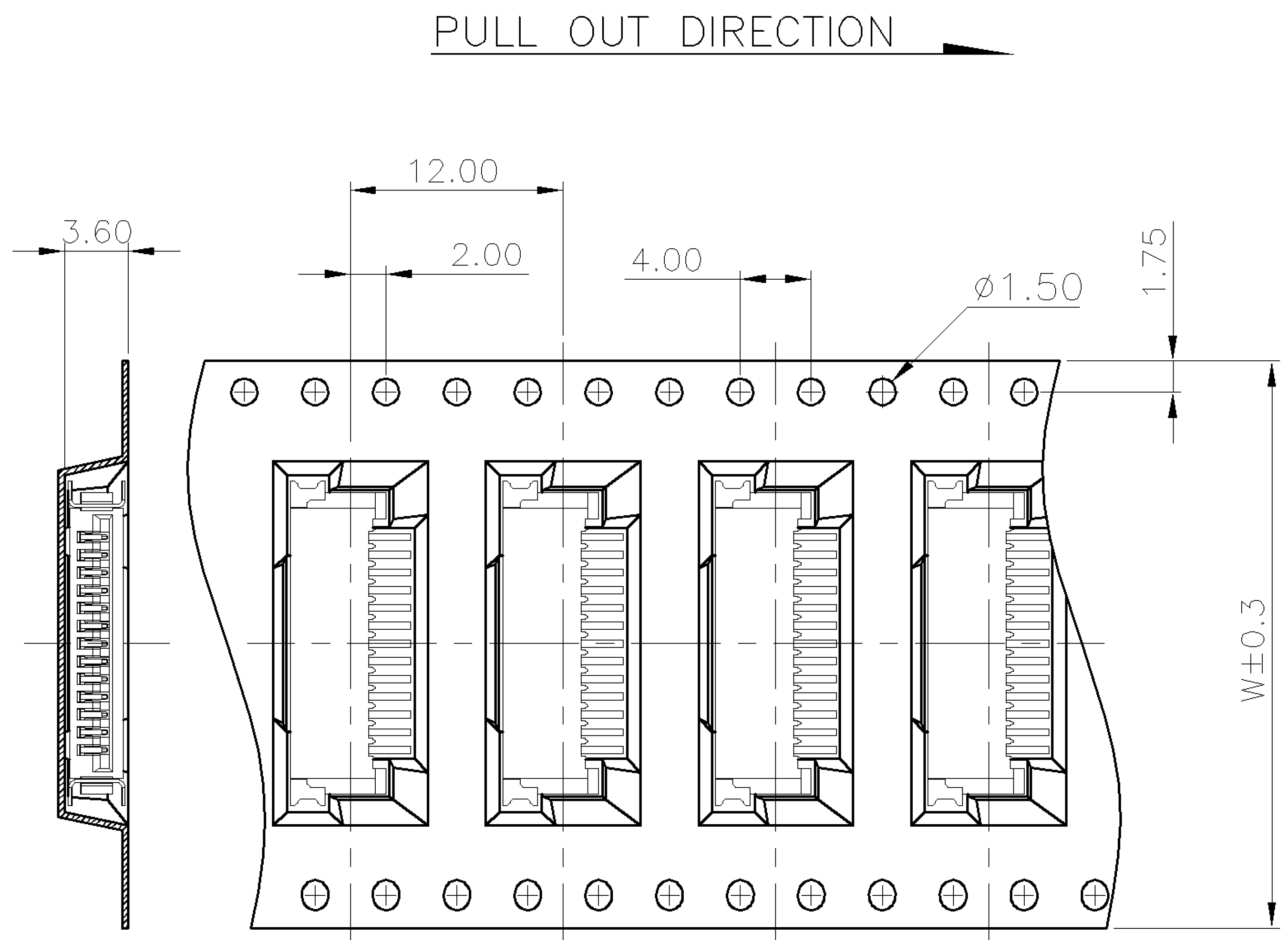
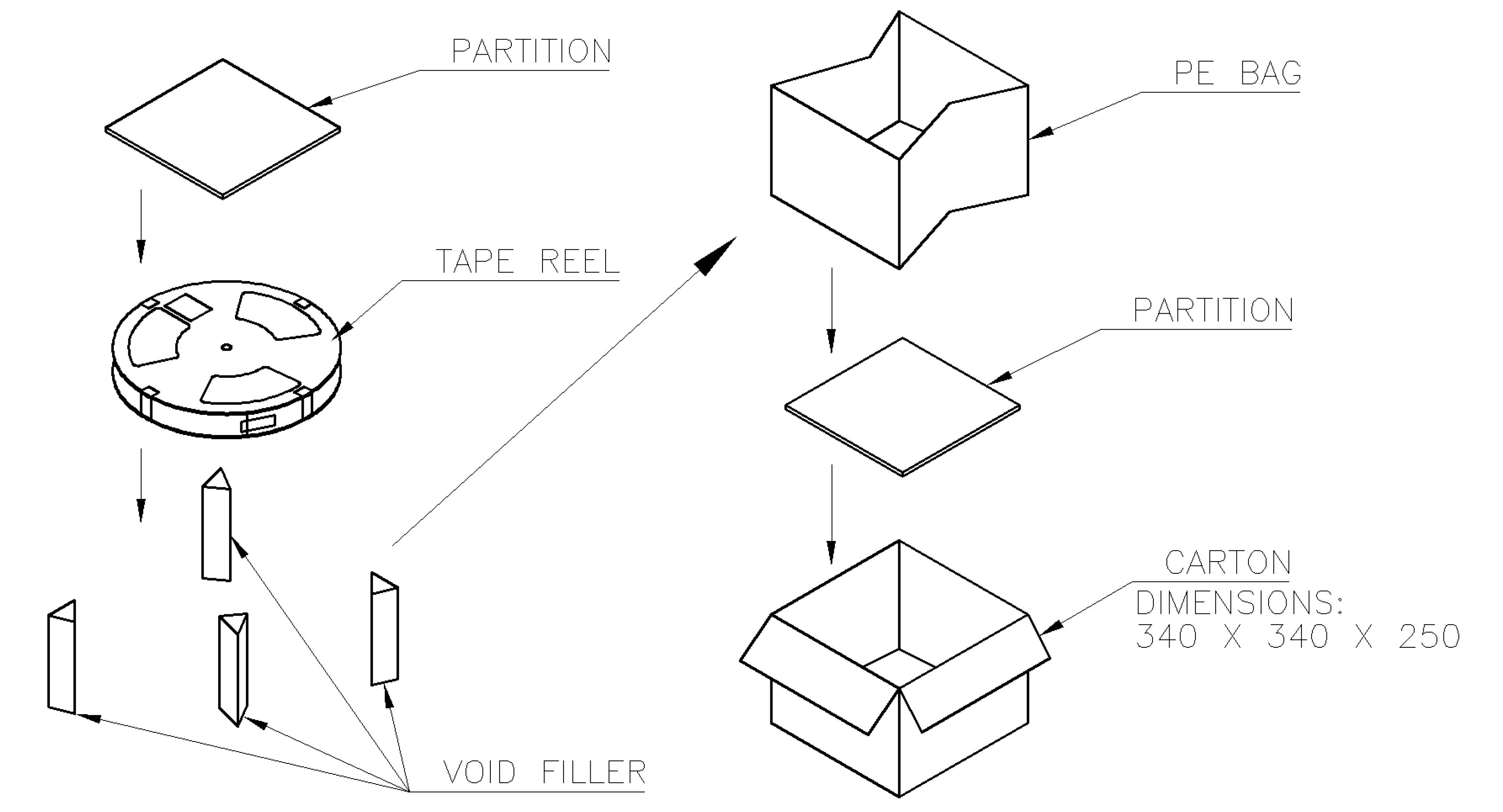
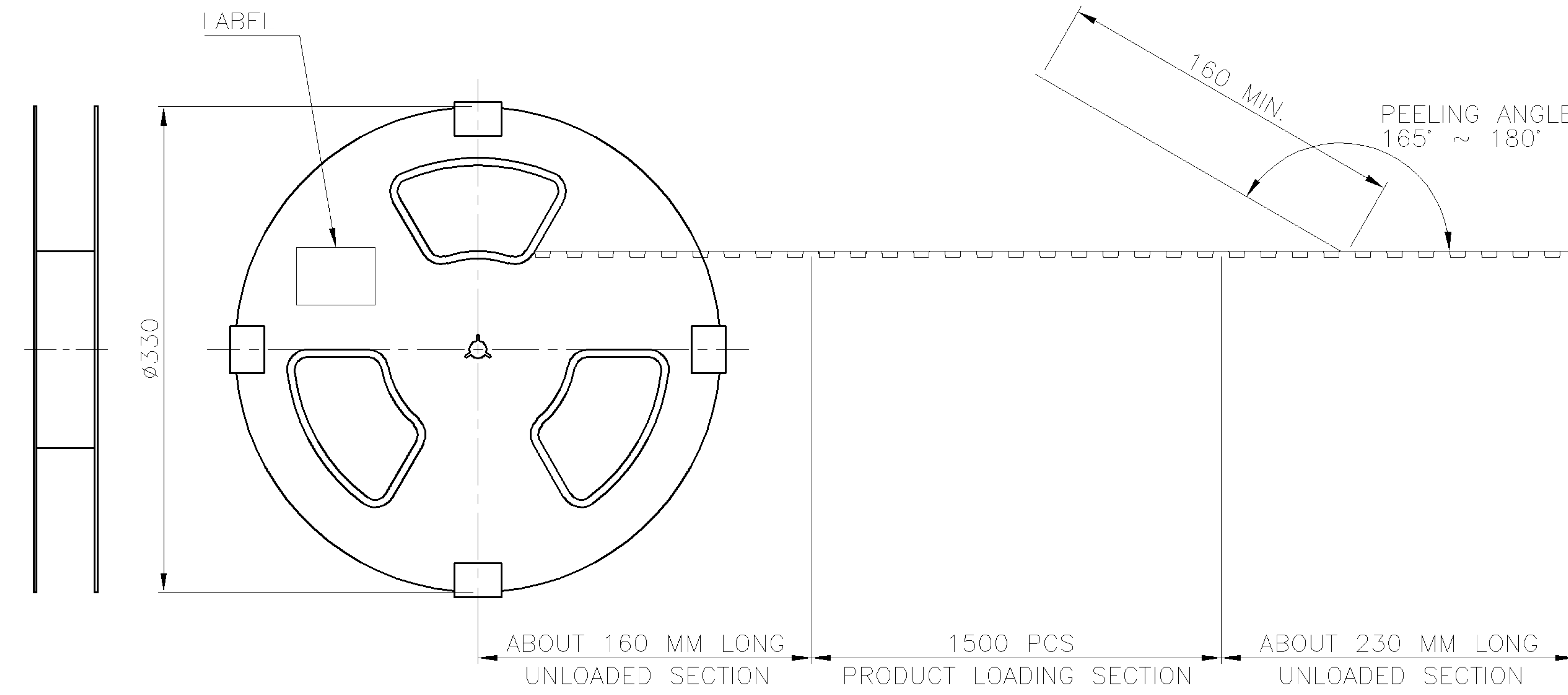
NUMBER
C-1734798

3RD ANGLE PROJECTION

METRIC

DIMENSIONS IN MILLIMETERS. DO NOT SCALE PRINT.

PRINT DIST
DW



DIM	W	REELS/CARTON	QUANTITY (PCS)	G/W (KG)	N/W (KG)	NO. OF CONTACTS
56	3	4500	5.55	3.47	30	
			5.46	3.42	29	
			5.33	4.38	28	
44	4	6000	6.38	4.20	27	
			6.26	4.08	26	
			6.14	3.90	25	
			5.96	3.78	24	
			5.84	3.60	23	
			5.72	3.42	22	
			5.54	3.30	21	
			5.42	3.12	20	
			5.30	2.94	19	
			5.18	2.82	18	
32	6	9000	5.00	2.64	17	
			4.88	2.52	16	
			6.65	3.51	15	
			6.47	3.24	14	
			6.20	3.06	13	
24	7	10500	6.02	2.79	12	
			6.52	3.05	11	
			6.31	2.73	10	
			5.99	2.41	9	
			5.78	2.21	8	
			5.57	1.89	7	
			5.36	1.68	6	
5.17	1.37	5				
4.84	1.05	4				

TOLERANCES UNLESS OTHERWISE SPECIFIED: 0 PLC ±- 1 PLC ±- 2 PLC ±- 3 PLC ±- ANGLES ±-		DWN A. WU 17-NOV-2005	TE Connectivity FPC CONNECTOR, 1.0 PITCH, NON-ZIF, SMT, SIDE ENTRY, BOTTOM CONTACT			
MATERIAL -		CHK S. HOU 17-NOV-2005				
FINISH -		APVD T. KE 17-NOV-2005	LOC DW	SIZE A₃	DRAWING NO C-1734798	REV A1
LTR		REVISION RECORD	SCALE --	SHEET 2 OF 2		

SEE SHEET 1.	DWN	CHK	DATE
ECO			