



Chipsmall Limited consists of a professional team with an average of over 10 year of expertise in the distribution of electronic components. Based in Hongkong, we have already established firm and mutual-benefit business relationships with customers from,Europe,America and south Asia,supplying obsolete and hard-to-find components to meet their specific needs.

With the principle of “Quality Parts,Customers Priority,Honest Operation,and Considerate Service”,our business mainly focus on the distribution of electronic components. Line cards we deal with include Microchip,ALPS,ROHM,Xilinx,Pulse,ON,Everlight and Freescale. Main products comprise IC,Modules,Potentiometer,IC Socket,Relay,Connector.Our parts cover such applications as commercial,industrial, and automotives areas.

We are looking forward to setting up business relationship with you and hope to provide you with the best service and solution. Let us make a better world for our industry!



Contact us

Tel: +86-755-8981 8866 Fax: +86-755-8427 6832

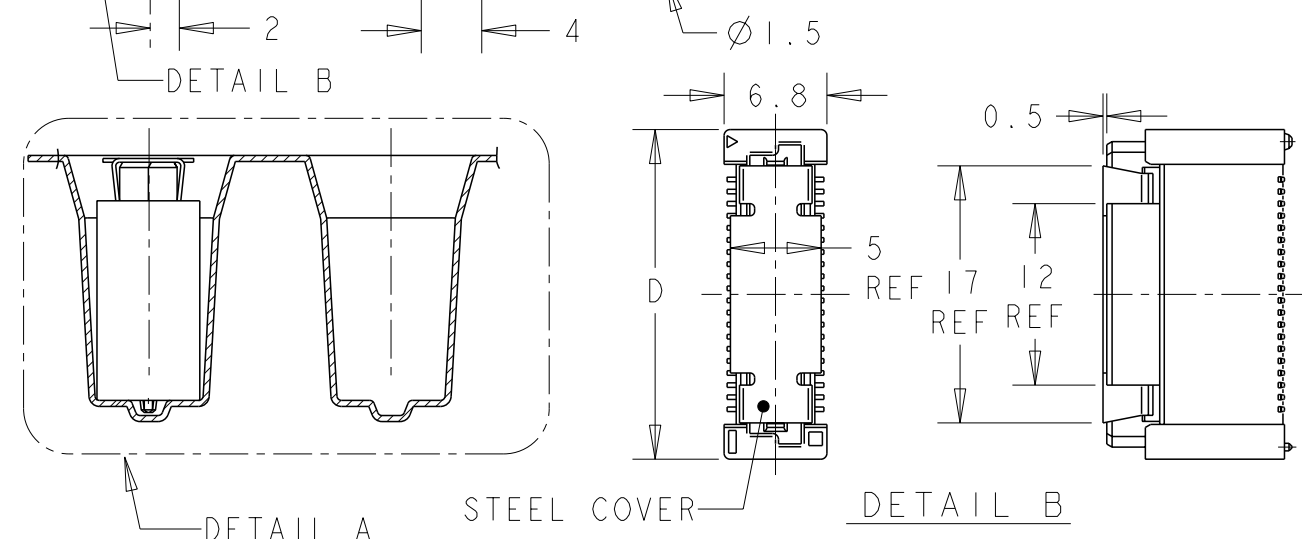
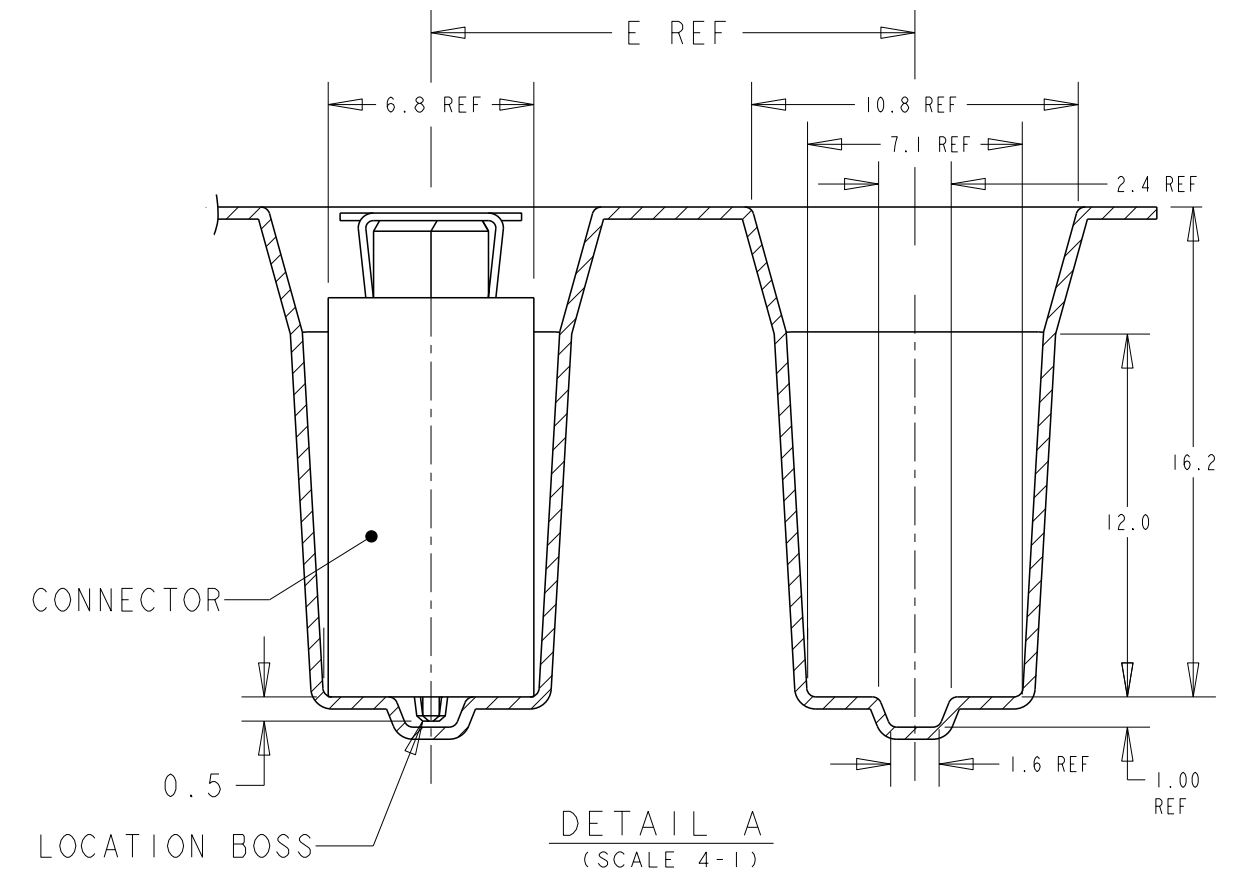
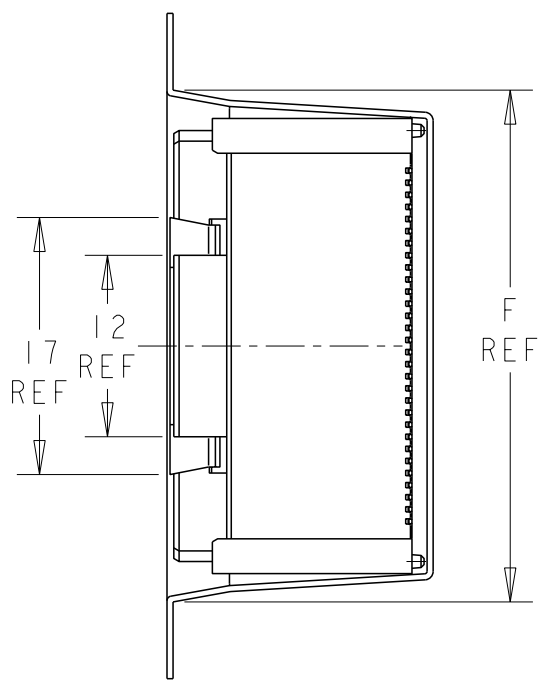
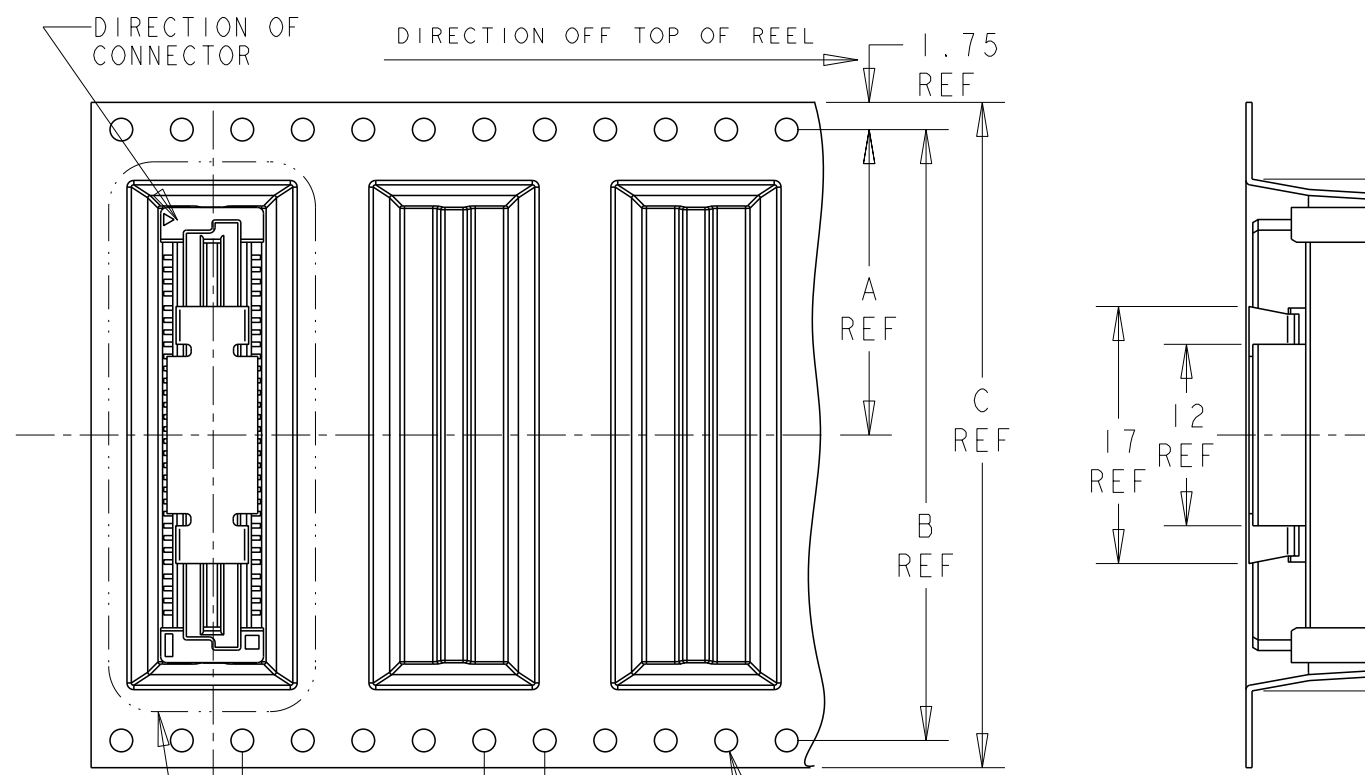
Email & Skype: info@chipsmall.com Web: www.chipsmall.com

Address: A1208, Overseas Decoration Building, #122 Zhenhua RD., Futian, Shenzhen, China



THIS DRAWING IS UNPUBLISHED. RELEASED FOR PUBLICATION 20
 © COPYRIGHT 20 BY - ALL RIGHTS RESERVED.

LOC	DIST	REVISIONS					
		P	LTR	DESCRIPTION	DATE	DWN	APVD
DY	-	A2		REVISED PER ECR-14-010370	10JUL2014	I.T	W.H

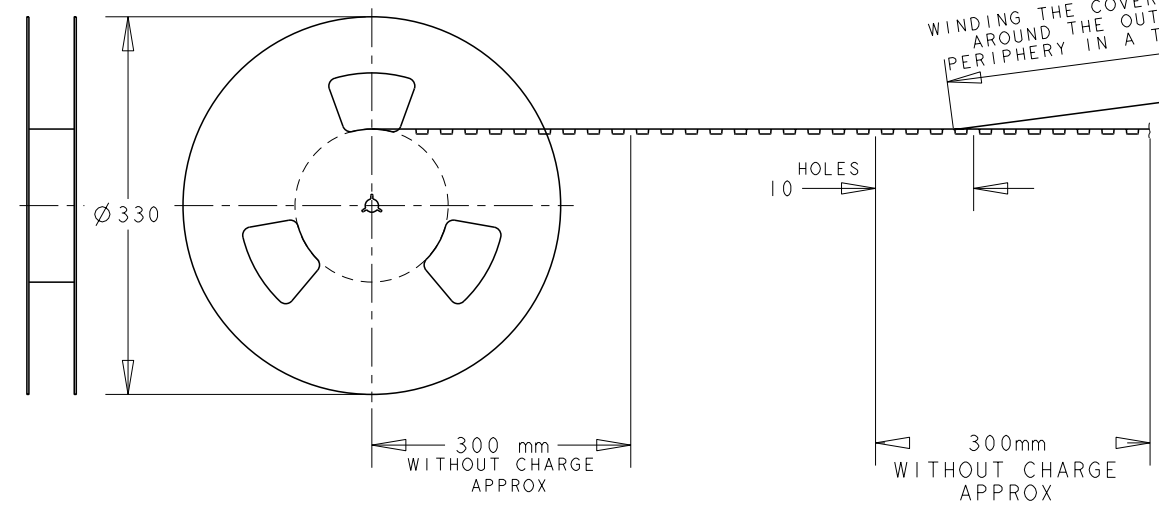


NOTES:

- MATERIALS:
 HOUSING: L.C.P (HIGH TEMP THERMO PLASTIC) UL 94V-0, NATURAL.
 CONTACT: COPPER ALLOY.
- FINISH:
 ENGAGEMENT AREA: 0.0002 MIN GOLD
 SOLDERING AREA: 0.002 MIN MATTE TIN
 UNDERCOAT: 0.0013 MIN NICKEL ALL OVER
- FINISH:
 ENGAGEMENT AREA: 0.00076 MIN GOLD
 SOLDERING AREA: 0.002 MIN MATTE TIN
 UNDERCOAT: 0.0013 MIN NICKEL ALL OVER
- POSITION SERIES:
 SEE P/N TABLE ON SHEET 3.
- CONNECTOR MATED STACKED HEIGHT IS COMBINATION OF PLUG HEIGHT "Y" AND REC HEIGHT "X", LESS 5 mm.
 STACKED HEIGHT = Y + X - 5
- THIS DRAWING 1735481 DESCRIBES CONNECTORS P/N X-1735480-X WITH STEEL COVER IN EMBOSS TAPE PACKAGING.

CONNECTOR DIMENSIONS (ON SHEET 2) AND RECOMMENDED P.C. BOARD LAYOUT (ON SHEET 3) ARE REFERENCED FROM DRAWING 1735480.

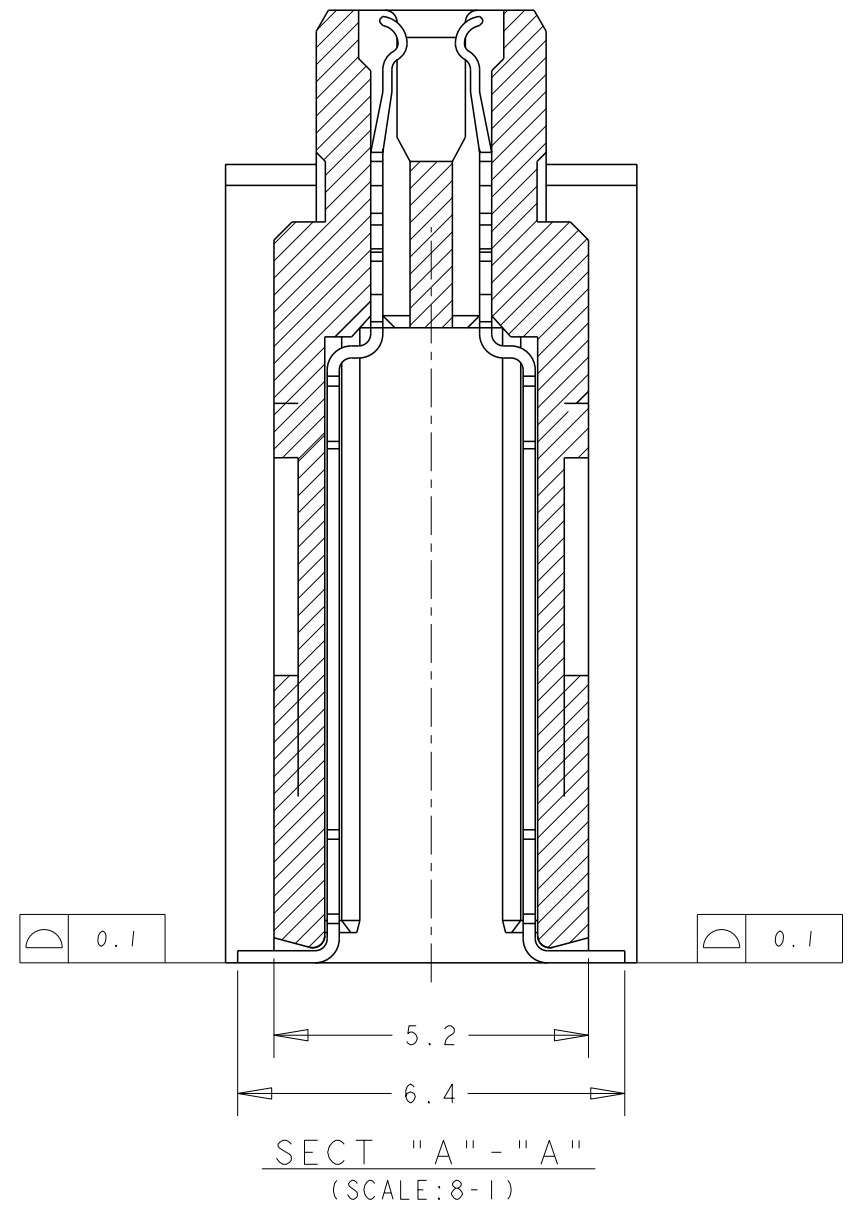
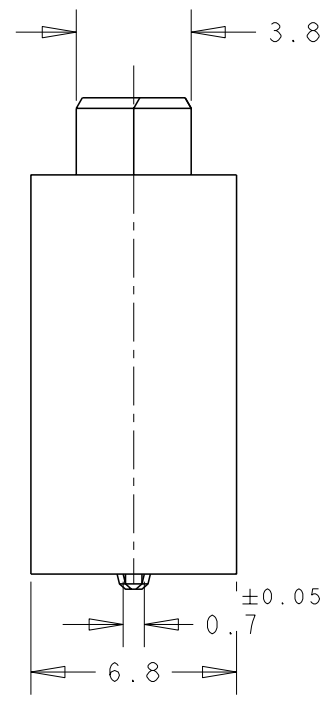
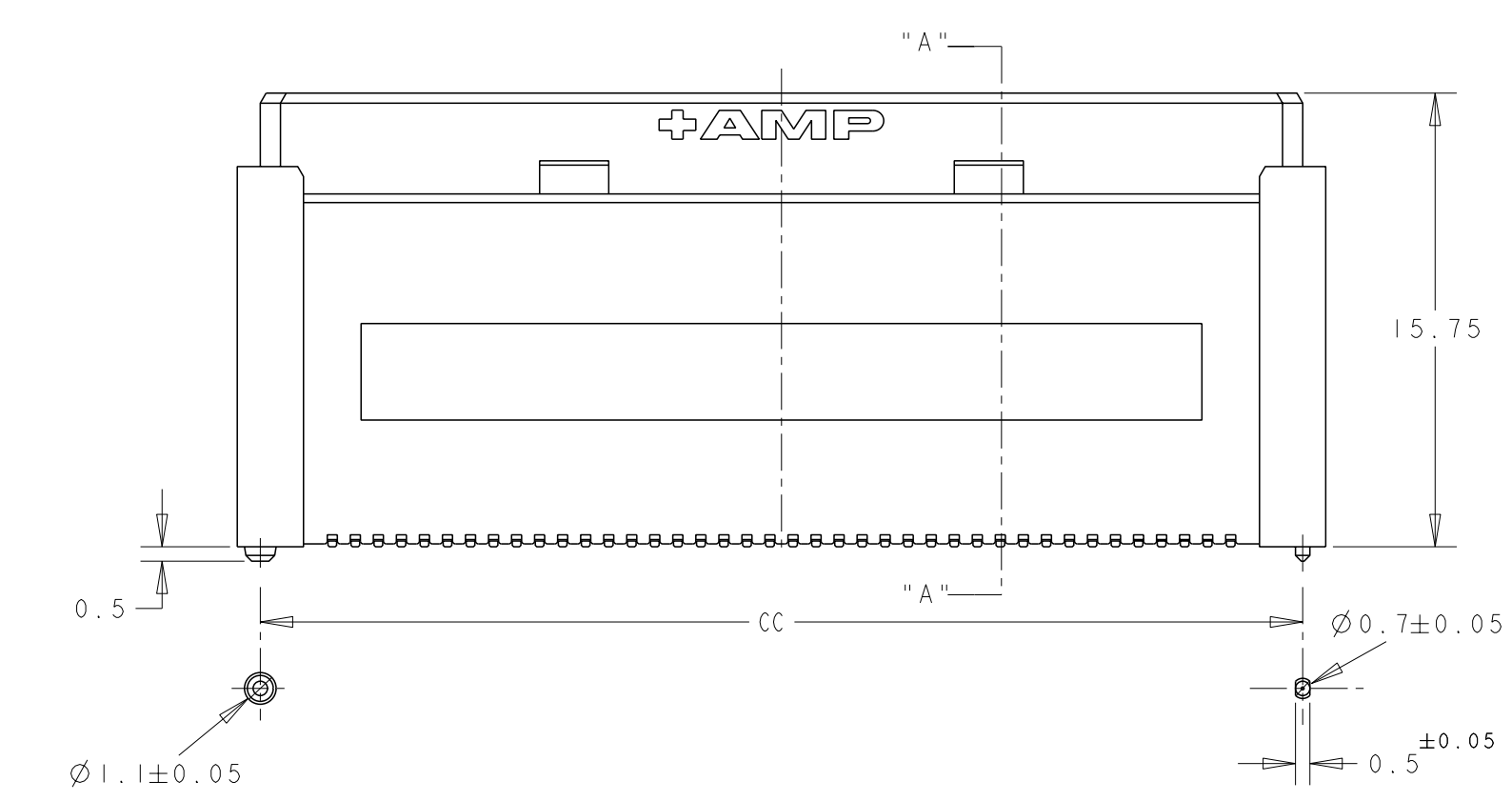
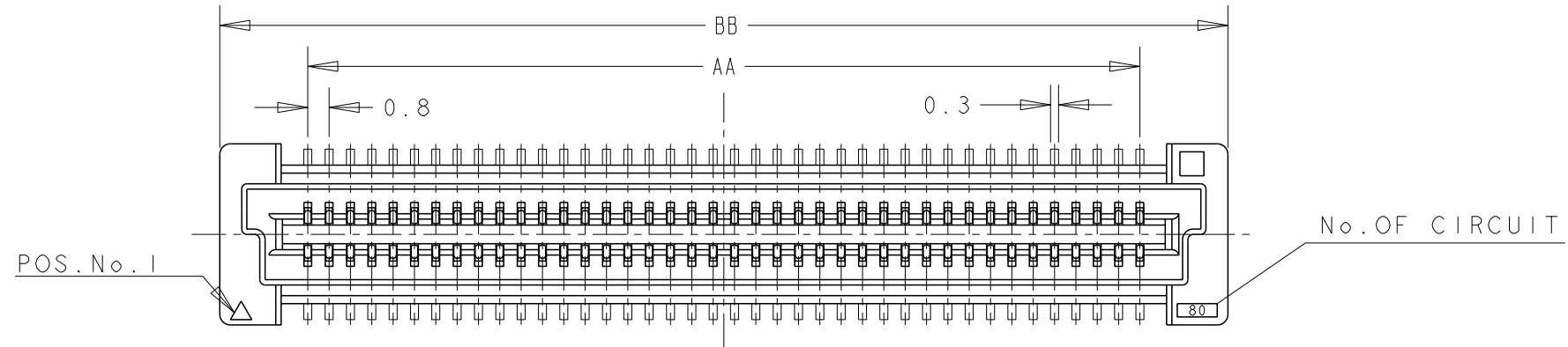
WINDING THE COVER TAPE AROUND THE OUTER PERIPHERY IN A TURN.




THIS DRAWING IS A CONTROLLED DOCUMENT.		DWN WYLEE 10JUL2007	TE Connectivity	
DIMENSIONS: mm		CHK YJ SEE 20MAR2013		
TOLERANCES UNLESS OTHERWISE SPECIFIED:		APVD SF LEONG 20MAR2013	NAME	
0 PLC ±-	1 PLC ±0.30	PRODUCT SPEC 108-5390	RECEPTACLE 17mm HEIGHT	
2 PLC ±0.25	3 PLC ±0.20	APPLICATION SPEC 114-5254	FH 0.8mm B-T-B CONNECTOR	
4 PLC ±-	ANGLES ±3°	WEIGHT -	SIZE A3	CAGE CODE 00779
MATERIAL	FINISH SEE P/N TABLE	CUSTOMER DRAWING	DRAWING NO C-1735482	RESTRICTED TO -
		SCALE 2:1	SHEET 1 OF 3	REV A2

THIS DRAWING IS UNPUBLISHED. RELEASED FOR PUBLICATION 20
 © COPYRIGHT 20 BY - ALL RIGHTS RESERVED.

LOC	DIST	REVISIONS			
P	LTR	DESCRIPTION	DATE	DWN	APVD
DY	-	SEE SHEET 1	-	-	-



CONNECTOR DIMENSIONS REFERENCED FROM DRAWING NO. 1735480.

THIS DRAWING IS A CONTROLLED DOCUMENT.		DWN WYLEE 10JUL2007	 TE Connectivity		
DIMENSIONS: mm		CHK YJ SEE 20MAR2013			
TOLERANCES UNLESS OTHERWISE SPECIFIED:		APVD SF LEONG 20MAR2013	NAME		
0 PLC ±- 1 PLC ±0.30 2 PLC ±0.25 3 PLC ±0.20 4 PLC ±- ANGLES ±3°		PRODUCT SPEC 108-5390	RECEPTACLE 17mm HEIGHT FH 0.8mm B-T-B CONNECTOR WITH STEEL COVER, ON EMBOSS TAPE		
MATERIAL		APPLICATION SPEC 114-5254	SIZE A3	CAGE CODE 00779	DRAWING NO C=1735482
FINISH SEE P/N TABLE		WEIGHT -	RESTRICTED TO -		
		CUSTOMER DRAWING	SCALE 2:1	SHEET 2 OF 3	REV A2

THIS DRAWING IS UNPUBLISHED.

RELEASED FOR PUBLICATION

20

© COPYRIGHT 20 BY -

ALL RIGHTS RESERVED.

LOC

DIST

REVISIONS

DY

-

P

LTR

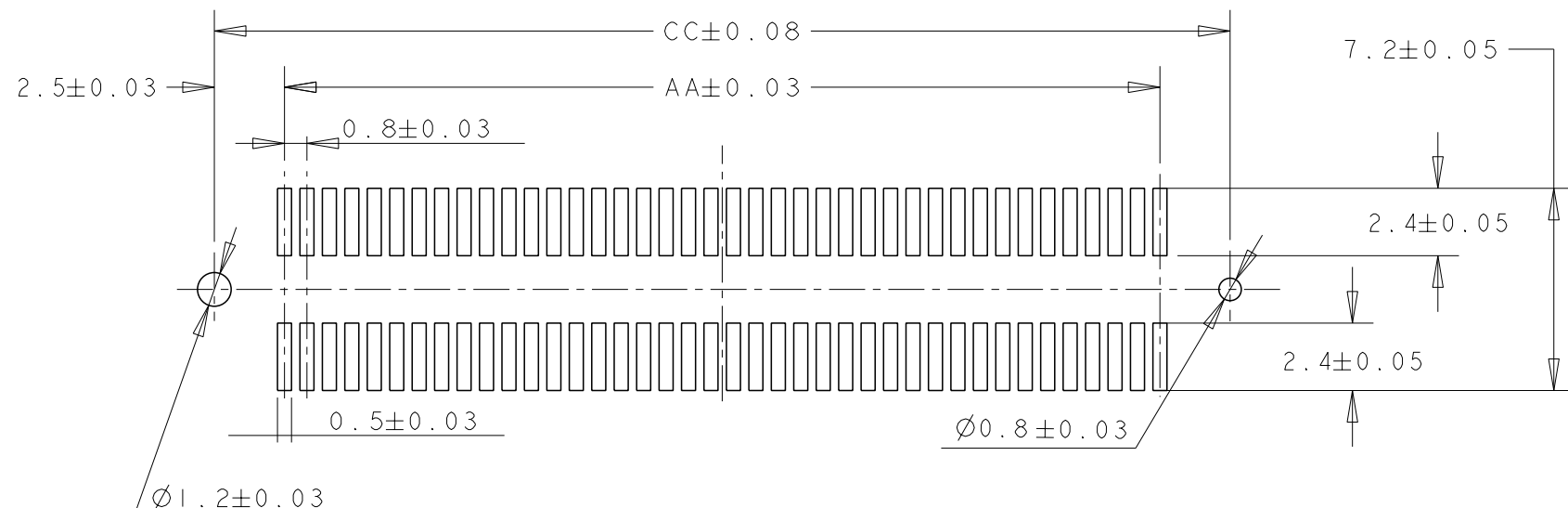
DESCRIPTION

DATE

DWN

APVD

SEE SHEET 1



RECOMMENDED P.C. BOARD LAYOUT
 (REFERENCED FROM DRAWING NO. 1735480.)

CONTACT FINISH	QTY	CC	BB	AA	F	E	D	C	B	A	CONNECTOR P/N REF. ONLY	POS	SALEABLE PART NO.
30 u" Au - Sn 3	100	84.20	SAME AS DIM D	79.20	94.0	20	85.8	120	116.4	58.2	8-1735480-0	200	3-1735482-0
	100	76.20		71.20	86.0	20	77.8	104	100.4	50.2	7-1735480-9	180	2-1735482-9
	100	68.20		63.20	73.8	20	69.8	88	84.4	42.2	7-1735480-8	160	2-1735482-8
	100	64.20		59.20	69.8	20	65.8	88	84.4	42.2	7-1735480-7	150	2-1735482-7
	100	60.20		55.20	65.8	20	61.8	88	84.4	42.2	7-1735480-6	140	2-1735482-6
	100	52.20		47.20	57.8	20	53.8	72	68.4	34.2	7-1735480-5	120	2-1735482-5
	100	44.20		39.20	49.8	20	45.8	72	68.4	34.2	7-1735480-4	100	2-1735482-4
	100	36.20		31.20	41.8	20	37.8	56	52.4	26.2	7-1735480-3	80	2-1735482-3
	100	28.20		23.20	33.8	20	29.8	44	40.4	20.2	7-1735480-2	60	2-1735482-2
	100	20.20		15.20	25.8	20	21.8	44	40.4	20.2	7-1735480-1	40	2-1735482-1
08 u" Au - Sn 2	100	84.20	SAME AS DIM D	79.20	94.0	20	85.8	120	116.4	58.2	6-1735480-0	200	1-1735482-0
	100	76.20		71.20	86.0	20	77.8	104	100.4	50.2	5-1735480-9	180	1735482-9
	100	68.20		63.20	73.8	20	69.8	88	84.4	42.2	5-1735480-8	160	1735482-8
	100	64.20		59.20	69.8	20	65.8	88	84.4	42.2	5-1735480-7	150	1735482-7
	100	60.20		55.20	65.8	20	61.8	88	84.4	42.2	5-1735480-6	140	1735482-6
	100	52.20		47.20	57.8	20	53.8	72	68.4	34.2	5-1735480-5	120	1735482-5
	100	44.20		39.20	49.8	20	45.8	72	68.4	34.2	5-1735480-4	100	1735482-4
	100	36.20		31.20	41.8	20	37.8	56	52.4	26.2	5-1735480-3	80	1735482-3
	100	28.20		23.20	33.8	20	29.8	44	40.4	20.2	5-1735480-2	60	1735482-2
	100	20.20		15.20	25.8	20	21.8	44	40.4	20.2	5-1735480-1	40	1735482-1

THIS DRAWING IS A CONTROLLED DOCUMENT.

DWN WYLEE 10JUL2007

CHK YJ SEE 20MAR2013

APVD SF LEONG 20MAR2013

PRODUCT SPEC 108-5390

APPLICATION SPEC 114-5254

WEIGHT -

CUSTOMER DRAWING

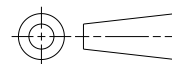


NAME
 RECEPTACLE 17mm HEIGHT
 FH 0.8mm B-T-B CONNECTOR
 WITH STEEL COVER, ON EMBOSS TAPE

SIZE A3 CAGE CODE 00779 DRAWING NO. C-1735482 RESTRICTED TO -

SCALE 2:1 SHEET 3 OF 3 REV A2

DIMENSIONS: mm



TOLERANCES UNLESS OTHERWISE SPECIFIED:
 0 PLC ±-
 1 PLC ±0.30
 2 PLC ±0.25
 3 PLC ±0.20
 4 PLC ±-
 ANGLES ±3°

MATERIAL



FINISH SEE P/N TABLE