



Chipsmall Limited consists of a professional team with an average of over 10 year of expertise in the distribution of electronic components. Based in Hongkong, we have already established firm and mutual-benefit business relationships with customers from,Europe,America and south Asia,supplying obsolete and hard-to-find components to meet their specific needs.

With the principle of “Quality Parts,Customers Priority,Honest Operation,and Considerate Service”,our business mainly focus on the distribution of electronic components. Line cards we deal with include Microchip,ALPS,ROHM,Xilinx,Pulse,ON,Everlight and Freescale. Main products comprise IC,Modules,Potentiometer,IC Socket,Relay,Connector.Our parts cover such applications as commercial,industrial, and automotives areas.

We are looking forward to setting up business relationship with you and hope to provide you with the best service and solution. Let us make a better world for our industry!



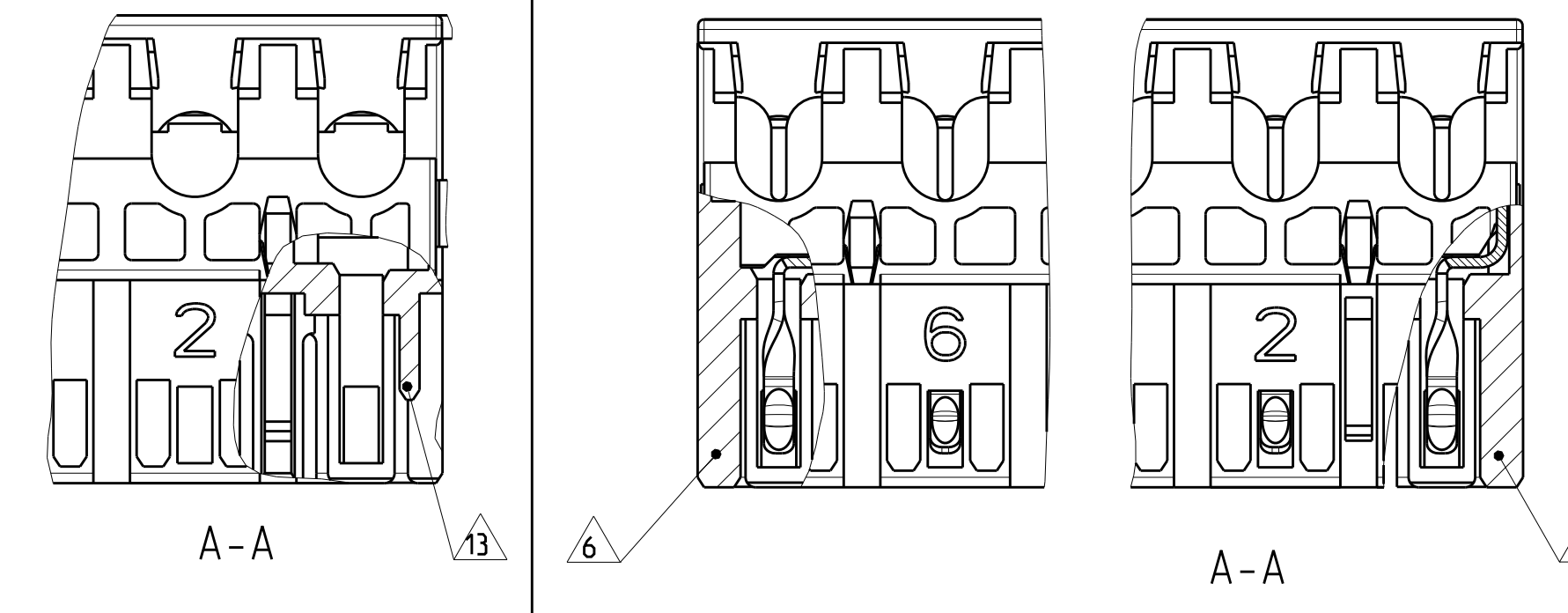
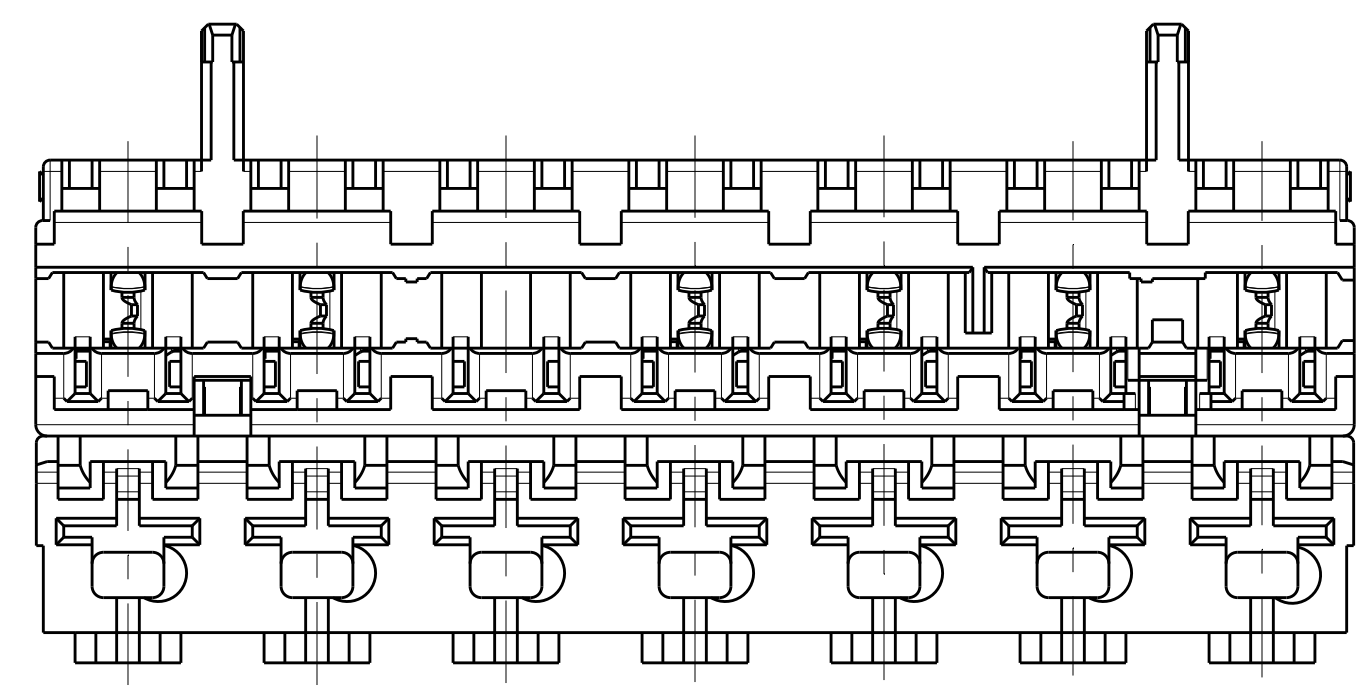
Contact us

Tel: +86-755-8981 8866 Fax: +86-755-8427 6832

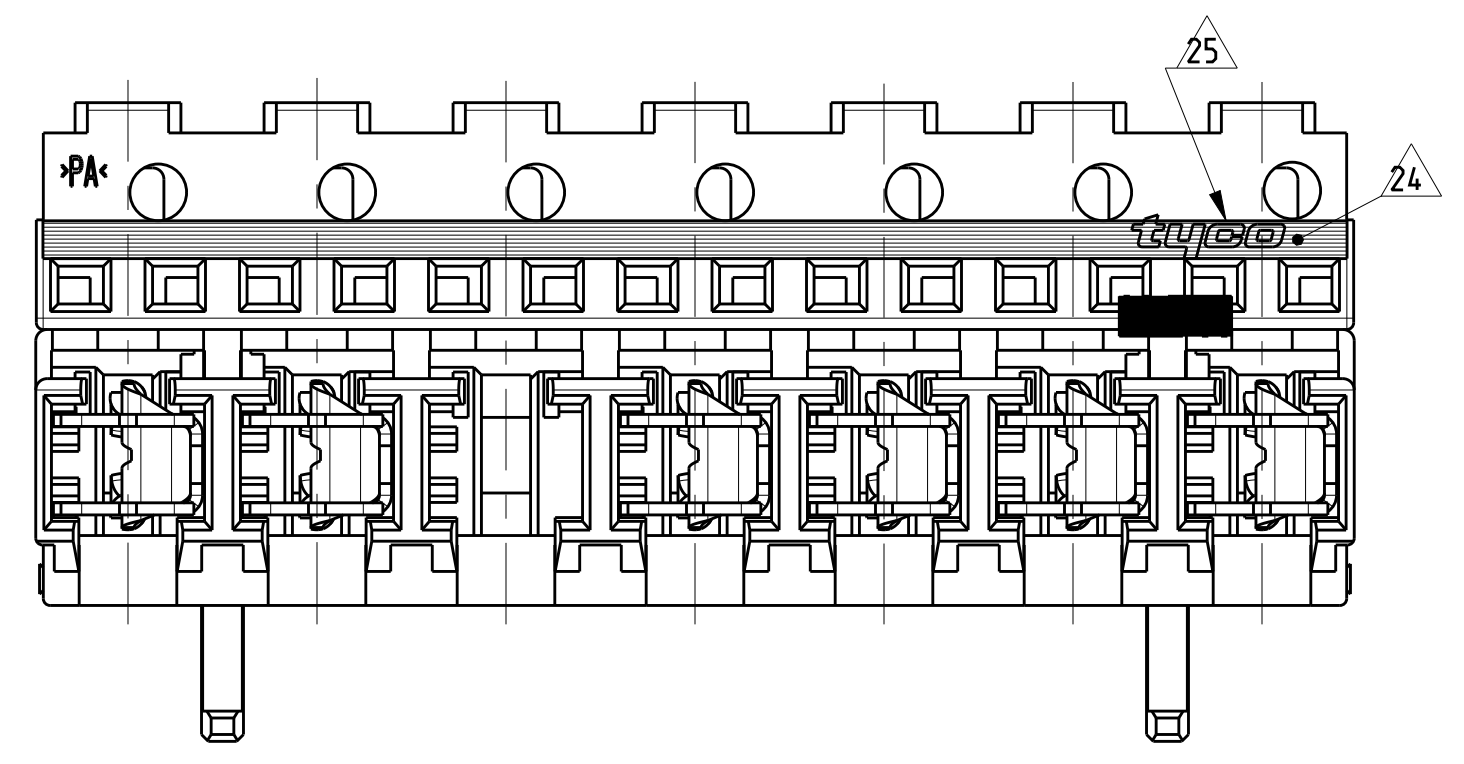
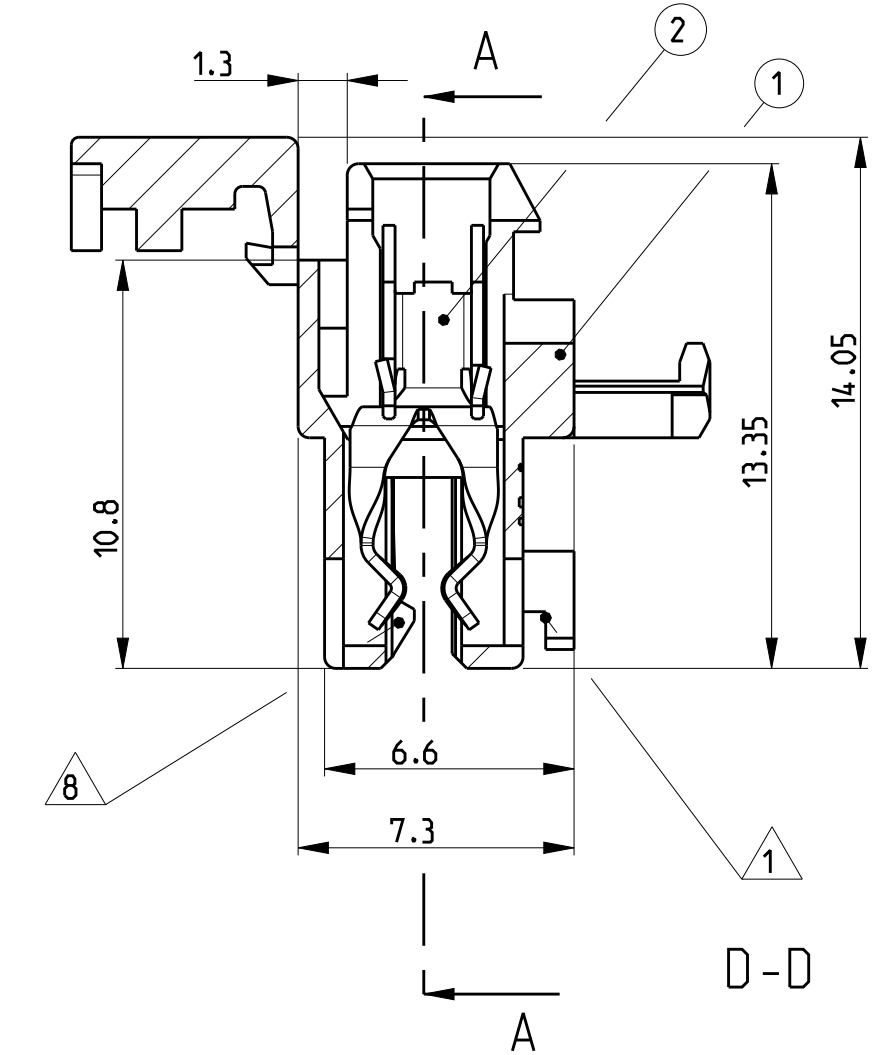
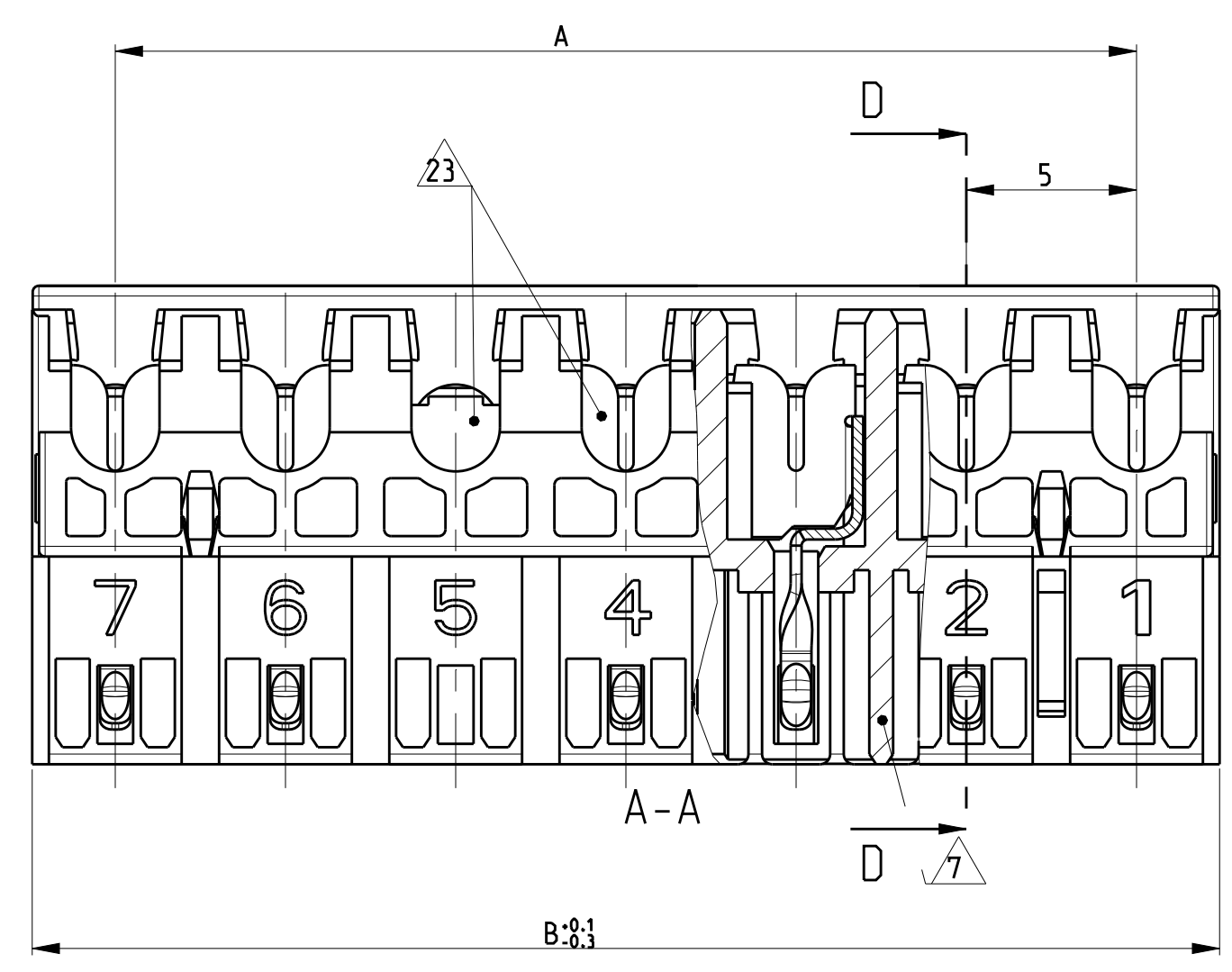
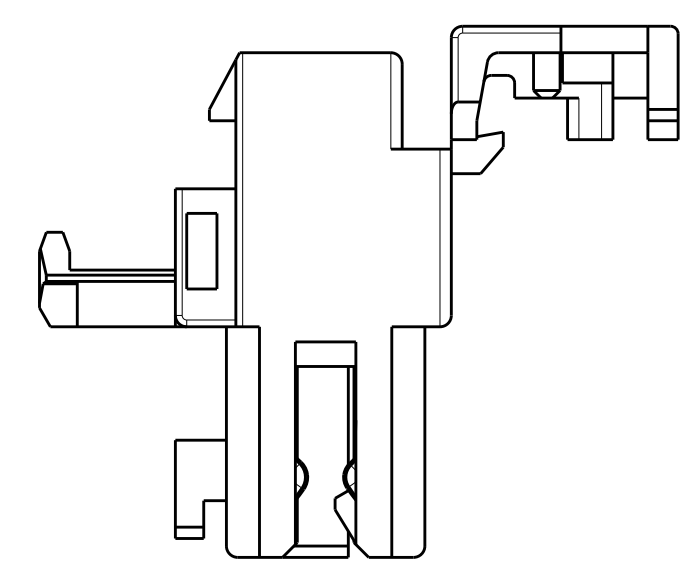
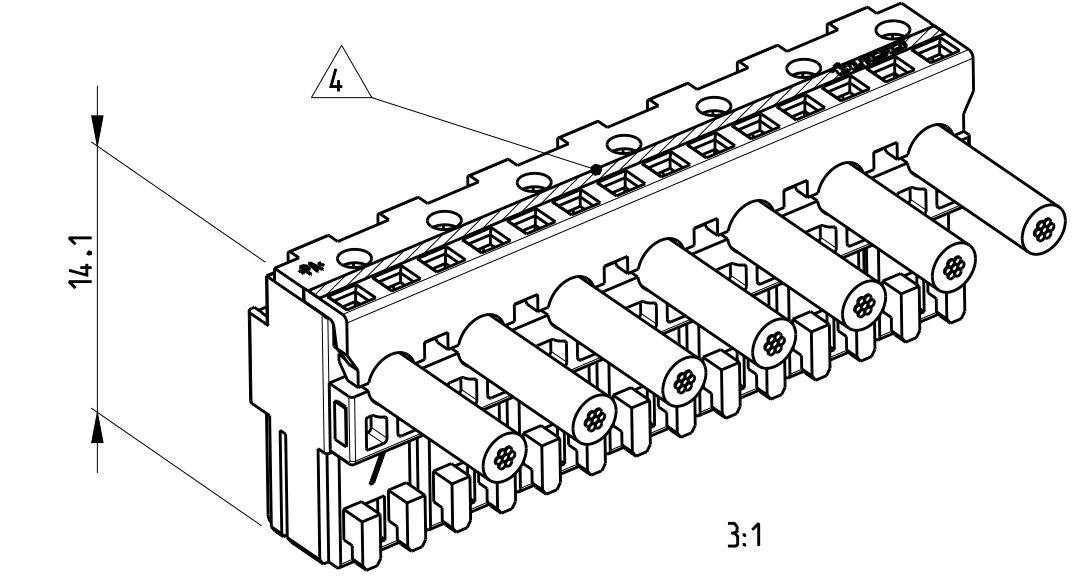
Email & Skype: info@chipsmall.com Web: www.chipsmall.com

Address: A1208, Overseas Decoration Building, #122 Zhenhua RD., Futian, Shenzhen, China





LOC	DIST	REVISIONS			
A1	-	REV	DATE	BY	APPD
		B12	ECR-16-009976	13JUN2016	KD RR
		B13	ECR-16-012199	25AUG2016	KD RR
		B14	ECR-16-016031	18NOV2016	KD RR
		B15	ECR-16-017136	09DEC2016	KD RR



- 26. PRELIMINARY PART NOT RELEASED FOR PRODUCTION
- 25. TE LOGO
- 24. COLOUR MARKING IN THIS AREA. COLOUR SEE TABLE.
Farbmarkierung in diesem Bereich. Farbe siehe Tabelle.
- 23. X...CAVITY LOADED WITH CONTACT
O...CAVITY WITHOUT CONTACT
X...Kammer mit Kontakt bestückt
O...Kammer ohne Kontakt
- 22. INCLUSIVE COPPER CLADDING. SINGLE OR DOUBLE SIDED
Inklusive Kupferkaschierung, ein oder doppelseitig
- 21. PCB PREFERABLY CHAMFERED
Leiterplatte vorzugsweise angefast
- 20. SLOT FOR ADDITIONAL KEYING RIB BETWEEN CAVITY NO.
Schlitz fuer zusätzliche Kodierrippe zwischen Kammer Nr.
- 19. SLOT FOR SIDE KEYING NARROW AND REDUCED. ON CAVITY NO.1
Schlitz fuer Seitenkodierung, eng und reduziert, bei Kammer Nr. 1
- 18. SLOT FOR SIDE KEYING. ON LAST CAVITY
Schlitz fuer Seitenkodierung, bei letzter Kammer
- 17. SLOT FOR SIDE KEYING. ON CAVITY NO. 1
Schlitz fuer Seitenkodierung, bei Kammer Nr. 1
- 16. IEC 60695-2-11 / IEC 60335-1 GLOW WIRE TEST 750 °C WITHOUT FLAME
IEC 60695-2-11 / IEC 60335-1 Gluehdrahttest 750 °C ohne Flamme
- 14 - 15. -
- 13. SIDE KEYING, SMALL AND HALF, ON CAVITY NO. 1
Seitenkodierung, schmal und halb, bei Kammer Nr. 1
- 9 - 12. -
- 8. LOCKING HOOK BETWEEN CAVITY NO. ...
Rasthaken zwischen Kammernummer ...
- 7. ADDITIONAL KEYING RIB BETWEEN CAVITY NO.
Zusätzliche Kodierrippe zwischen Kammer Nr.
- 6. SIDE KEYING, ON LAST CAVITY
Seitenkodierung, bei letzter Kammer
- 5. SIDE KEYING, ON CAVITY NO. 1
Seitenkodierung, bei Kammer Nr. 1
- 4. COLOUR MARKING ON TOP OF HOUSING OPTIONAL ON TERMINATION MACHINE
Farbmarkierung auf Gehäuseoberseite optional an Verarbeitungsmaschine
- 3. MATING PART: PCB ACCORDING SHEET 2 OF 2
Passender Gegenstecker: Leiterplatten siehe Blatt 2 von 2
- 2. WIRE RANGE: 0.35-0.75 mm² ACCORDING TO APPLICATION SPEC 114-18996
Drahtgrößenbereich: 0,35 - 0,75 mm²; siehe Verarbeitungsspezifikation Nr.114-18996.
- 1. KEYING RIBS; CUTTING WITH TERMINATION MACHINE POSSIBLE
Kodierrippe: Schneiden auf der Verarbeitungsmaschine möglich

POS.	PN Betell-Nr.	DESCRIPTION Beschreibung	MATERIAL	COLOUR/FINISH Farbe/Oberflaeche
2	SEE TABLE	CONTACT	CuNiSi	TINNED/verzinkt
1	siehe Tabelle	HOUSING	PA6 GF 16	NATURE/natur

THIS DRAWING IS A CONTROLLED DOCUMENT.

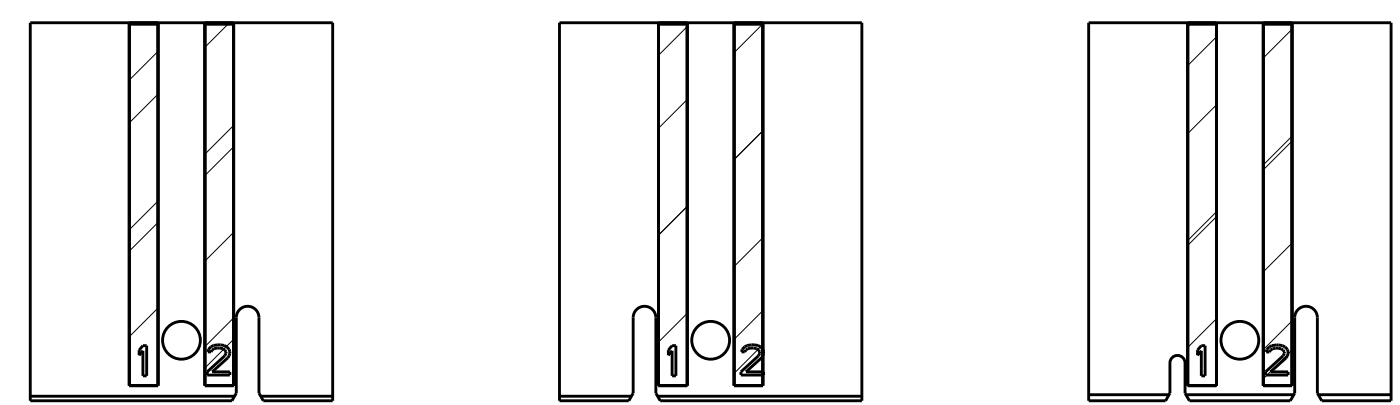
DIMENSIONS: mm
 TOLERANCES UNLESS OTHERWISE SPECIFIED:
 0 PLC ±0.2
 1 PLC ±0.2
 2 PLC ±0.2
 3 PLC ±0.2
 4 PLC ±0.2
 ANGLES ±0°
 FINISH SEE TABLE

DWG: H. Altmann	01NOV2005	TE Connectivity AMP DUOPLUG POWER FEMALE CONNECTOR 2-9 POSITION (WITH PCB LOCKING)
CHK: B. Schnaubel	01NOV2005	
APVD: T. Klenner	01NOV2005	
NAME: T. Klenner	01NOV2005	
MATERIAL: SEE TABLE		SIZE: A1
CUSTOMER DRAWING		SCALE: 5:1
		SHEET: 1 OF 3
		REV: B15

LOC		DIST		REVISIONS			
P	LTR	DESCRIPTION	DATE	DRW	APVD		
-	-	SEE SHEET 1	-	-	-		

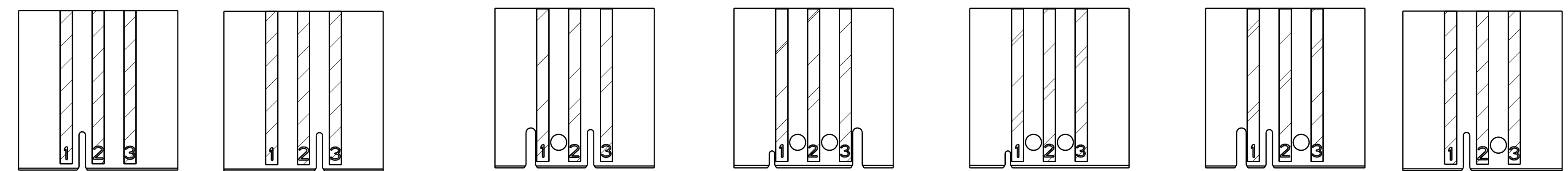
PCB LAYOUT
Leiterplattenanschluss

2 POSITION
 2 polig



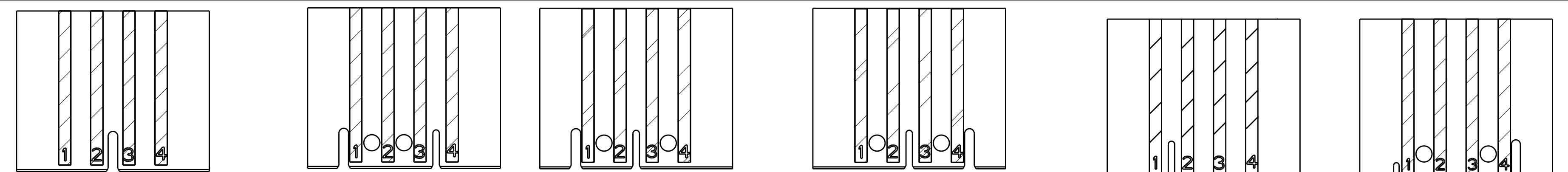
LAYOUT FOR CONNECTOR NO. 0-1740533-2 LAYOUT FOR CONNECTOR NO. 1-1740533-2 LAYOUT FOR CONNECTOR NO. 2-1740533-2

3 POSITION
 3 polig



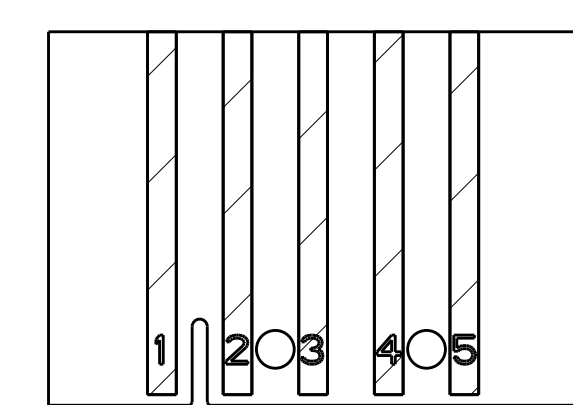
LAYOUT FOR CONNECTOR NO. 7-1740533-3 LAYOUT FOR CONNECTOR NO. 6-1740533-3 LAYOUT FOR CONNECTOR NO. 0-1740533-3 LAYOUT FOR CONNECTOR NO. 1-1740533-3 LAYOUT FOR CONNECTOR NO. 2-1740533-3 LAYOUT FOR CONNECTOR NO. 3-1740533-3 (WITHOUT PAD 3) LAYOUT FOR CONNECTOR NO. 4-1740533-3 (WITHOUT PAD 1) LAYOUT FOR CONNECTOR NO. 5-1740533-3 LAYOUT FOR CONNECTOR NO. 8-1740533-3

4 POSITION
 4 polig



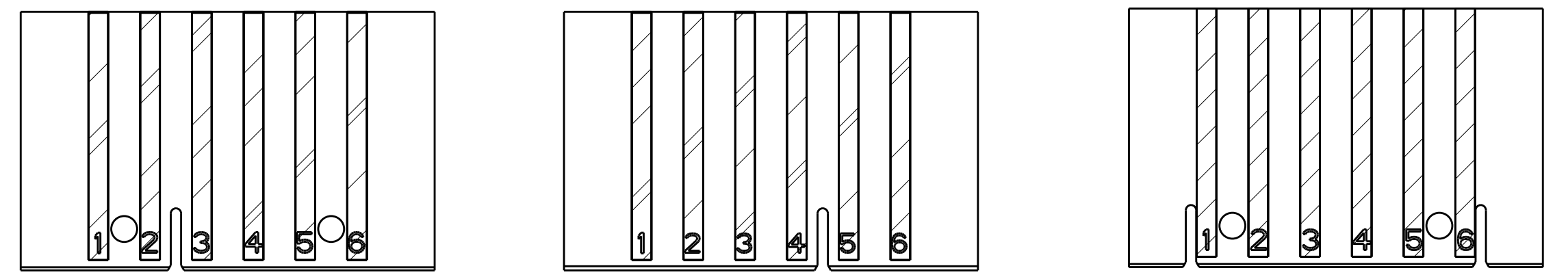
LAYOUT FOR CONNECTOR NO. 5-1740533-4 LAYOUT FOR CONNECTOR NO. 3-1740533-4 LAYOUT FOR CONNECTOR NO. 0-1740533-4 (WITHOUT PAD 2) LAYOUT FOR CONNECTOR NO. 1-1740533-4 LAYOUT FOR CONNECTOR NO. 4-1740533-4 LAYOUT FOR CONNECTOR NO. 6-1740533-4

5 POSITION
 5 polig



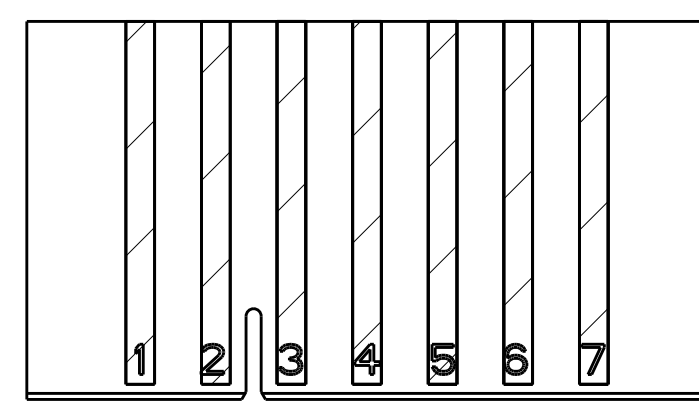
LAYOUT FOR CONNECTOR NO. 0-1740533-5

6 POSITION
 6 polig

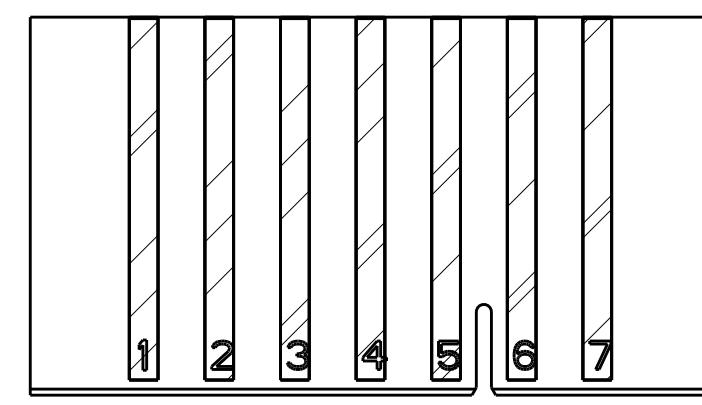


LAYOUT FOR CONNECTOR NO. 0-1740533-6 (WITHOUT PAD 2/5/6) LAYOUT FOR CONNECTOR NO. 1-1740533-6 LAYOUT FOR CONNECTOR NO. 2-1740533-6 LAYOUT FOR CONNECTOR NO. 3-1740533-6 (WITHOUT PAD 2) LAYOUT FOR CONNECTOR NO. 4-1740533-6

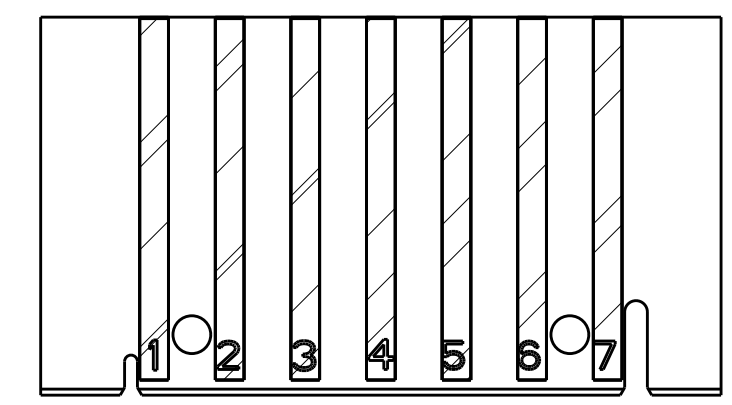
7 POSITION
 7 polig



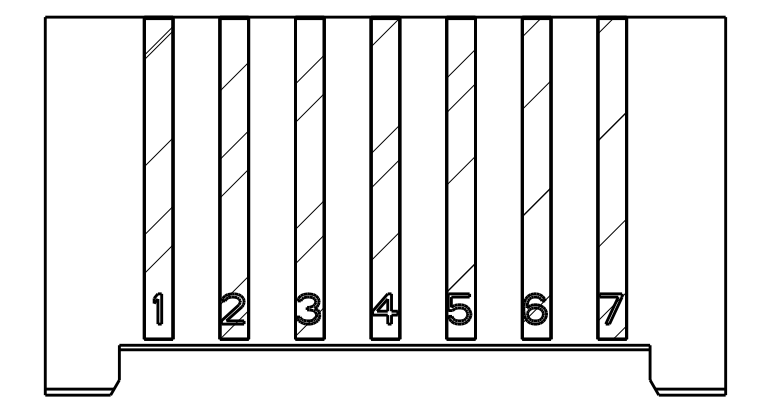
LAYOUT FOR CONNECTOR NO. 4-1740533-7



LAYOUT FOR CONNECTOR NO. 0-1740533-7

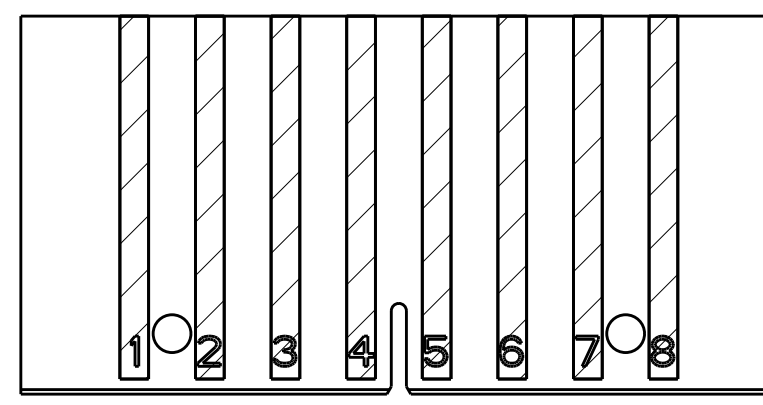


LAYOUT FOR CONNECTOR NO. 1-1740533-7

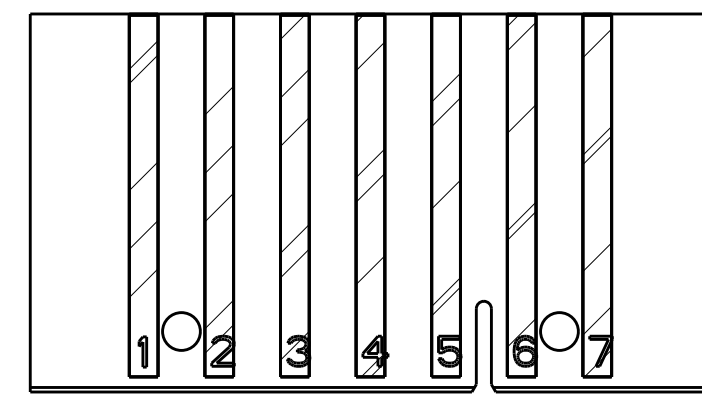


LAYOUT FOR CONNECTOR NO. 2-1740533-7

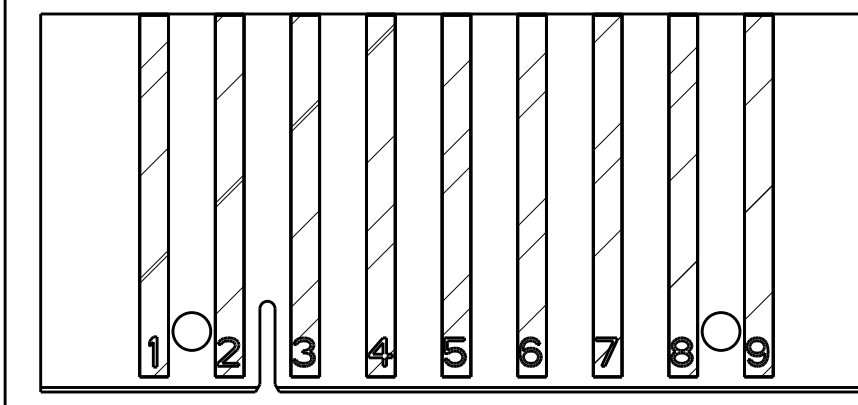
8 POSITION



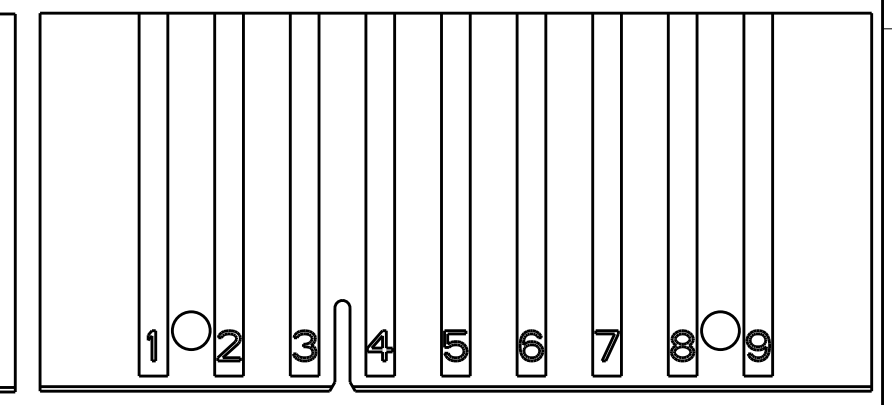
LAYOUT FOR CONNECTOR NO. 0-1740533-8



LAYOUT FOR CONNECTOR NO. 3-1740533-7



LAYOUT FOR CONNECTOR NO. 0-1740533-9



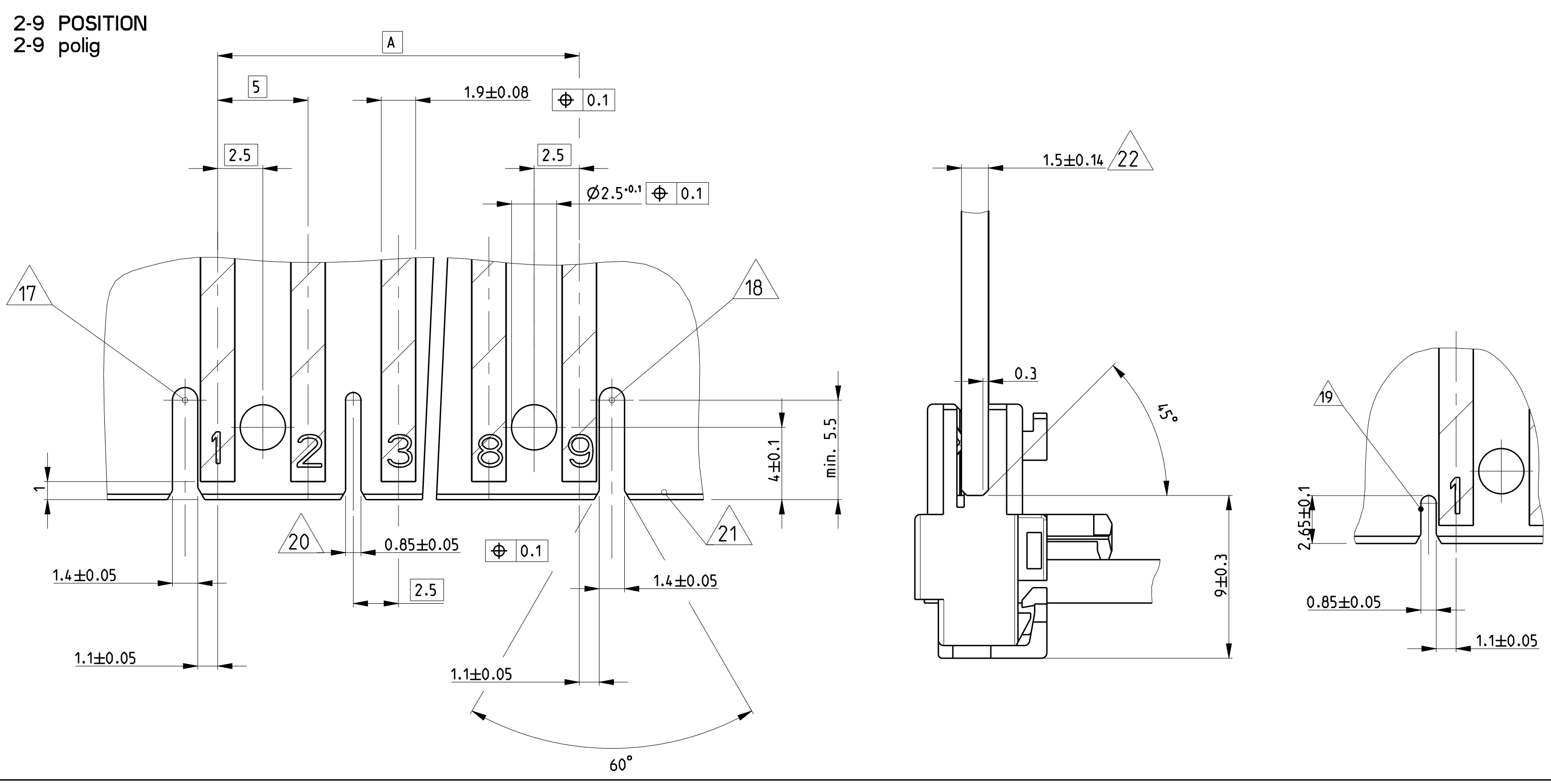
LAYOUT FOR CONNECTOR NO. 2-1740533-9

9 POSITION
 9 polig

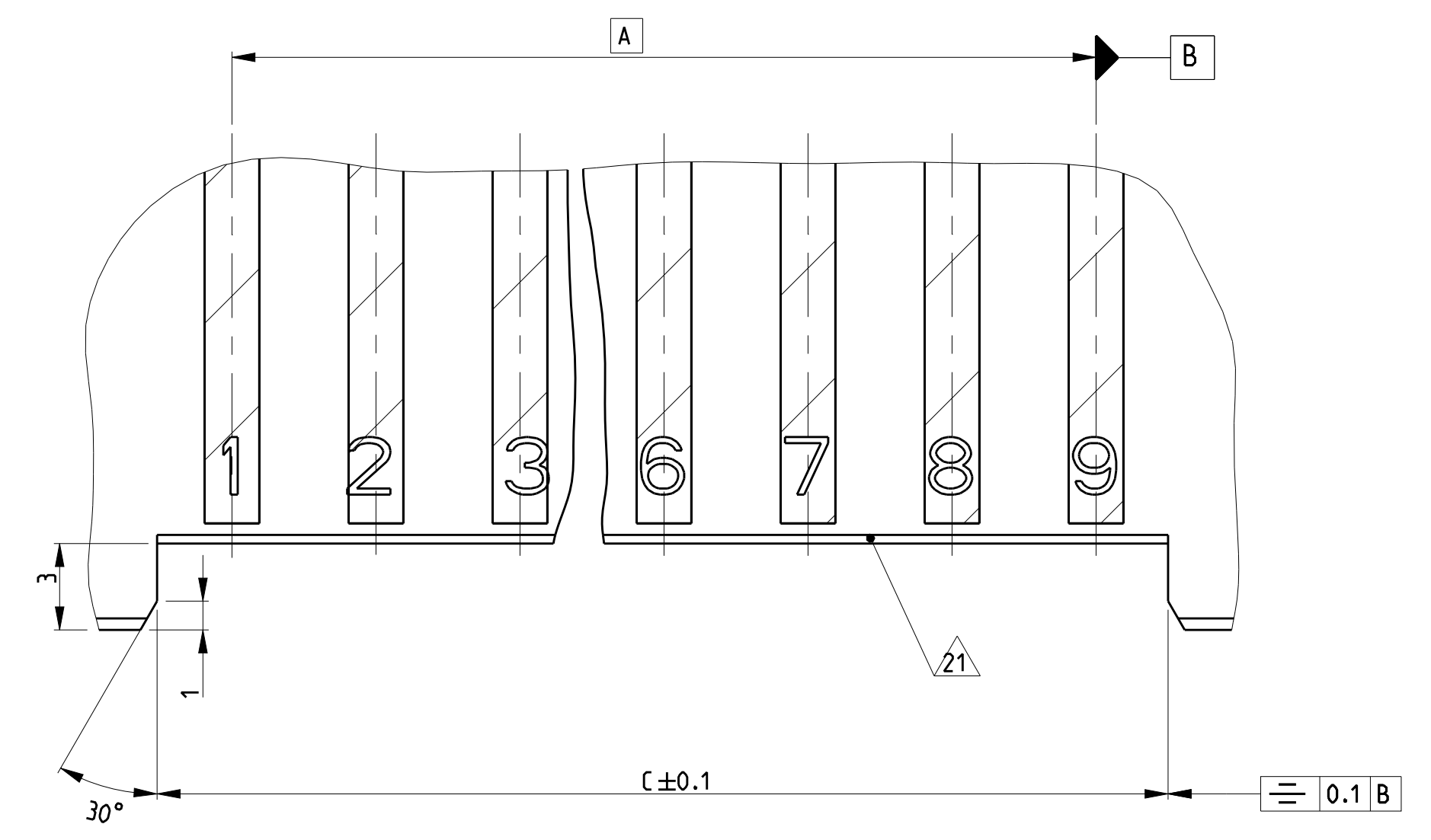
THIS DRAWING IS A CONTROLLED DOCUMENT.		DRW: H. Altmann 01NOV2005	TE Connectivity NAME: AMP DUOPLUG POWER FEMALE CONNECTOR 2-9 POSITION (WITH PCB LOCKING) PRODUCT SPEC: 108-18780 APPLICATION SPEC: 116-18996 WEIGHT: - SCALE: 5:1 SHEET 2 OF 3
DIMENSIONS: mm		CHEK: B. Schnaubel 01NOV2005	
TOLERANCES UNLESS OTHERWISE SPECIFIED:		APVD: T. Klenner 01NOV2005	
0 PLC ±0.2 1 PLC ±0.2 2 PLC ±0.2 3 PLC ±0.2 4 PLC ±0.2 ANGLES ±0° FINISH SEE TABLE		CUSTOMER DRAWING SCALE: 5:1 SHEET 2 OF 3	

LOC	DIST	REV	DESCRIPTION	DATE	DWN	APVD
A1	-	-	SEE SHEET 1	-	-	-

PCB LAYOUT IN GENERAL
 Leiterplattenanschluss allgemein



PCB LAYOUT FOR VERSIONS WITHOUT KEYING RIBS/
 LOCKING HOOKS (E. G. PN 2-1740533-7)
 Leiterplattenanschluss fuer Version ohne Kodierrippen/
 Rasthaken (z. B. Nr. 2-1740533-7)



-	X	X	X	X	X	X	X	X	X	9	40	44.9	-	-	3/4	-	-	1/2 + 8/9	2-1740533-9
GREEN/gruen	0	X	X	X	X	X	X	X	X	9	40	44.9	-	-	2/3	-	-	1/2 + 8/9	1-1740533-9
GREEN/gruen	X	X	X	X	X	X	X	X	X	9	40	44.9	-	-	2/3	-	-	1/2 + 8/9	0-1740533-9
-		X	X	X	X	X	X	X	X	8	35	39.9	-	-	4/5	-	-	1/2 + 7/8	0-1740533-8
-			X	X	X	X	X	X	X	7	30	34.9	-	-	2/3	-	-	-	4-1740533-7
-			X	X	X	X	X	X	X	7	30	34.9	-	-	5/6	-	-	1/2 + 6/7	3-1740533-7
-			X	X	X	X	X	X	X	7	30	34.9	35.1	-	-	-	-	-	2-1740533-7
-			X	X	X	X	X	X	X	7	30	34.9	-	X	-	-	1/2 + 6/7	1-1740533-7	
-			X	X	X	X	X	X	X	7	30	34.9	-	-	5/6	-	-	-	0-1740533-7
-				X	X	X	X	X	X	6	25	29.9	-	-	-	X	X	1/2 + 5/6	4-1740533-6
BLACK/schwarz			X	X	X	X	0	X	X	6	25	29.9	-	-	2/3	-	-	1/2 + 5/6	3-1740533-6
-			X	X	X	X	X	X	X	6	25	29.9	-	-	4/5	-	-	-	2-1740533-6
BLACK/schwarz			X	X	X	X	X	X	X	6	25	29.9	-	-	2/3	-	-	1/2 + 5/6	1-1740533-6
BLACK/schwarz		0	0	X	X	0	X	X	X	6	25	29.9	-	-	2/3	-	-	1/2 + 5/6	0-1740533-6
-				X	X	X	X	X	X	5	20	24.95	-	-	1/2	-	-	2/3 + 4/5	0-1740533-5
-				X	X	X	X	X	X	4	15	19.9	-	X	-	X	-	1/2 + 3/4	6-1740533-4
-				X	X	X	X	X	X	4	15	19.9	-	-	2/3	-	-	-	5-1740533-4
-				X	X	X	X	X	X	4	15	19.9	-	-	1/2	-	-	-	4-1740533-4
BROWN/braun				X	X	X	X	X	X	4	15	19.9	-	-	3/4	-	X	1/2 + 2/3	3-1740533-4
BROWN/Braun				X	X	X	X	X	X	4	15	19.9	-	-	2/3	-	X	1/2 + 3/4	2-1740533-4
BLUE/blau				X	X	X	X	X	X	4	15	19.9	-	-	2/3	X	-	1/2 + 3/4	1-1740533-4
BROWN/braun				X	X	0	X	X	X	4	15	19.9	-	-	2/3	-	X	1/2 + 3/4	0-1740533-4
BLUE/blau				X	X	X	X	X	X	3	10	14.9	-	X	-	X	-	1/2 + 2/3	8-1740533-3
-				X	X	X	X	X	X	3	10	14.9	-	-	1/2	-	-	-	7-1740533-3
-				X	X	X	X	X	X	3	10	14.9	-	-	2/3	-	-	-	6-1740533-3
-				X	X	X	X	X	X	3	10	14.9	-	-	1/2	-	-	2/3	5-1740533-3
BLACK/Schwarz				X	X	X	0	X	X	3	10	14.9	-	-	1/2	-	X	2/3	4-1740533-3
BLACK/schwarz				0	X	X	X	X	X	3	10	14.9	-	-	1/2	-	X	2/3	3-1740533-3
-				X	X	X	X	X	X	3	10	14.9	-	X	-	-	-	1/2 + 2/3	2-1740533-3
-				X	X	X	X	X	X	3	10	14.9	-	X	-	X	-	1/2 + 2/3	1-1740533-3
BLACK/schwarz				X	X	X	X	X	X	3	10	14.9	-	-	2/3	-	X	1/2	0-1740533-3
-				X	X	X	X	X	X	2	5	9.9	-	X	-	X	-	1/2	2-1740533-2
RED/rot				X	X	X	X	X	X	2	5	9.9	-	-	-	-	X	1/2	1-1740533-2
GREEN/gruen				X	X	X	X	X	X	2	5	9.9	-	-	-	-	X	1/2	0-1740533-2
COLOUR/Farbe	9	8	7	6	5	4	3	2	1	POS.	DIM A	DIM B	DIM C	KEYING	KEYING	KEYING	KEYING	LOCKING HOOK	PN
	24									Polzahl				13	7	6	5	8	Bestell-Nr.
										CAVITY NO. LOADED/Kammer Nr. bestueckt									

THIS DRAWING IS A CONTROLLED DOCUMENT. DIMENSIONS: mm. TOLERANCES UNLESS OTHERWISE SPECIFIED: 0 PLC ±0.2, 1 PLC ±0.2, 2 PLC ±0.2, 3 PLC ±0.2, 4 PLC ±0.2, ANGLES FINISH ±0.2°.

APPROVED: SUDHAKAR 28OCT2013. NAME: RAJENDRA 28OCT2013. PRODUCT SPEC: 108-18750 APPLICATION SPEC. WEIGHT: 116-18996. SCALE: 5:1. SHEET 3 OF 3. REV 15.

STE TE Connectivity. AMP DUOPLUG POWER FEMALE CONNECTOR 2-9 POSITION (WITH PCB LOCKING). CUSTOMER DRAWING.