



Chipsmall Limited consists of a professional team with an average of over 10 year of expertise in the distribution of electronic components. Based in Hongkong, we have already established firm and mutual-benefit business relationships with customers from,Europe,America and south Asia,supplying obsolete and hard-to-find components to meet their specific needs.

With the principle of “Quality Parts,Customers Priority,Honest Operation,and Considerate Service”,our business mainly focus on the distribution of electronic components. Line cards we deal with include Microchip,ALPS,ROHM,Xilinx,Pulse,ON,Everlight and Freescale. Main products comprise IC,Modules,Potentiometer,IC Socket,Relay,Connector.Our parts cover such applications as commercial,industrial, and automotives areas.

We are looking forward to setting up business relationship with you and hope to provide you with the best service and solution. Let us make a better world for our industry!



## Contact us

Tel: +86-755-8981 8866 Fax: +86-755-8427 6832

Email & Skype: info@chipsmall.com Web: www.chipsmall.com

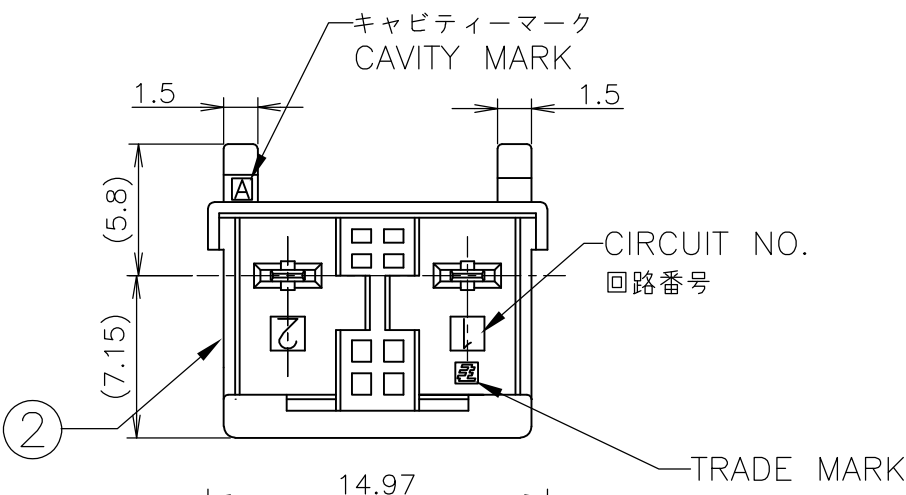
Address: A1208, Overseas Decoration Building, #122 Zhenhua RD., Futian, Shenzhen, China



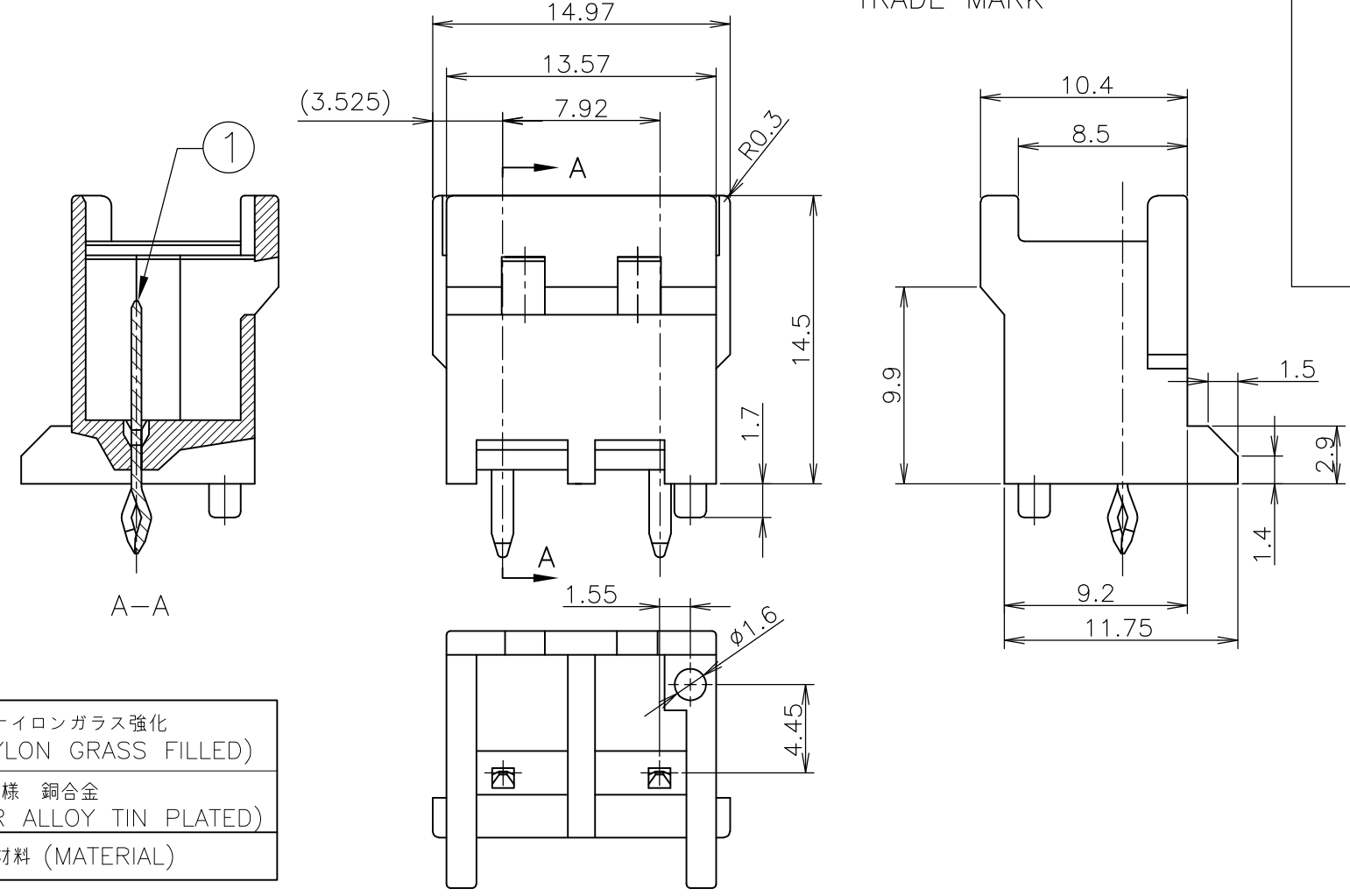
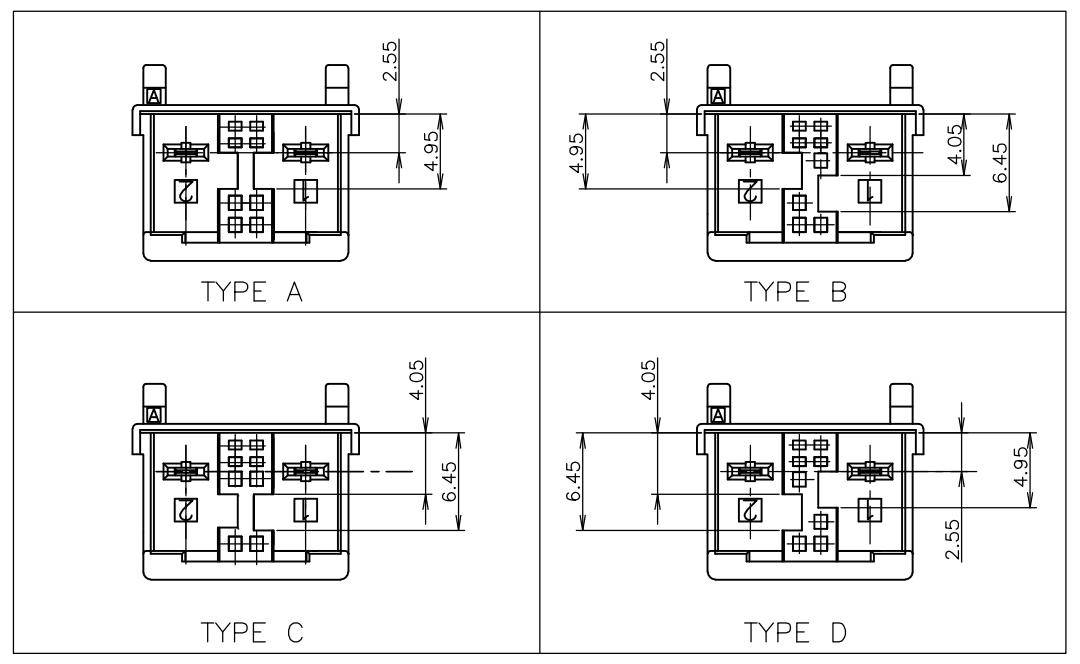
THIS DRAWING IS UNPUBLISHED. RELEASED FOR PUBLICATION JAN, 2008.  
 © COPYRIGHT 2008 BY TYCO ELECTRONICS CORPORATION. ALL INTERNATIONAL RIGHTS RESERVED.

LOC	DIST	REVISIONS					
J	/	P	LTR	DESCRIPTION	DATE	DWN	APVD
		C	REVISED	ECR-10-012442	10JUN2010	T.T	T.M

- ① 取付穴寸法
  - ② 適応基板厚: 1.6t
  - ③ かん合相手製品型番:  
プラグハウジング: SEE TABLE
  - ④ 青色については色むらができる可能性があります。
- RECOMMENDED P.C.B LAY OUT  
 APPLICABLE P.C.B. THICKNESS: 1.6  
 MATING CONN. P/N  
 PLUG HOUSING: SEE TABLE  
 UNEVEN COLORING MAY COME OUT OF BLUE.

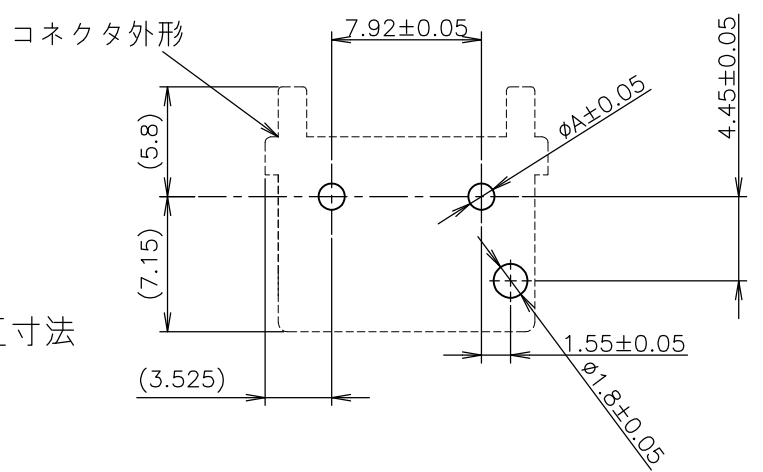


KEYING TYPE



②	ヘッダーハウジング (HEADER HOUSING)	6/6ナイロンガラス強化 (6/6 NYLON GLASS FILLED)
①	タブ (TAB)	錫めっき仕様 銅合金 (COPPER ALLOY TIN PLATED)
NO.	名称 (NAME)	材料 (MATERIAL)

パンチ加工 (PUNCHED HOLE)	1.25
ドリル加工 (DRILLED HOLE)	1.4
	A 寸法



プリント基板推奨穴加工寸法  
 ①

THIS DRAWING IS A CONTROLLED DOCUMENT.

DWN	LILY LIU	29JAN2008	Tyco Electronics Corporation Kawasaki, Japan
CHK	A.OISHI	29JAN2008	
APVD	S.MANABE	29JAN2008	
NAME	GRACE INERTIA CONNECTOR 7.92MM PITCH HEADER ASSEMBLY 2P		
DIMENSIONS:	TOLERANCES UNLESS OTHERWISE SPECIFIED:		PRODUCT SPEC
単位: 耗 mm	一般公差		製品規格
0 PLC	± 0.3		108-5990
1 PLC	± 0.3		APPLICATION SPEC
2 PLC	± 0.3		取付適用規格
3 PLC	± 0.2		SIZE
4 PLC	± -		CAGE CODE
ANGLES	± 2'		DRAWING NO
MATERIAL	FINISH	仕上	RESTRICTED TO
材料	SEE TABLE		A3 00779 G-1747052
CUSTOMER DRAWING			SCALE
			尺度 3:1
			SHEET
			1 OF 2
			REV
			C

THIS DRAWING IS UNPUBLISHED. RELEASED FOR PUBLICATION JAN , 2008.  
 © COPYRIGHT 2008 BY TYCO ELECTRONICS CORPORATION. ALL INTERNATIONAL RIGHTS RESERVED.

LOC	DIST	REVISIONS 変更					
J	/	P	LTR	DESCRIPTION	DATE	DWN	APVD
			-	SEE SHEET 1	-	-	-

3-1747050-5	キンク有 WITH KINK	TYPE D	緑色 GREEN	2極 2POS	3-1747052-5
3-1747050-4	キンク有 WITH KINK	TYPE D	黄色 YELLOW	2極 2POS	3-1747052-4
3-1747050-3	キンク有 WITH KINK	TYPE D	青色 BLUE	2極 2POS	3-1747052-3
3-1747050-2	キンク有 WITH KINK	TYPE D	赤色 RED	2極 2POS	3-1747052-2
3-1747050-1	キンク有 WITH KINK	TYPE D	自然色 NATURAL	2極 2POS	3-1747052-1
2-1747050-5	キンク有 WITH KINK	TYPE C	緑色 GREEN	2極 2POS	2-1747052-5
2-1747050-4	キンク有 WITH KINK	TYPE C	黄色 YELLOW	2極 2POS	2-1747052-4
2-1747050-3	キンク有 WITH KINK	TYPE C	青色 BLUE	2極 2POS	2-1747052-3
2-1747050-2	キンク有 WITH KINK	TYPE C	赤色 RED	2極 2POS	2-1747052-2
2-1747050-1	キンク有 WITH KINK	TYPE C	自然色 NATURAL	2極 2POS	2-1747052-1
1-1747050-5	キンク有 WITH KINK	TYPE B	緑色 GREEN	2極 2POS	1-1747052-5
1-1747050-4	キンク有 WITH KINK	TYPE B	黄色 YELLOW	2極 2POS	1-1747052-4
1-1747050-3	キンク有 WITH KINK	TYPE B	青色 BLUE	2極 2POS	1-1747052-3
1-1747050-2	キンク有 WITH KINK	TYPE B	赤色 RED	2極 2POS	1-1747052-2
1-1747050-1	キンク有 WITH KINK	TYPE B	自然色 NATURAL	2極 2POS	1-1747052-1
1747050-6	キンク有 WITH KINK	TYPE A	黒色 BLACK	2極 2POS	1747052-6
1747050-5	キンク有 WITH KINK	TYPE A	緑色 GREEN	2極 2POS	1747052-5
1747050-4	キンク有 WITH KINK	TYPE A	黄色 YELLOW	2極 2POS	1747052-4
1747050-3	キンク有 WITH KINK	TYPE A	青色 BLUE	2極 2POS	1747052-3
1747050-2	キンク有 WITH KINK	TYPE A	赤色 RED	2極 2POS	1747052-2
1747050-1	キンク有 WITH KINK	TYPE A	自然色 NATURAL	2極 2POS	1747052-1
かん合相手(プラグ) P/N MATING CONN. P/N	キンク有無 WITH/WITHOUT KINK	キーイングタイプ TYPE OF KEYING	色 COLOR	極数 POS	型番 PART NO.

THIS DRAWING IS A CONTROLLED DOCUMENT.		DWN LILY LIU 29JAN2008	Tyco Electronics Corporation Kawasaki, Japan													
DIMENSIONS: 単位: 耗 mm		CHK A.OISHI 29JAN2008	NAME 名称 GRACE INERTIA CONNECTOR 7.92MM PITCH HEADER ASSEMBLY 2P													
TOLERANCES UNLESS OTHERWISE SPECIFIED: 一般公差		APVD S.MANABE 29JAN2008	PRODUCT SPEC 製品規格 108-5990													
<table border="1"> <tr><td>0 PLC</td><td>± 0.3</td></tr> <tr><td>1 PLC</td><td>± 0.3</td></tr> <tr><td>2 PLC</td><td>± 0.3</td></tr> <tr><td>3 PLC</td><td>± 0.2</td></tr> <tr><td>4 PLC</td><td>± -</td></tr> <tr><td>ANGLES</td><td>± 2'</td></tr> </table>		0 PLC	± 0.3	1 PLC	± 0.3	2 PLC	± 0.3	3 PLC	± 0.2	4 PLC	± -	ANGLES	± 2'	APPLICATION SPEC 取付適用規格		RESTRICTED TO 番号
0 PLC	± 0.3															
1 PLC	± 0.3															
2 PLC	± 0.3															
3 PLC	± 0.2															
4 PLC	± -															
ANGLES	± 2'															
MATERIAL 材料 SEE TABLE	FINISH 仕上	WEIGHT	SIZE A3	CAGE CODE 00779	DRAWING NO C-1747052											
CUSTOMER DRAWING			SCALE 尺度 NTS	SHEET 2 OF 2	REV C											