



Chipsmall Limited consists of a professional team with an average of over 10 year of expertise in the distribution of electronic components. Based in Hongkong, we have already established firm and mutual-benefit business relationships with customers from,Europe,America and south Asia,supplying obsolete and hard-to-find components to meet their specific needs.

With the principle of "Quality Parts,Customers Priority,Honest Operation,and Considerate Service",our business mainly focus on the distribution of electronic components. Line cards we deal with include Microchip,ALPS,ROHM,Xilinx,Pulse,ON,Everlight and Freescale. Main products comprise IC,Modules,Potentiometer,IC Socket,Relay,Connector.Our parts cover such applications as commercial,industrial, and automotives areas.

We are looking forward to setting up business relationship with you and hope to provide you with the best service and solution. Let us make a better world for our industry!



Contact us

Tel: +86-755-8981 8866 Fax: +86-755-8427 6832

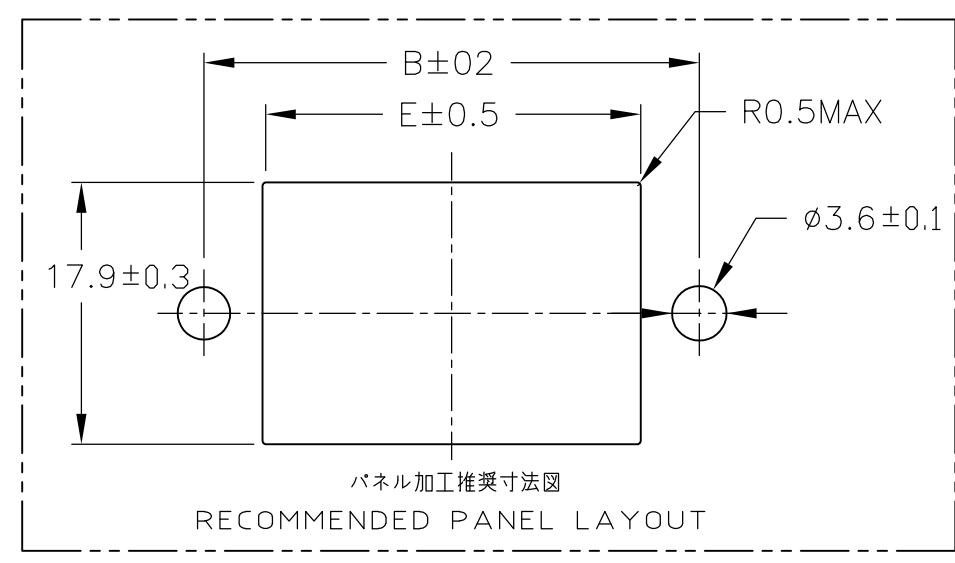
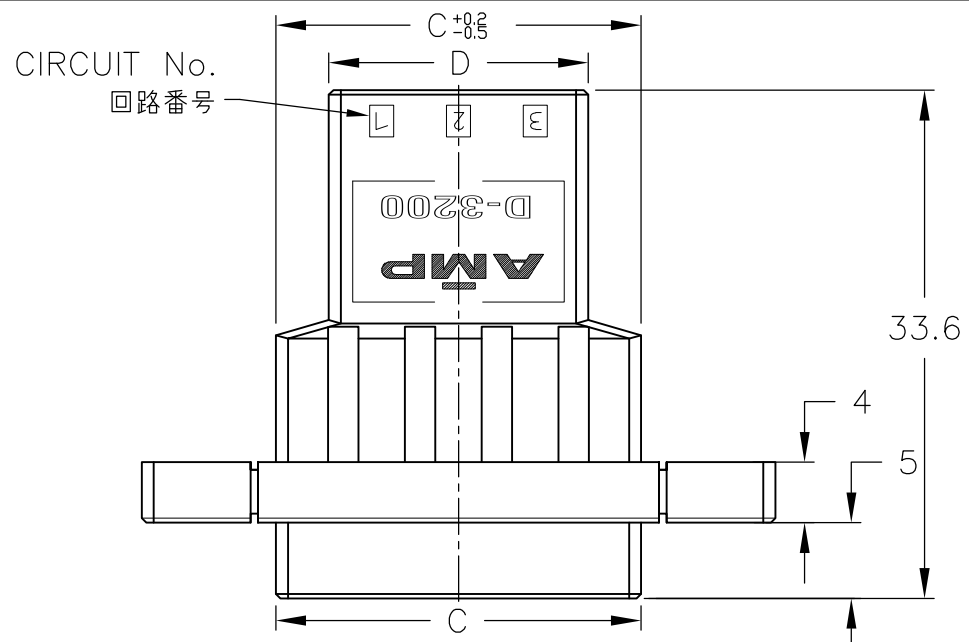
Email & Skype: info@chipsmall.com Web: www.chipsmall.com

Address: A1208, Overseas Decoration Building, #122 Zhenhua RD., Futian, Shenzhen, China

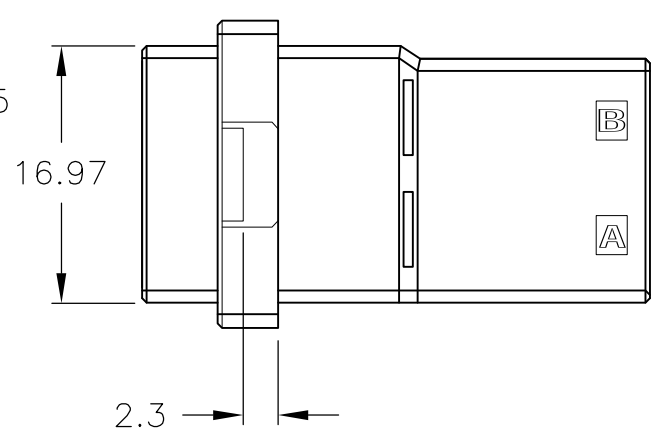
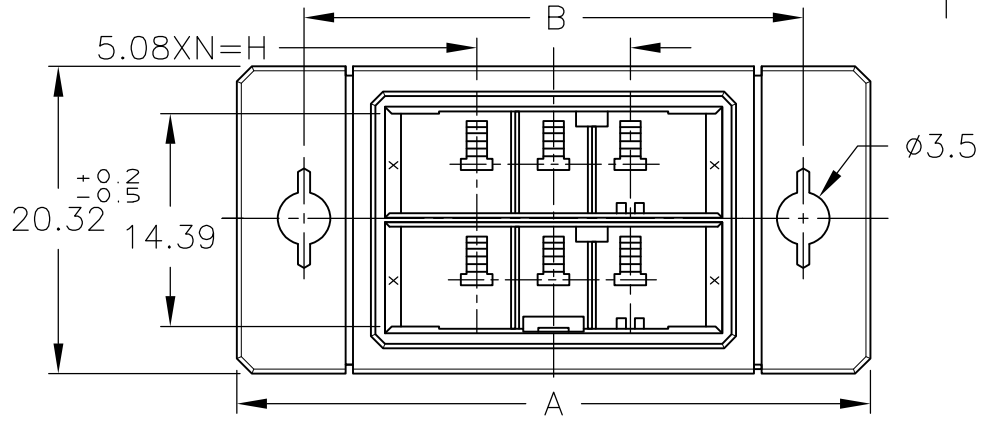


THIS DRAWING IS UNPUBLISHED. RELEASED FOR PUBLICATION
 © COPYRIGHT 1994 By - ALL RIGHTS RESERVED.

LOC	DIST	REVISIONS					
J	-	P	LTR	DESCRIPTION	DATE	DWN	APVD
		E3		REVISED PER ECO-11-005030	11MAR11	RK	HMR

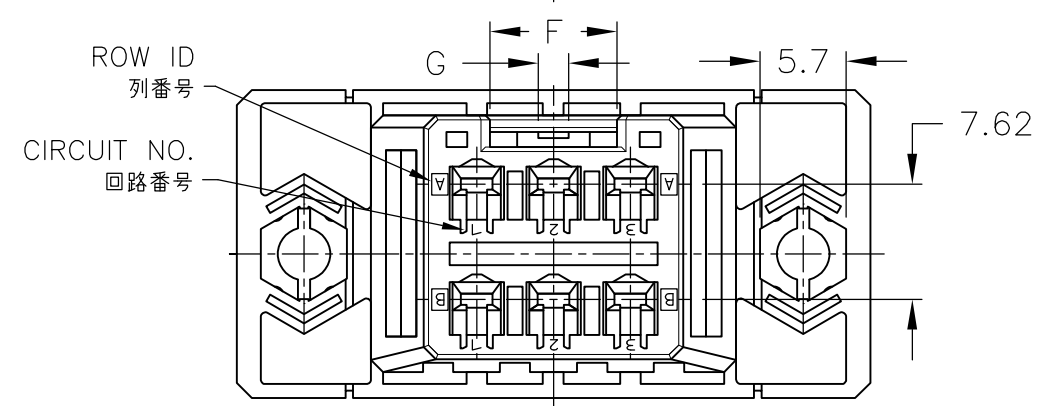
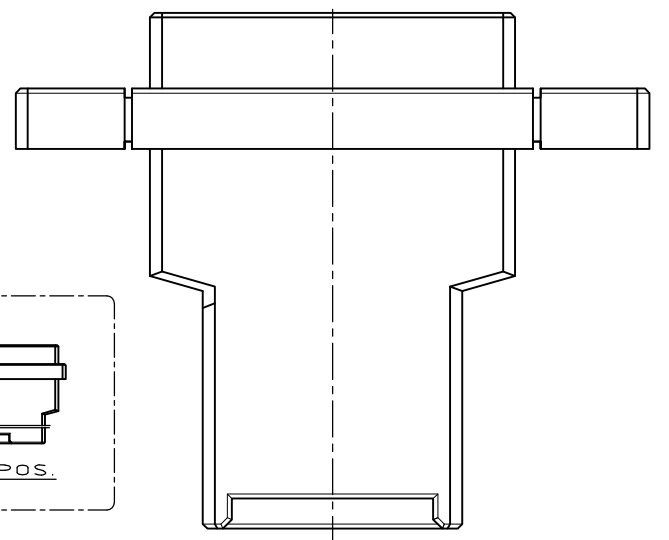
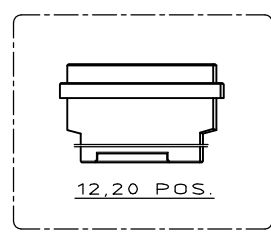


	XX	1-179555-8
	XY	3-179555-6
	YY	2-179555-6
	XX	1-179555-6
	ZZ	4-179555-3
	XY	3-179555-3
	YY	2-179555-3
	XX	1-179555-3
キーイングパターン KEYING PATTERN	キー KEY	型番 PART NUMBER



- 1 MATERIAL:GLASS FILLED THERMO PLASTIC, POLYESTER
COLOR:BLACK
- 2 PANEL ATTACHMENT RECOMMENDATION M3 SCREW
- 1 材料:ガラス入り熱可塑性ポリエステル樹脂 色:黒
- 2 パネル取付推奨ネジ M3

20	78.23	70	59.72	52.72	61	18.4	4	45.72	9	1-179555-8
12	57.91	49	39.40	32.40	41	18.4	4	25.40	5	3-179555-6
12	57.91	49	39.40	32.40	41	18.4	4	25.40	5	2-179555-6
12	57.91	49	39.40	32.40	41	18.4	4	25.40	5	1-179555-6
6	41.91	33	24.16	17.00	25	8.4	2	10.16	2	4-179555-3
6	41.91	33	24.16	17.16	25	8.4	2	10.16	2	3-179555-3
6	41.91	33	24.16	17.16	25	8.4	2	10.16	2	2-179555-3
6	41.91	33	24.16	17.16	25	8.4	2	10.16	2	1-179555-3
極数 POS.	A	B	C	D	E	F	G	H	N	型番 PART NUMBER



THIS DRAWING IS A CONTROLLED DOCUMENT.

DWN	N.MATSUBARA	31JAN1994
CHK	S.MANABE	1FEB1994
APVD	S.MANABE	1FEB1994
PRODUCT SPEC	108-5349	
APPLICATION SPEC	114-5148	
WEIGHT	A3 00779 C-179555	

STE TE Connectivity

NAME: パネルマウントタイプ タブハウジング ダイナミック 3200シリーズ
 WIRE TO WIRE TAB HSG FOR DYNAMIC D-3200
 PANEL MOUNT TYPE

SIZE: A3 CAGE CODE: 00779 DRAWING NO: C-179555 RESTRICTED TO: -

CUSTOMER DRAWING SCALE: 2:1 SHEET: 1 OF 1 REV: E3